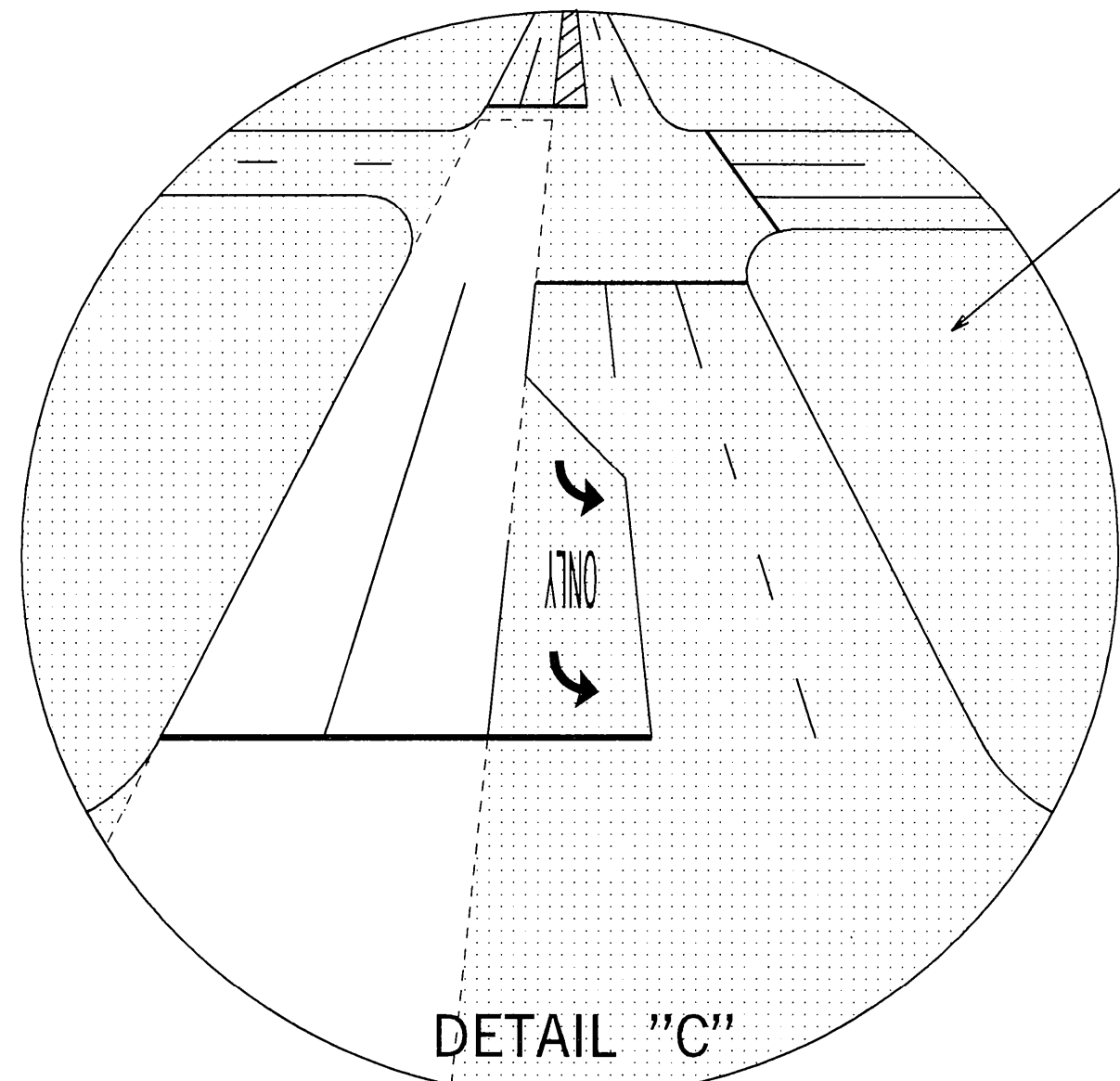
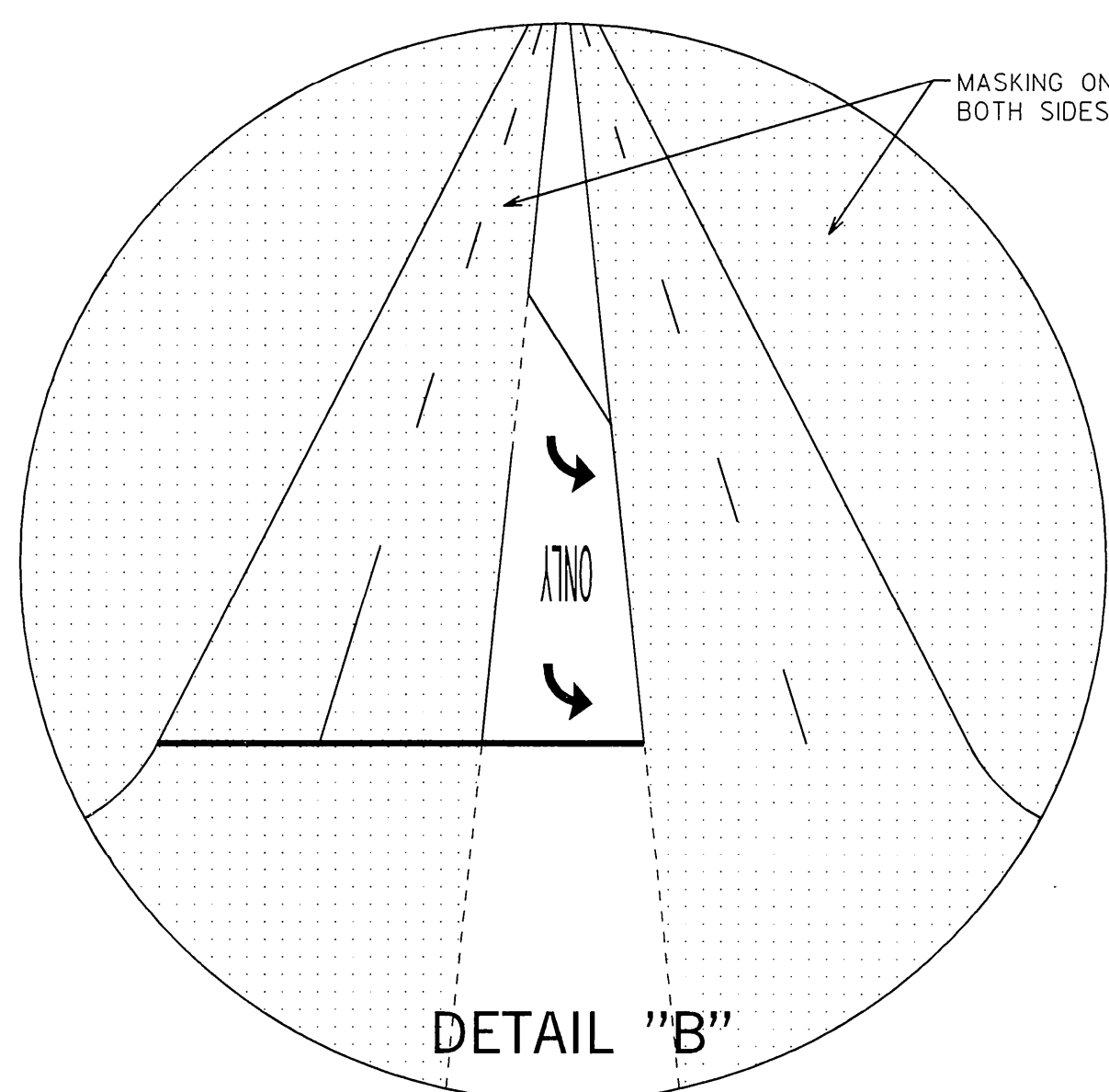


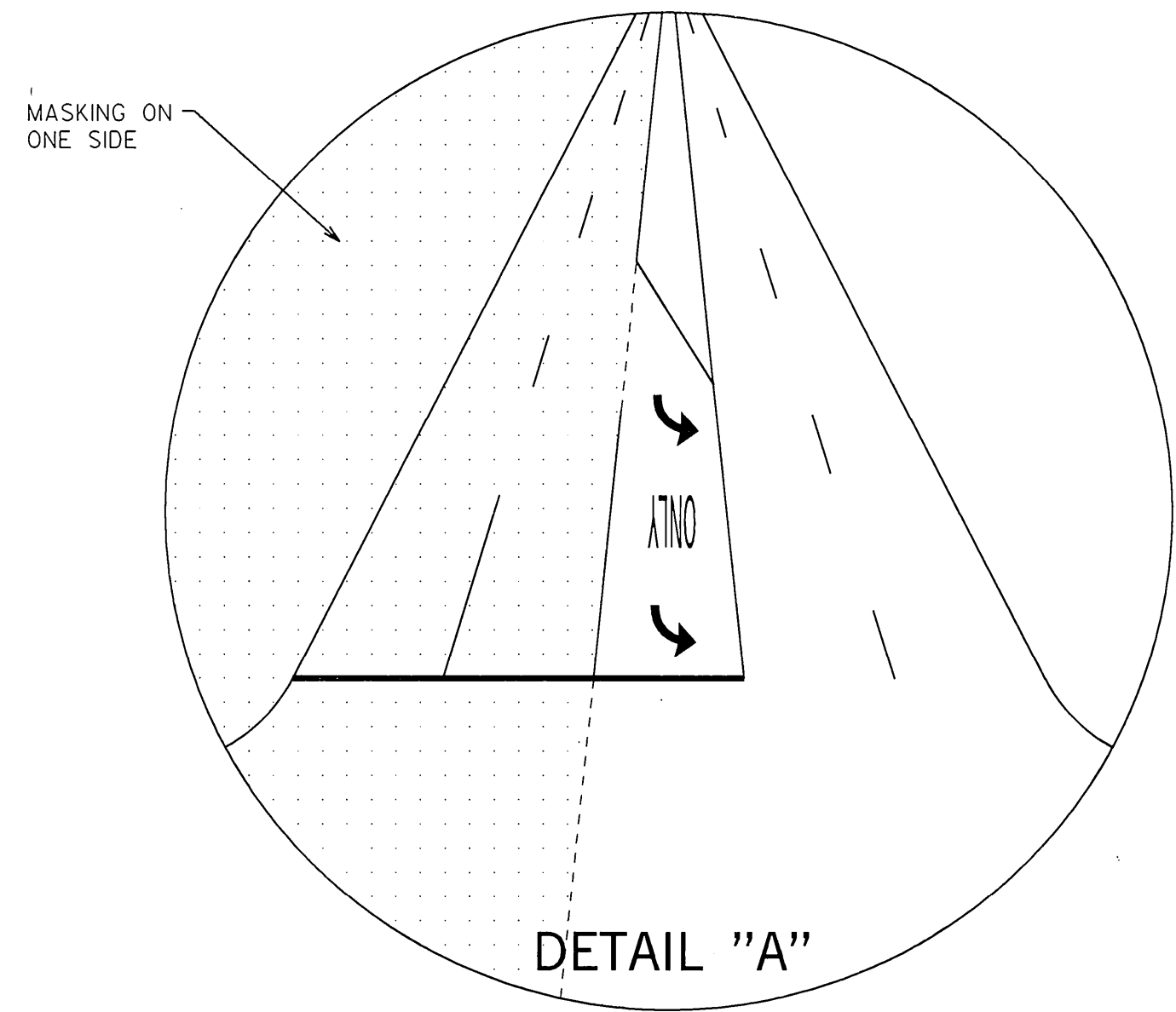
DESCRIPTION	REVISIONS	DATE



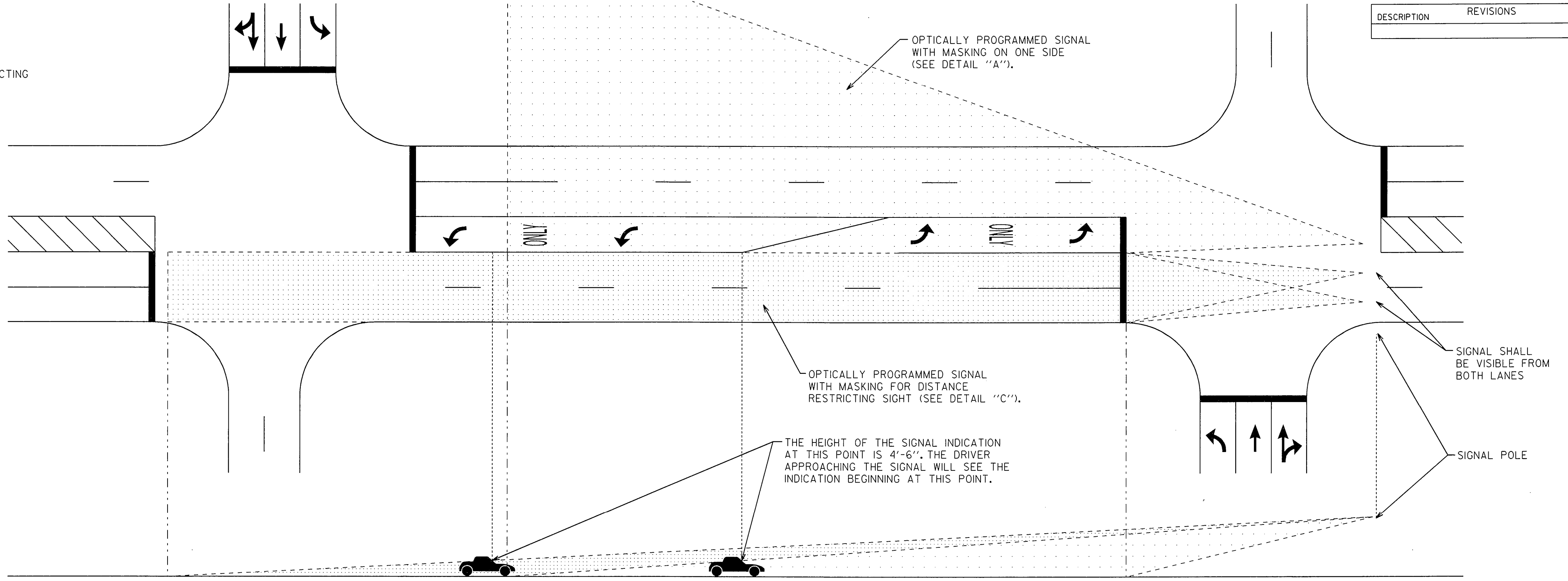
MASKING FOR RESTRICTING SIGHT DISTANCE



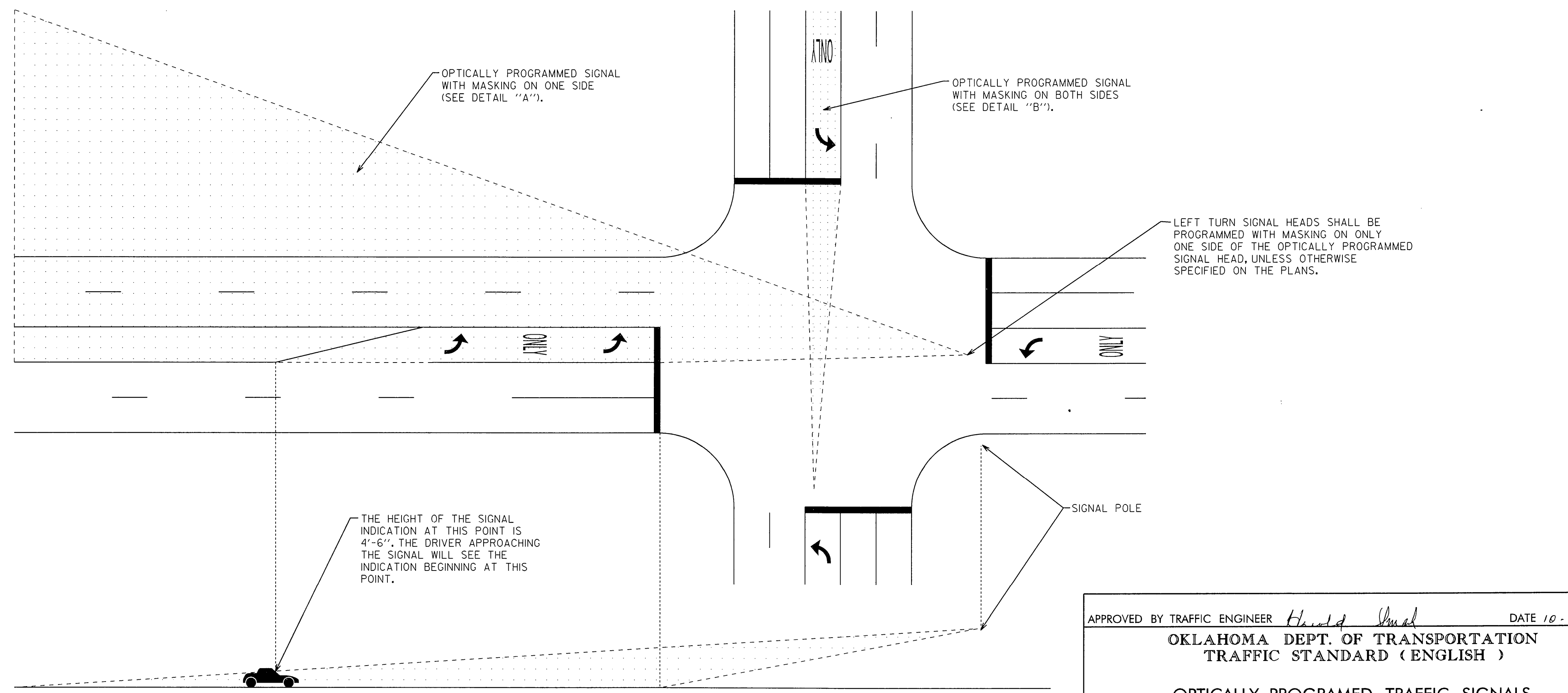
MASKING ON BOTH SIDES



MASKING ON ONE SIDE



TYPICAL OPTICALLY PROGRAMMED SIGNAL HEADS AT A DIAMOND INTERCHANGE



TYPICAL OPTICALLY PROGRAMMED SIGNAL HEAD FOR LEFT TURN LANES

APPROVED BY TRAFFIC ENGINEER *Harold Good* DATE 10-1-99

OKLAHOMA DEPT. OF TRANSPORTATION
TRAFFIC STANDARD (ENGLISH)

OPTICALLY PROGRAMED TRAFFIC SIGNALS

1999 SPECIFICATIONS

OPTS1-1 00E
T-437E