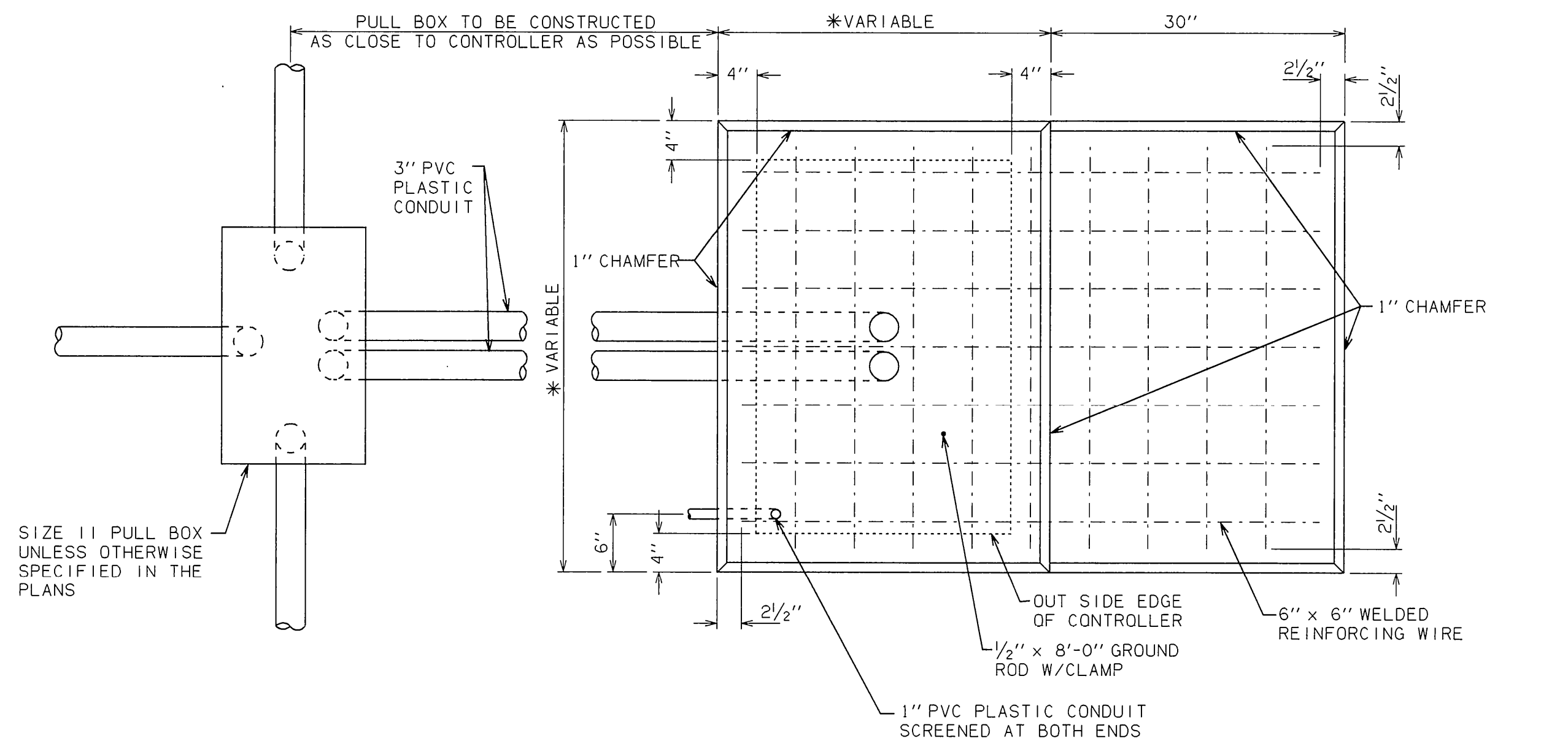
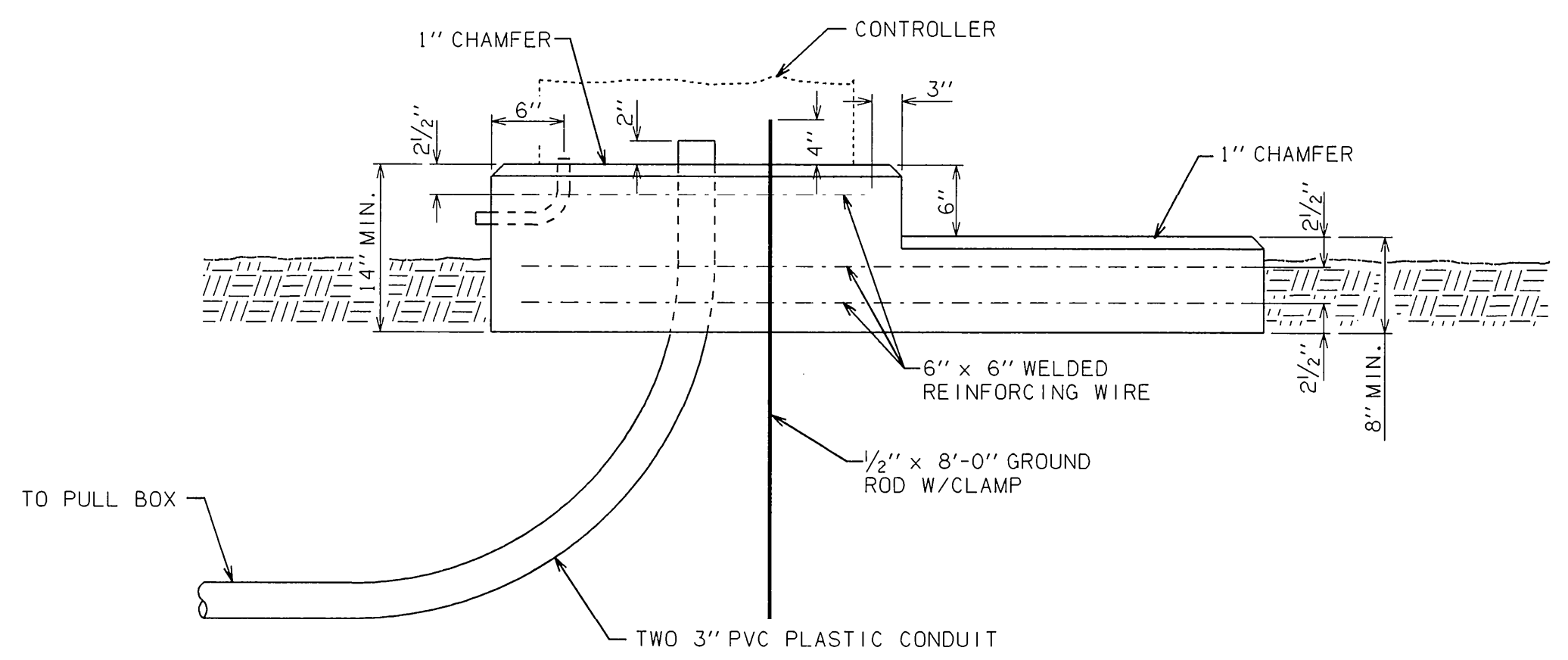


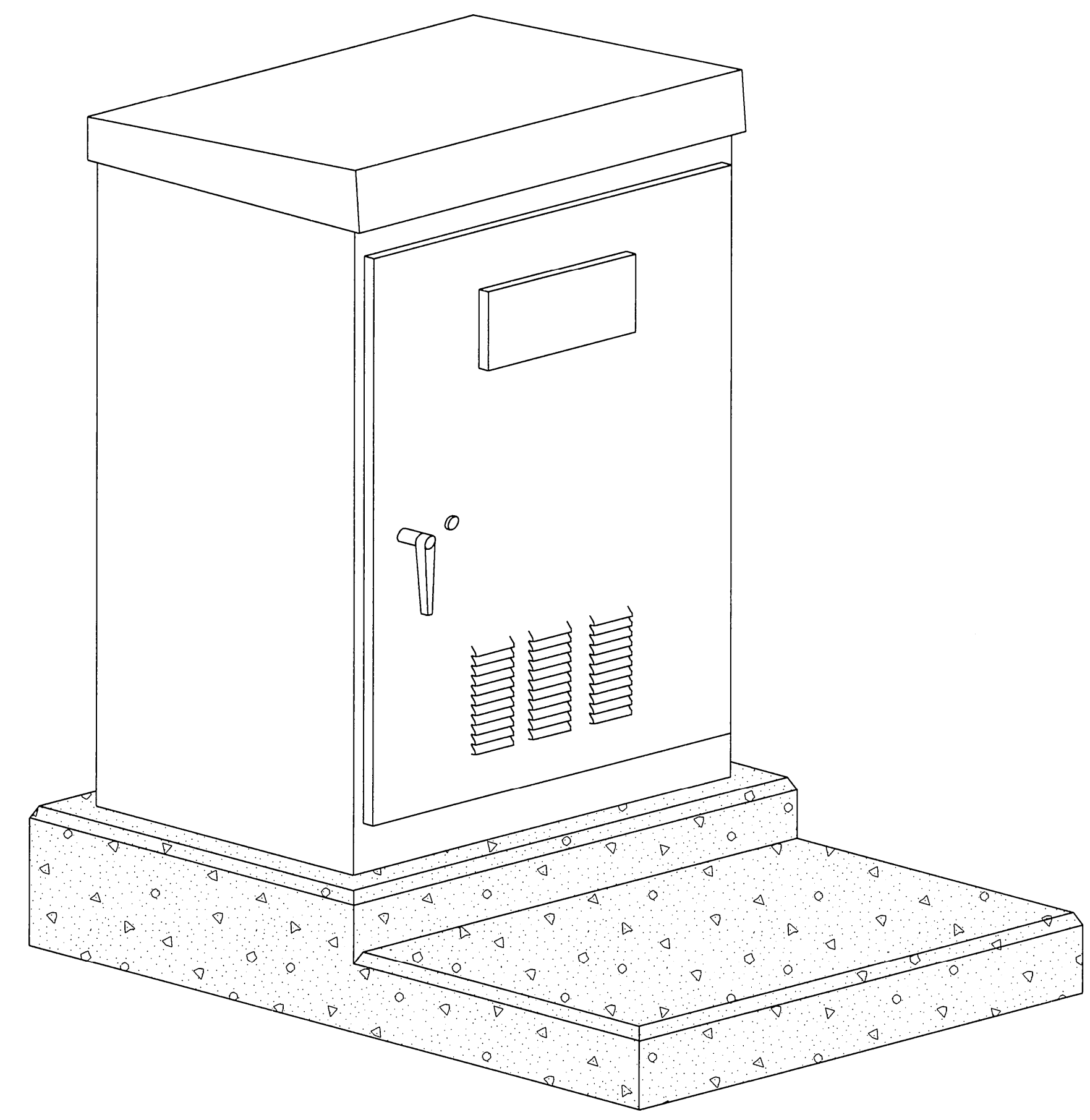
DESCRIPTION	REVISIONS	DATE



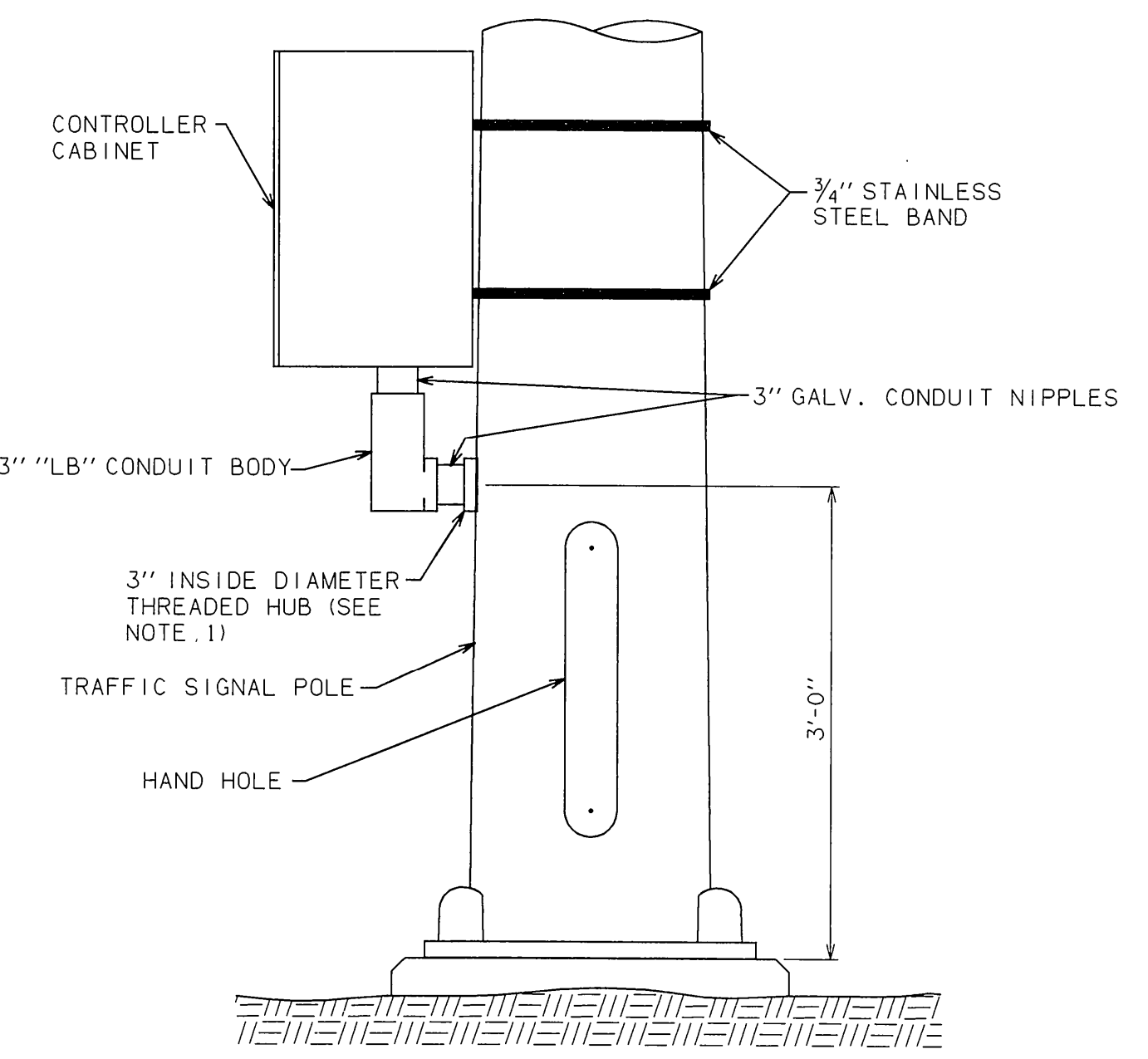
**TOP VIEW**  
 \* VARIABLE DIMENSIONS WILL BE DETERMINED BY THE SIZE OF CONTROLLER REQUIRED FOR THIS PROJECT



**SIDE VIEW**  
**CONCRETE CONTROLLER PAD DETAIL**



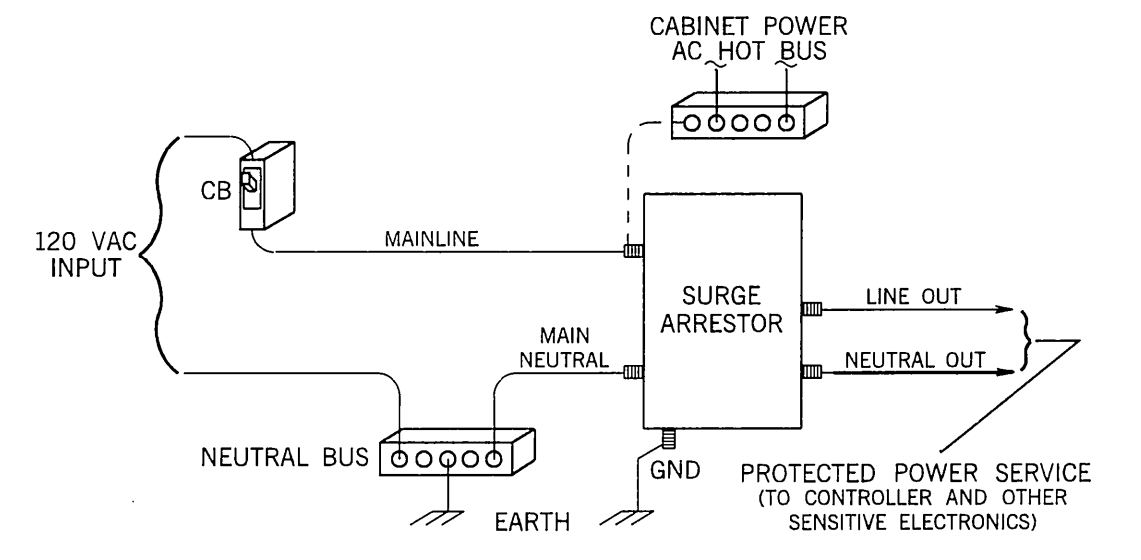
**TYPICAL CONTROLLER CABINET INSTALLATION**



**TYPICAL POLE MOUNTED CONTROLLER CABINET**

- MATERIAL SPECIFICATIONS**
- MATERIALS REQUIRED FOR THE CONTROLLER CABINET FOUNDATION, AND ALL PERTINENT EQUIPMENT AND ASSEMBLY SHALL BE INCLUDED IN THE PRICE BID FOR THE CONTROLLER.
  - THE CONTROLLER CABINET FOUNDATION SHALL BE CLASS "A" CONCRETE.
  - A MINIMUM OF 4 EXPANSION BOLTS ARE REQUIRED, 1/2" x 4 1/2" STAINLESS STEEL KWIK BOLT WITH A MIN. EMBEDMENT OF 3/4". SHALL BE USED TO MOUNT THE CONTROLLER CABINET TO THE CONCRETE PAD.
  - THE CONTROLLER CABINET SHALL BE INSTALLED ON TOP OF SILICANT RUBBER CAULKING COMPOUND FOR WEATHERPROOFING OF THE CABINET.
  - MINIMUM PAD MOUNTED CONTROLLER CABINET SIZE SHALL BE 3'-2 1/2" x 4'-6" x 2'-2" (W x H x D). CABINETS SHALL BE MANUFACTURED WITH TWO DOOR UNLESS OTHERWISE SPECIFIED IN THE PLANS.
  - 1/C NO. 6 AWG ELECTRICAL CONDUCTOR SHALL BE USED TO SUPPLY POWER FROM THE POWER SOURCE(S) TO THE CONTROLLER.
  - 1/C NO. 10 AWG SOLID BARE COPPER WIRE SHALL BE USED TO GROUND THE CONTROLLER CABINET TO THE GROUND ROD.
  - ALL ELECTRIC CONNECTIONS SHALL BE MADE WITH BURDY HYLUG OR AN APPROVED EQUAL.
  - A SURGE ARRESTOR SHALL BE FURNISHED IN EACH TRAFFIC SIGNAL CONTROLLER. THE ARRESTOR REQUIREMENTS ARE AS FOLLOWS:
 

PEAK CURRENT.....	20,000 AMPS
	(8 x 20 US WAVESHAPE)
LIFE TEST.....	5% CHANGE
	(VOLTAGE CLAMP BEFORE AND AFTER
	25 SURGES OF 20KA WAVESHAPE)
CLAMP VOLTAGE.....	250 V. TYPE 0 20KA
RESPONSE TIME.....	VOLTAGE NEVER EXCEEDS
	250 VOLTS DURING SURGE
CONTINUOUS SERVICE CURRENT.....	10 AMPS MAX.; 120 VAC. 60HZ
DIMENSION (INCHES).....	3.13 x 7.15 x 2.3
	(NOT INCLUDING GND)(W x L x H)
OPERATING TEMPERATURE.....	-40C TO +85C



- GENERAL NOTES**
- THE POLE SHALL BE MANUFACTURED WITH A 3" INSIDE DIAMETER THREADED HUB. THIS HUB SHALL BE MADE AND INSTALLED TO MAINTAIN THE DESIGN STRENGTH OF THE POLE.

APPROVED BY TRAFFIC ENGINEER *Harold Smith* DATE 10-1-99

OKLAHOMA DEPT. OF TRANSPORTATION  
 TRAFFIC STANDARD (ENGLISH)

CONTROLLER CABINET DETAILS

1999 SPECIFICATIONS	CC1-1	00E T-432E
---------------------	-------	---------------