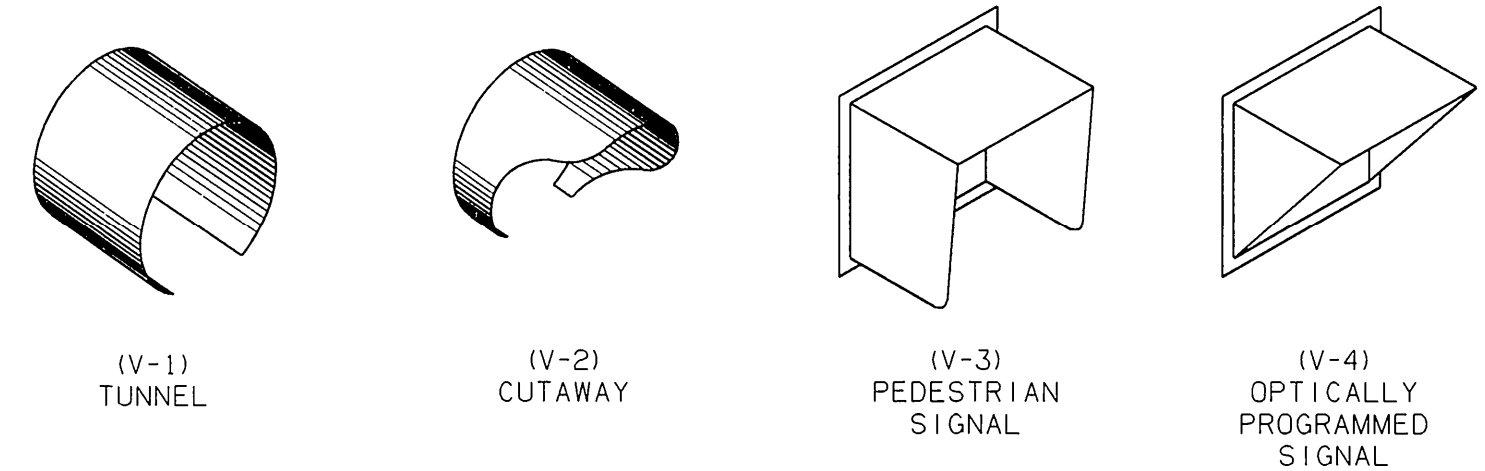
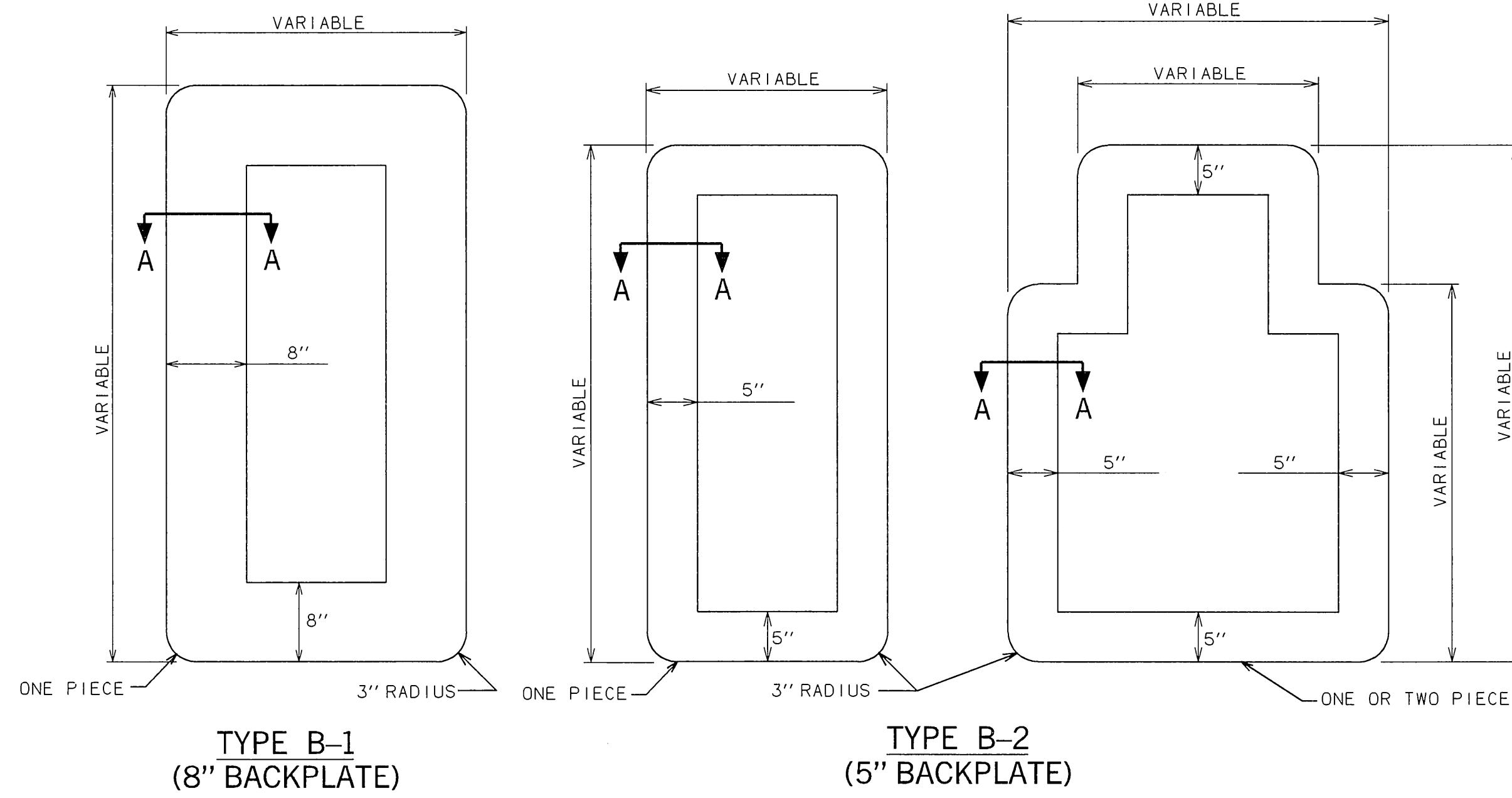
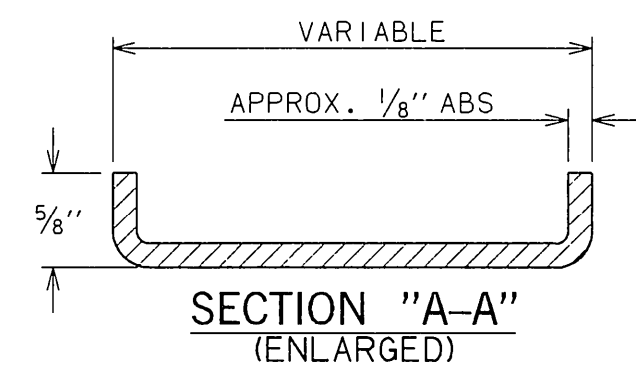


SIGNAL FACE TYPES

R = RED
 Y = YELLOW
 G = GREEN



VISOR TYPES

GENERAL NOTES

- ALL TRAFFIC SIGNAL AND PEDESTRIAN SIGNAL HEADS SHALL BE FURNISHED WITH GLASS LENSES, UNLESS OTHERWISE SPECIFIED. THE LENSES SHALL CONFORM TO THE LATEST STANDARD OF THE INSTITUTE OF TRANSPORTATION ENGINEERS.
- BACKPLATES SHALL BE INSTALLED WITH TWO RIVETS AND/OR SCREWS PER SECTION, A MINIMUM OF SIX PER SIGNAL, OR AS RECOMMENDED BY THE MANUFACTURER.
- VACUUM FORMED BACKPLATES SHALL BE USED ON ALL STANDARD TRAFFIC SIGNAL HEADS.

APPROVED BY TRAFFIC ENGINEER *Handwritten Signature* DATE 10-1-99

**OKLAHOMA DEPT. OF TRANSPORTATION
 TRAFFIC STANDARD (ENGLISH)**

TRAFFIC SIGNALS AND ACCESSORIES

1999 SPECIFICATIONS	SA1-1	00E
		T-406E