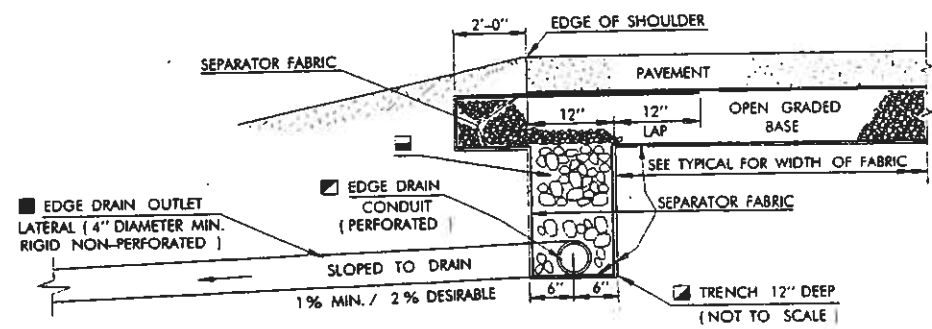


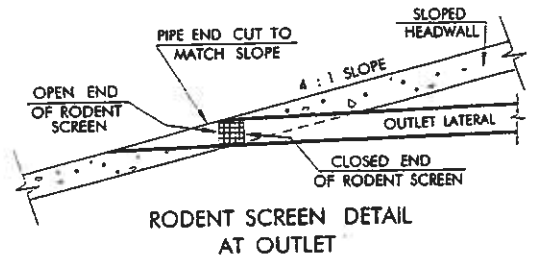
DESCRIPTION	REVISIONS	DATE
RE-ISSUE W/METRIC 1999 SPECS. Wire Mesh Head, Specs & Note, Add Outlet Lateral Sump Detail, Pay Item Note lgc 7/99		



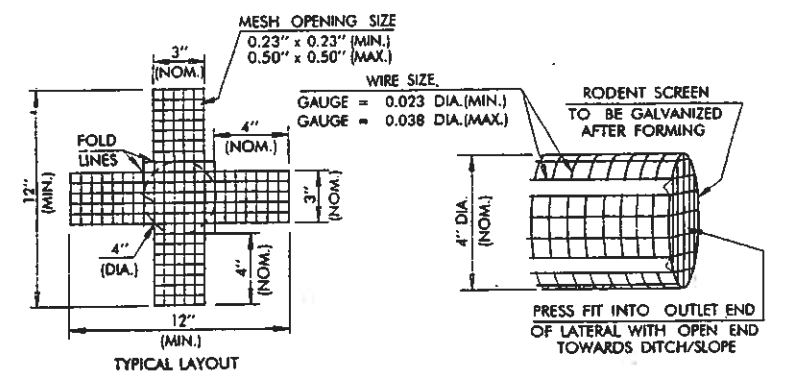
TYPICAL SECTION

PAVEMENT EDGE DRAIN: NEW CONSTRUCTION

- THE PERFORATED PIPE USED AS EDGE DRAIN CONDUIT SHALL BE PLACED ON TOP OF SEPARATOR MATERIAL IN BOTTOM OF 12" X 12" TRENCH.
- COST OF TRENCH EXCAVATION TO BE INCLUDED IN PRICE BID FOR THE PERFORATED EDGE DRAIN CONDUIT. (SEE GENERAL NOTES FOR EDGE DRAIN LATERAL TRENCHING.) SEPARATOR FABRIC SHALL MEET THE MINIMUM REQUIREMENTS OF THE 1999 ENGLISH STANDARD SPECIFICATIONS, SECTION 325.
- FLOW CAPACITY OF OUTLET LATERAL TO BE EQUAL OR GREATER THAN FLOW CAPACITY OF EDGE DRAIN CONDUIT, I.E., EQUIVALENT DIAMETERS (MIN.).
- AGGREGATE COVER MATERIAL MEETING MINIMUM REQUIREMENTS OF THE 1999 ENGLISH STANDARD SPECIFICATIONS, SECTION 701.06, AGGREGATE NO. 57. COST OF AGGREGATE COVER MATERIAL TO BE INCLUDED IN PRICE BID FOR PERFORATED EDGE DRAIN CONDUIT.

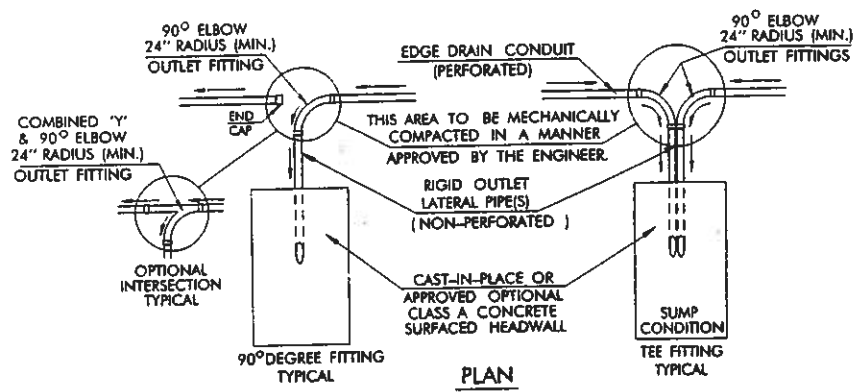


RODENT SCREEN DETAIL AT OUTLET

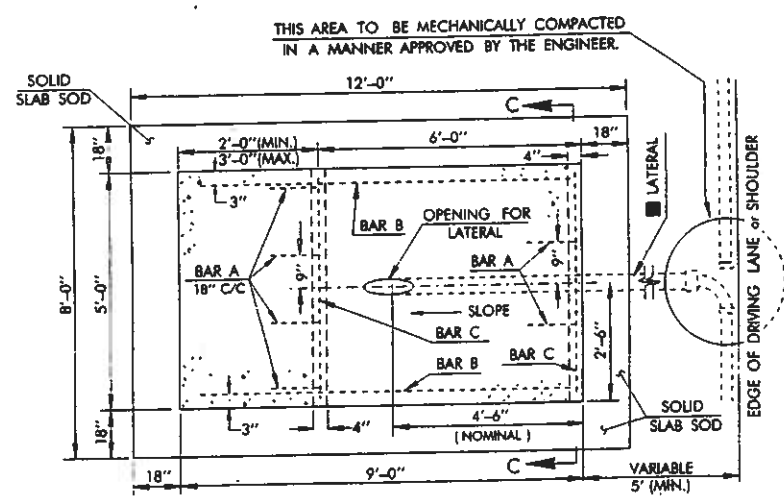


RODENT SCREEN DETAIL

THIS RODENT SCREEN DETAIL IS TYPICAL ONLY AND OTHER DESIGN LAYOUT PATTERNS MAY BE ALLOWED IF APPROVED BY THE ENGINEER. NO TOLERANCE SHALL BE ALLOWED ON MATERIAL SPECIFICATIONS. RODENT SCREEN DIMENSIONS WILL CHANGE PROPORTIONATELY FOR ALTERNATE SIZE OUTLET LATERAL CONDUIT.

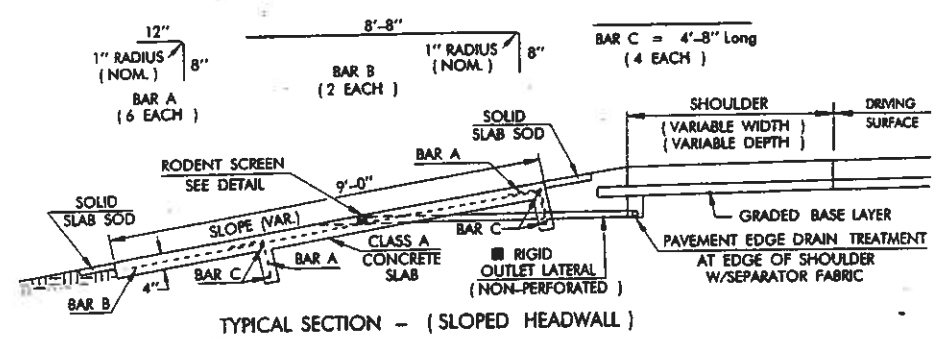


OUTLET LATERAL CONNECTIONS



TOP VIEW

NOTE: OPENING FOR LATERAL PIPE WILL VARY IN SIZE AND SHAPE, DEPENDING ON THE SIZE OF THE OUTLET LATERAL PIPE AND THE SLOPE OF THE STRUCTURE. THE OUTLET LATERAL PIPE SHALL BE CUT TO CONFORM TO THE TOP SURFACE OF THE OUTLET HEADWALL.



PAVEMENT EDGE DRAIN AT EDGE OF SHOULDER W/CAST-IN-PLACE CONCRETE OUTLET HEADWALL

PRICE BID FOR CAST-IN-PLACE OUTLET HEADWALL INCLUDES SURFACE PREPARATION, CLASS A CONCRETE, REINFORCING STEEL, LABOR AND ANY INCIDENTALS NECESSARY FOR CONSTRUCTION.

CLASS A CONCRETE SHALL MEET REQUIREMENTS OF SECTION 509 OF THE 1999 ENGLISH STANDARD SPECIFICATIONS AND HAVE A ROUGHENED, BRUSHED SURFACE TEXTURE.

CONSTRUCTION QUANTITIES FOR ONE CONCRETE HEADWALL WITH CURTAIN WALLS EQUALS 0.64 CUBIC YARDS OF CLASS A CONCRETE AND 28.7 LBS OF STEEL.

ALL REINFORCING STEEL SHALL BE NO. 4 DEFORMED BARS AND MEET MINIMUM REQUIREMENTS OF SECTION 511 OF THE 1999 ENGLISH STANDARD SPECIFICATIONS.

SOLID SLAB SODDING ESTIMATED AT 5.7 SQ. YD. PER MAT LOCATION SHALL BE INCLUDED FOR PAYMENT IN THE PRICE BID FOR THE OUTLET HEADWALL.

GENERAL NOTES

- ALL CONSTRUCTION AND MATERIAL REQUIREMENTS SHALL BE IN ACCORDANCE WITH THE 1999 ENGLISH STANDARD SPECIFICATIONS.
- INSTALLATION OF OUTLET LATERAL PIPES SHOULD BE SCHEDULED CONCURRENT WITH THE INSTALLATION OF PAVEMENT EDGE DRAIN.
- PAVEMENT EDGE DRAIN CONDUIT SHALL NOT BE LEFT IN PLACE LONGER THAN 72 HOURS WITHOUT BEING CONNECTED TO OUTLET LATERAL PIPES.
- OUTLET ELBOWS (90°) SHALL BE USED WHEN PIPE EDGE DRAIN SLOPE EXCEEDS TWO (2) PERCENT.
- SOLID SLAB SODDING TO BE INCLUDED IN PRICE BID FOR OUTLET HEADWALL.
- OUTLET LATERAL SHALL BE PLACED NEAREST TO LOW POINT IN SAG AREAS.
- CONNECTION OF THE OUTLET LATERAL PIPE TO THE OUTLET FITTING SHALL BE DONE IN A MANNER APPROVED BY THE ENGINEER. COST OF ALL CAPS, FITTINGS, LATERAL PIPE, BONDING MATERIALS, RODENT SCREENS, TRENCHING AND BACKFILLING NEEDED TO INSTALL OUTLET LATERAL PIPE SHALL BE INCLUDED IN THE PRICE BID FOR EDGE DRAIN OUTLET LATERAL (NON-PERFORATED).
- EDGE DRAINS AND OUTLET LATERALS SHALL BE LOCATED ON LOW SIDE OF SUPER ELEVATED SECTIONS AT CURVES.

BASIS OF PAYMENT

ITEM NO.	ITEM	UNIT
653.06(A)	EDGE DRAIN CONDUIT - PERFORATED	L.F.
653.06(B)	EDGE DRAIN OUTLET LATERAL - NONPERFORATED	L.F.
653.06(C)	OUTLET LATERAL HEADWALL	EA.
325.06	SEPARATOR FABRIC	S.Y.

▲ THE DIMENSIONS OF PERFORATED AND NONPERFORATED CONDUITS SHALL BE DESIGNATED ON THE PLANS.

APPROVED BY ROADWAY ENGINEER *C.M. Sankowski* DATE 9/1/99

OKLAHOMA DEPT. OF TRANSPORTATION
ROADWAY STANDARD (ENGLISH)

PAVEMENT EDGE DRAIN