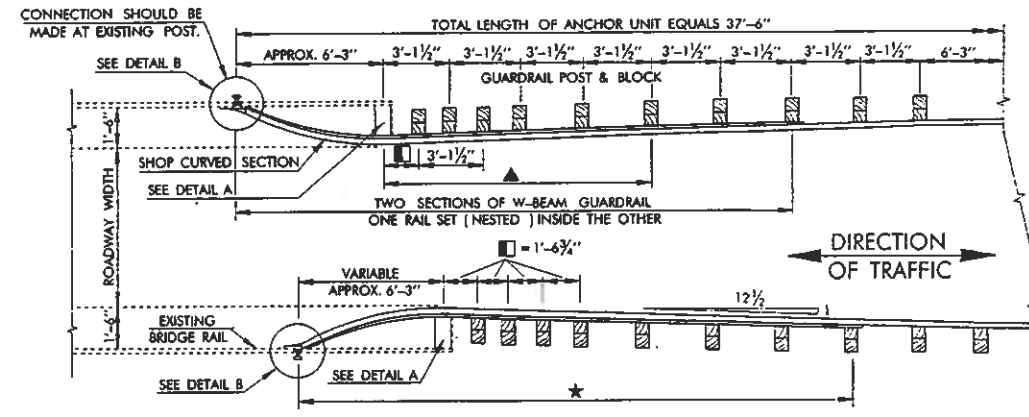
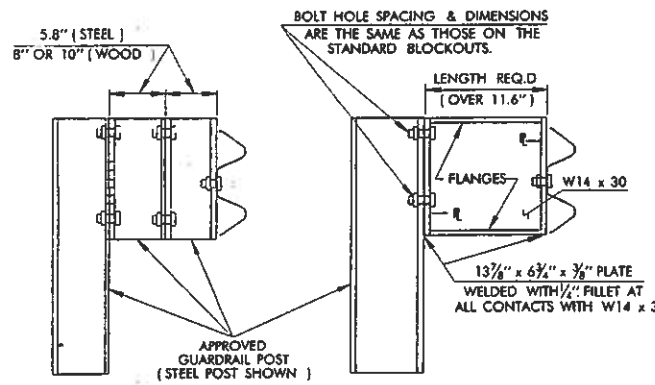


DESCRIPTION	REVISIONS	DATE
RE-ISSUE W/ENGLISH 1999 SPECS.		7/99



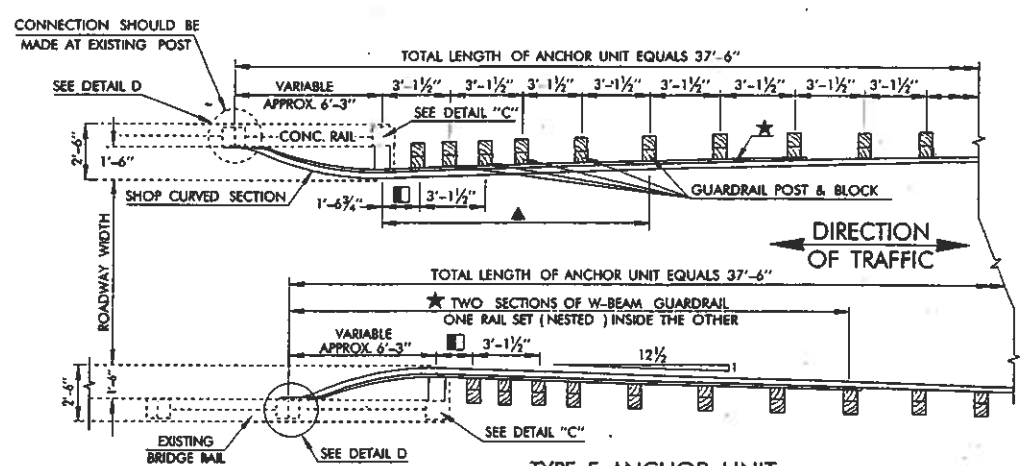
TYPE E ANCHOR UNIT

▲ RAIL HEIGHT TRANSITIONS TO STANDARD 28" HEIGHT (+ 1") IN 12'-8" FROM END OF BRIDGE.



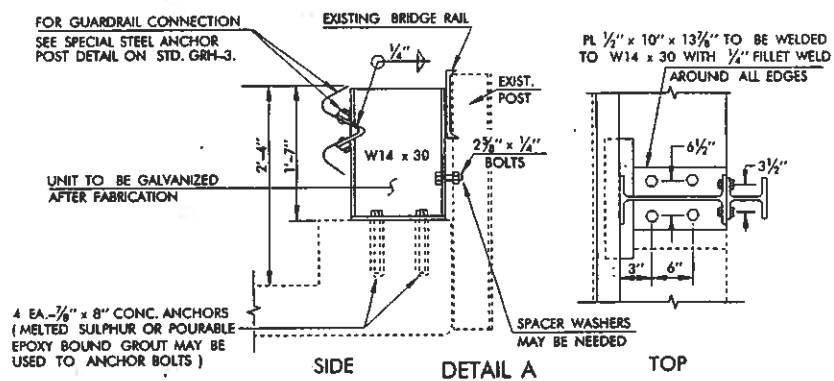
DETAIL OF LONG BLOCKOUT

IF MORE THAN ONE (1) EXTRA SPACER BLOCK (2 TOTAL) IS REQUIRED TO SIGN THE POSTS OR TO CLEAR UNDERGROUND OBSTRUCTIONS, A SPECIAL WELDED MEMBER MUST BE FABRICATED WITH THE FLANGES ON TOP AND BOTTOM, AND PLATE MATERIAL ON THE ENDS AS SHOWN. THIS APPLIES TO STEEL AND WOOD POST INSTALLATIONS. TWO (2) EA. 5/8" LAG SCREWS MAY BE USED TO ATTACH BLOCKOUTS TO WOODEN POST.



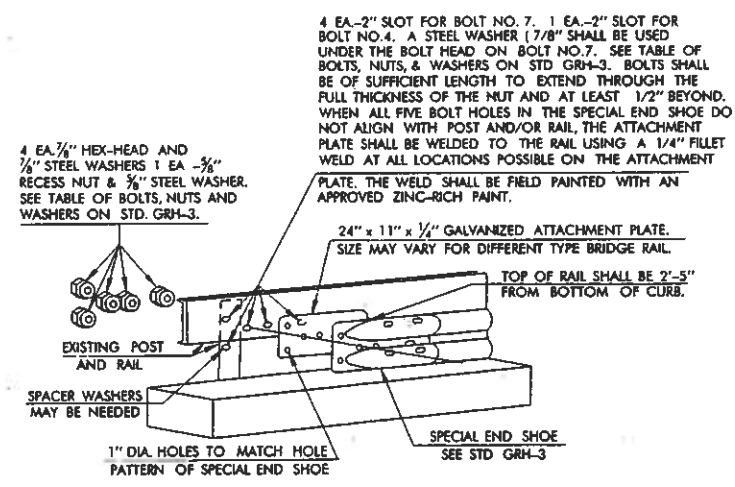
TYPE F ANCHOR UNIT

▲ RAIL HEIGHT TO TRANSITION TO STANDARD 28" HEIGHT IN 12'-6" FROM END OF BRIDGE.

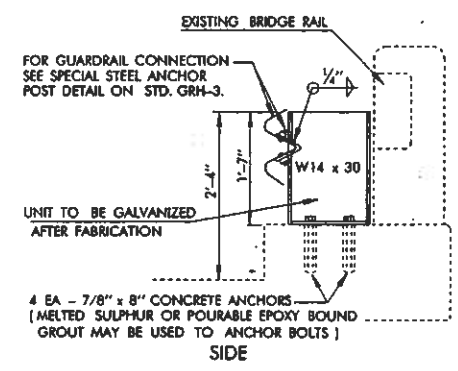


DETAIL A

DETAIL OF ANCHOR TO BRIDGE WITH 18" CONCRETE CURB & STEEL HANDRAIL. IF CURB HEIGHT IS 6" OR LESS, SPECIAL STEEL ANCHOR POST MAY BE OMITTED & THE APPROACH RAIL ALIGNED WITH THE BRIDGE RAIL.

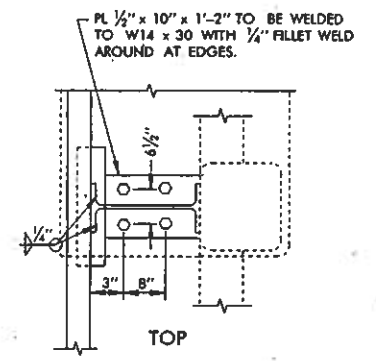


DETAIL B

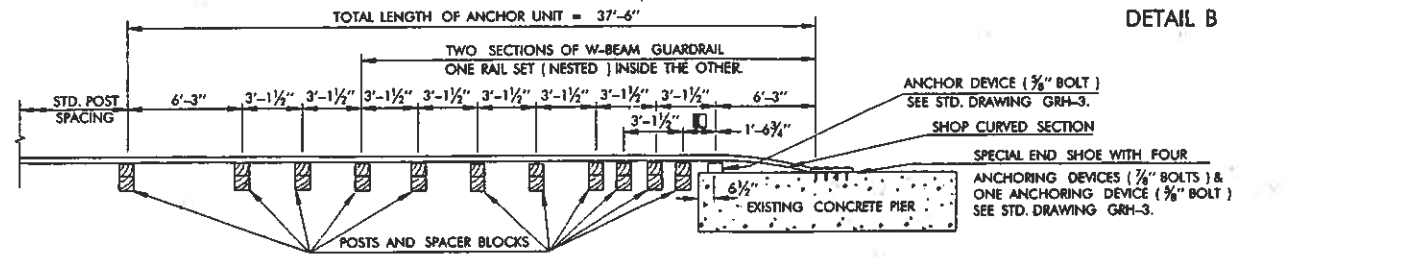


DETAIL C

DETAIL OF ANCHOR TO BRIDGE WITH 18" CONCRETE CURB & STEEL HANDRAIL. IF CURB HEIGHT IS 6" OR LESS, SPECIAL STEEL ANCHOR POST MAY BE OMITTED & THE APPROACH RAIL ALIGNED WITH THE BRIDGE RAIL.

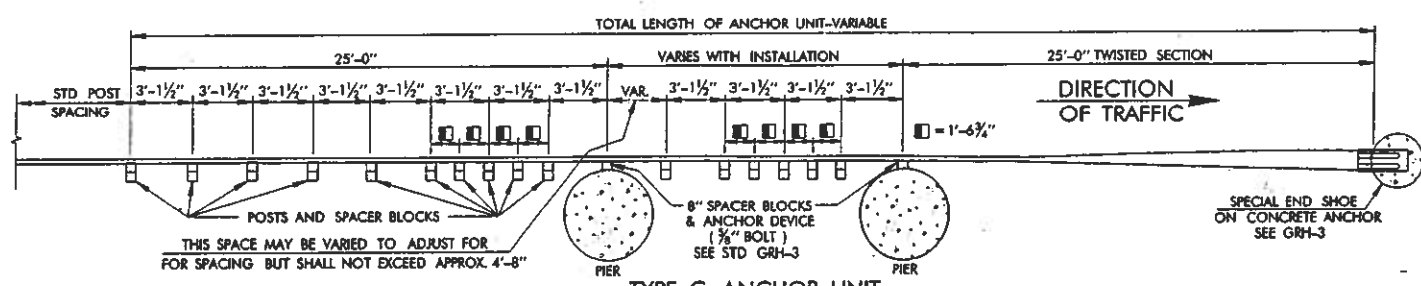


TOP

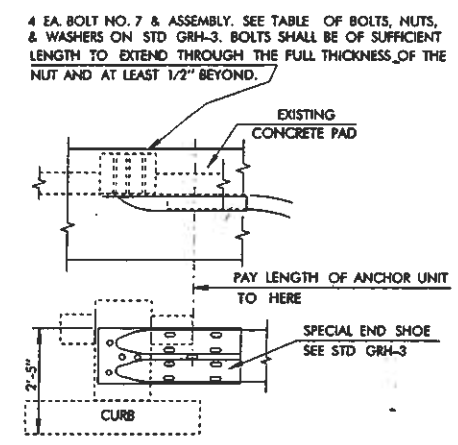


TYPE G ANCHOR UNIT

SPECIAL UNIT TO ANCHOR THE GUARDRAIL TO THE PIER AT/OR NEAR SHOULDER LINE



TYPE C ANCHOR UNIT



DETAIL D

(INTERIOR CONCRETE POST)

GENERAL NOTES

- ALL CONSTRUCTION AND MATERIAL REQUIREMENTS SHALL BE IN ACCORDANCE WITH THE 1999 ENGLISH STANDARD SPECIFICATIONS.
- GUARDRAIL POST HOLES DRILLED THROUGH THE APPROACH SLAB, CURB, OR DRAIN SHALL BE RESTORED TO THE ORIGINAL SHAPE OF THE SLAB, CURB, OR DRAIN WITH CONCRETE IN A MANNER APPROVED BY THE ENGINEER WITH COST TO BE INCLUDED IN OTHER ITEMS OF WORK.
- EXTRA LENGTH POSTS OR ADDITIONAL COMPACTED EARTH MAY BE REQUIRED NEAR BRIDGE AS DIRECTED BY THE ENGINEER. SPECIAL BLOCKOUT MAY BE REQUIRED.
- GUARDRAIL COMPONENTS SHALL MEET THE APPLICABLE STANDARDS OF 'A GUIDE TO STANDARDIZED HIGHWAY BARRIER RAIL HARDWARE' PREPARED AND APPROVED BY THE AASHTO-ARTBA-AGC JOINT COOPERATIVE COMMITTEE, TECHNICAL BULLETIN NUMBER 268 B.

BASIS OF PAYMENT		
ITEM NO.	ITEM	UNIT
623.06(F)	GUARDRAIL ANCHOR UNIT (TYPE ●)	EA.

- INCLUDES GUARDRAIL, ALL HARDWARE AND OTHER APPURTENANCES NECESSARY TO CONSTRUCT UNIT.
- TYPE OF ANCHOR UNIT SHALL BE SPECIFIED.

APPROVED BY ROADWAY ENGINEER *C.M. Schenk* DATE 9/1/99

OKLAHOMA DEPT. OF TRANSPORTATION
ROADWAY STANDARD (ENGLISH)

GUARDRAIL ANCHOR UNIT