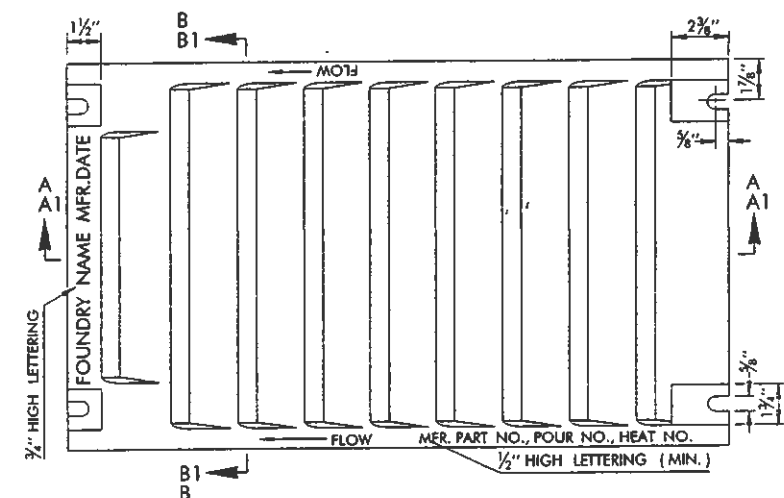
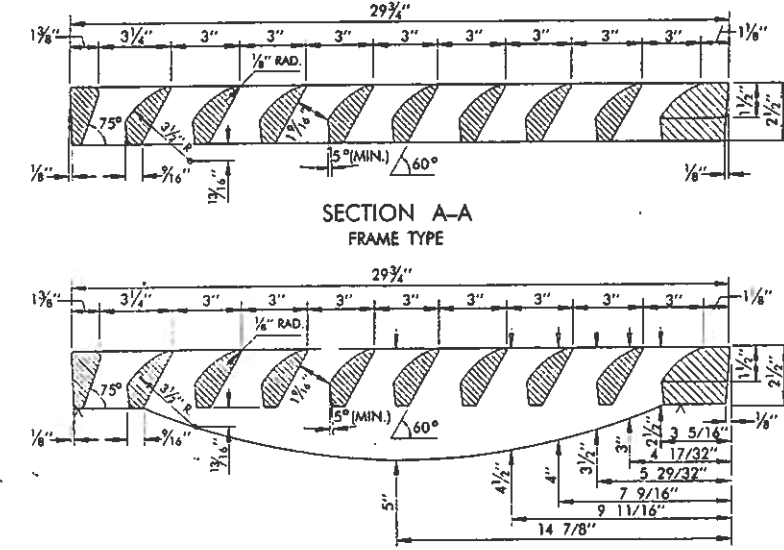


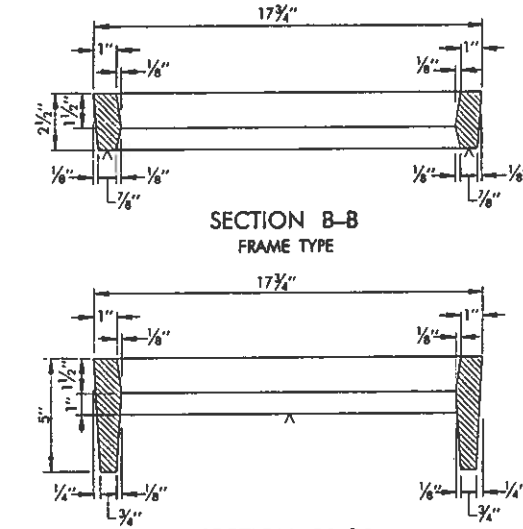
DESCRIPTION	REVISIONS	DATE
RE-ISSUE W/ENGLISH 1999 SPECS.		7/99



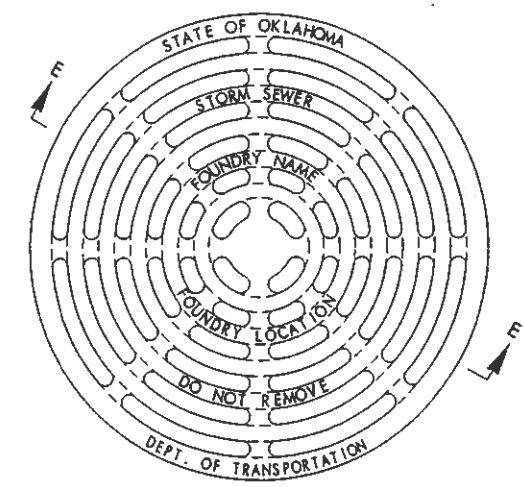
PLAN
VANE GRATE
TYPE VG-F (FRAME INSTALLATION)
▲ TYPE VG-T (TRENCH INSTALLATION)



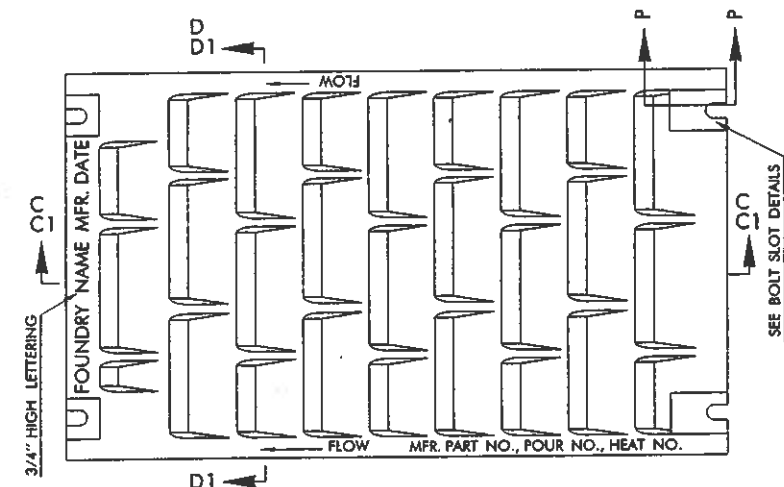
SECTION A-A
FRAME TYPE
SECTION A1-A1
TRENCH TYPE ▲
▲ MACHINING ONLY ON END BEARING AREAS.



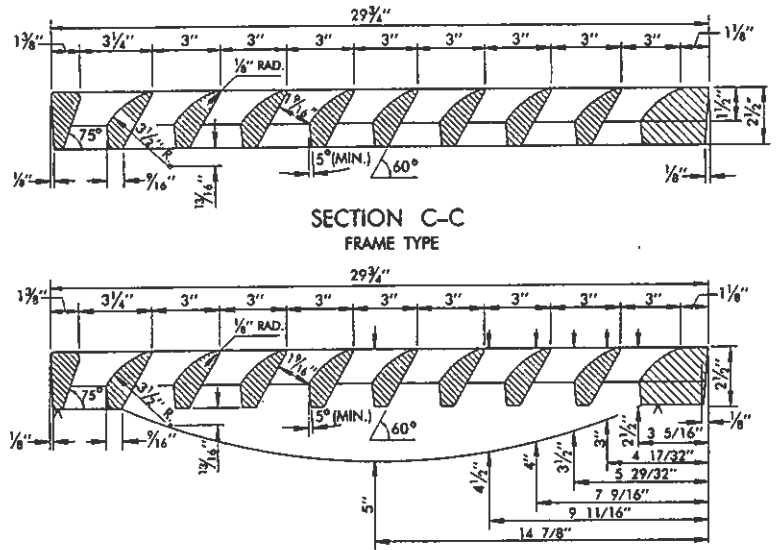
SECTION B-B
FRAME TYPE
SECTION B1-B1
TRENCH TYPE ▲



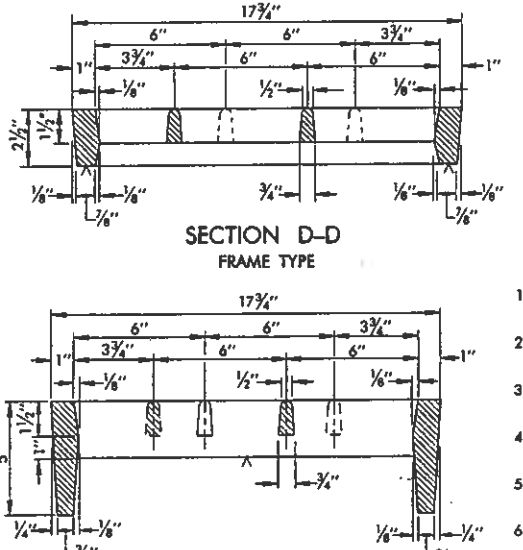
PLAN
MANHOLE COVER GRATE - TYPE MCG



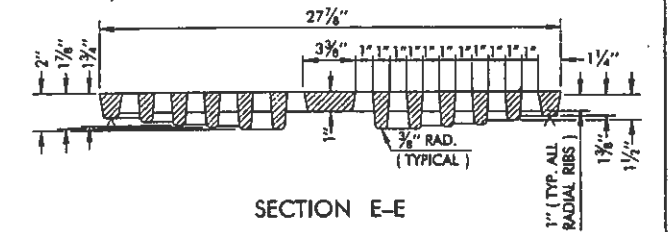
PLAN
RIBBED VANE GRATE
TYPE RVG-F (FRAME INSTALLATION)
▲ TYPE RVG-T (TRENCH INSTALLATION)



SECTION C-C
FRAME TYPE
SECTION C1-C1
TRENCH TYPE ▲
▲ MACHINING ONLY ON END BEARING AREAS.

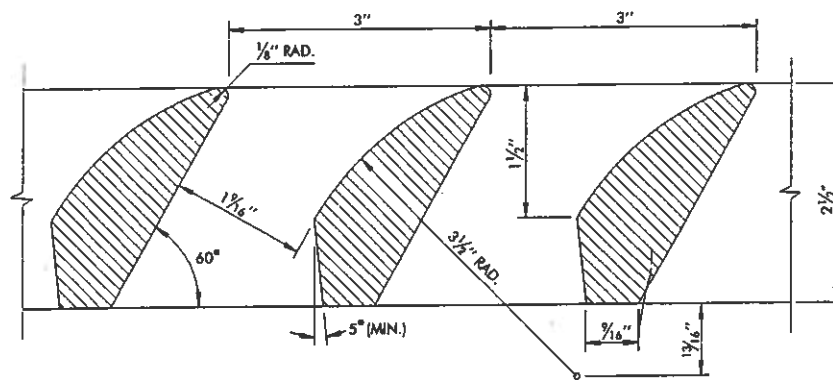


SECTION D-D
FRAME TYPE
SECTION D1-D1
TRENCH TYPE ▲

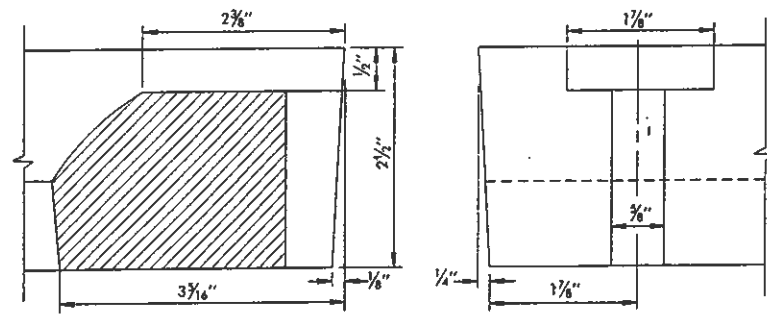


SECTION E-E

- GENERAL NOTES**
1. ALL CONSTRUCTION AND MATERIAL REQUIREMENTS SHALL BE IN ACCORDANCE WITH THE 1999 ENGLISH STANDARD SPECIFICATIONS.
 2. FRAME TYPE GRATES, VANE OR RIBBED VANE, ARE NOT TO BE USED IN TRENCH INSTALLATIONS.
 3. GRATES SHALL BE INSTALLED IN THE FRAME WITH FLOW ARROW POINTING DOWNSTREAM OR TOWARD THE LOW POINT IN A SUMP.
 4. ALL LETTERING IS TO BE RECESSED 1/16". ALL INFORMATION REQUIRED SHALL BE SUFFICIENT FOR IDENTIFICATION, AS SHOWN.
 5. GRATES SHALL BE CAST STEEL, DUCTILE IRON, OR GRAY IRON CONFORMING TO SECTION 725 OF THE 1999 ENGLISH STANDARD SPECIFICATIONS.
 6. ALL GRATES INSTALLED IN A TRENCH FRAME (STD. SSIF-3) SHALL HAVE A BOLTED HOLD-DOWN FEATURE. IF INSTALLED IN AN ANGLE IRON FRAME OR RESTING ON A CONCRETE SHOULDER, A POSITIVE HOLE-DOWN FEATURE, APPROVED BY THE ENGINEER, SHALL BE USED.
- NOTE: MACHINING (SYMBOL ▲) MAY BE ACCOMPLISHED BY MILLING OR BY LEVEL GRINDING.



TYPICAL SECTION THRU VANES



SECTION P-P
END VIEW
BOLT SLOT DETAILS

CAST INLET GRATE NOMENCLATURE	
TYPE VG-F	VANE GRATE - FRAME TYPE
TYPE VG-T	VANE GRATE - TRENCH TYPE ▲
TYPE RVG-F	RIBBED VANE GRATE - FRAME TYPE
TYPE RVG-T	RIBBED VANE GRATE - TRENCH TYPE ▲

BASIS OF PAYMENT		
ITEM NO.	ITEM	UNIT
611.06(G)	INLET FRAME & GRATE	EA.
611.06(G)	INLET GRATE (TYPE ■)	EA.
611.06(D)	MANHOLE COVER GRATE	EA.

▼ ANY FRAME TYPE GRATE ON THIS DRAWING INSTALLED IN A PROPER FRAME, AS SHOWN ON STD. SSIF-3 (TYPE A, B, C) WILL COMPRISE THE PAY ITEM.

APPROVED BY ROADWAY ENGINEER *C.M. Senkowski* DATE 9/1/99

OKLAHOMA DEPT. OF TRANSPORTATION
ROADWAY STANDARD (ENGLISH)

CAST INLET GRATE

1999 SPECIFICATIONS	CIG-2	00E
		R-96E