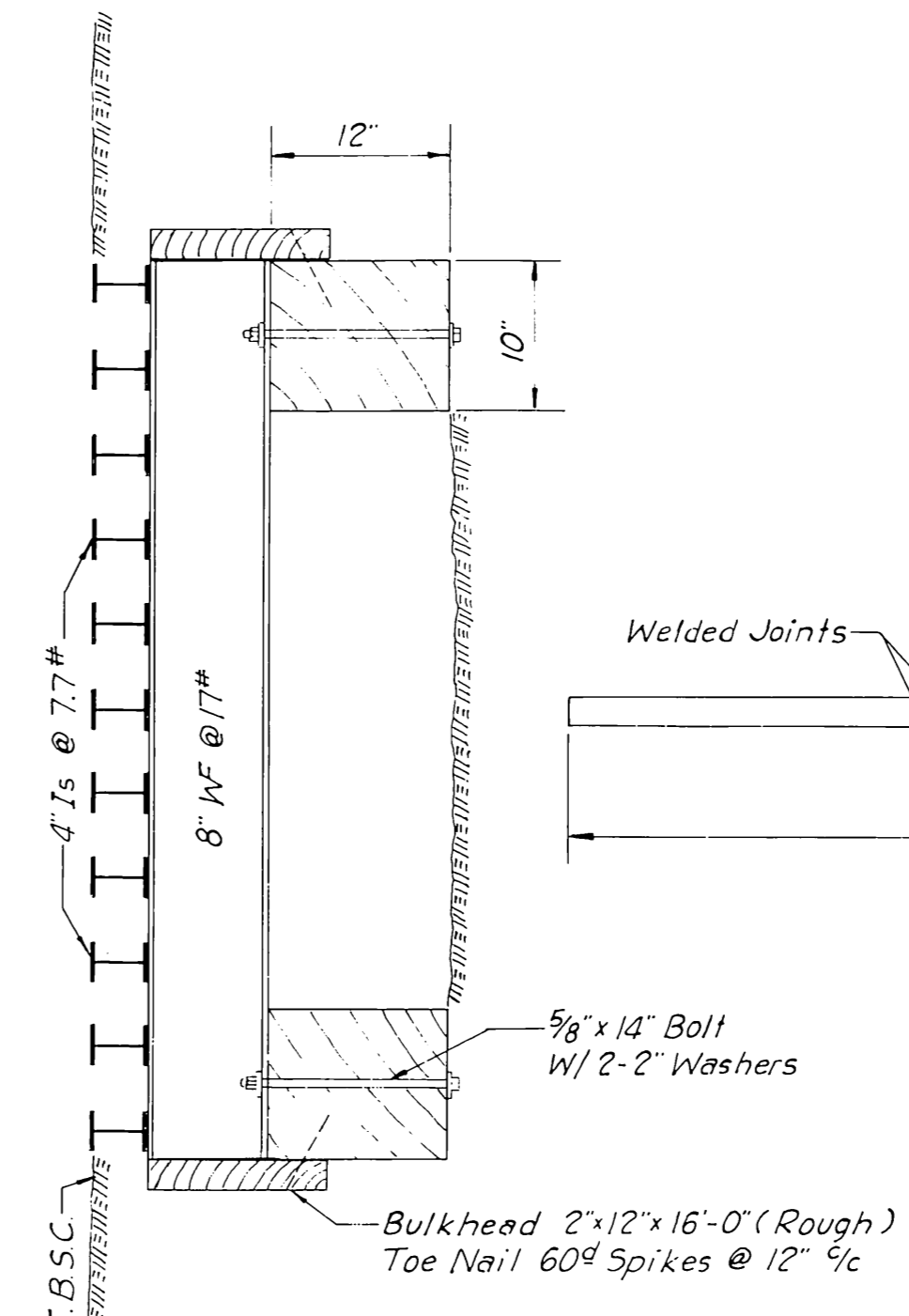
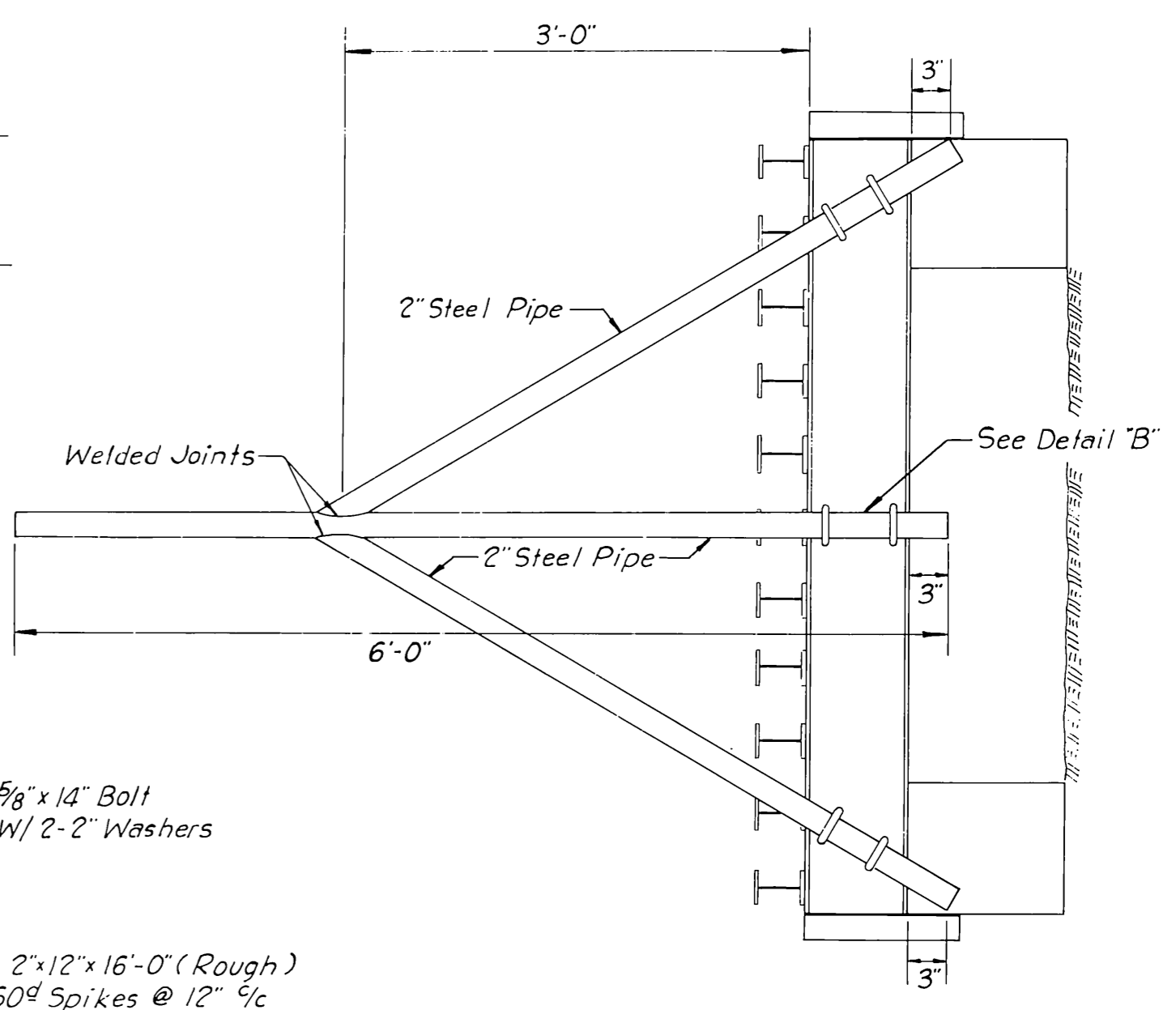


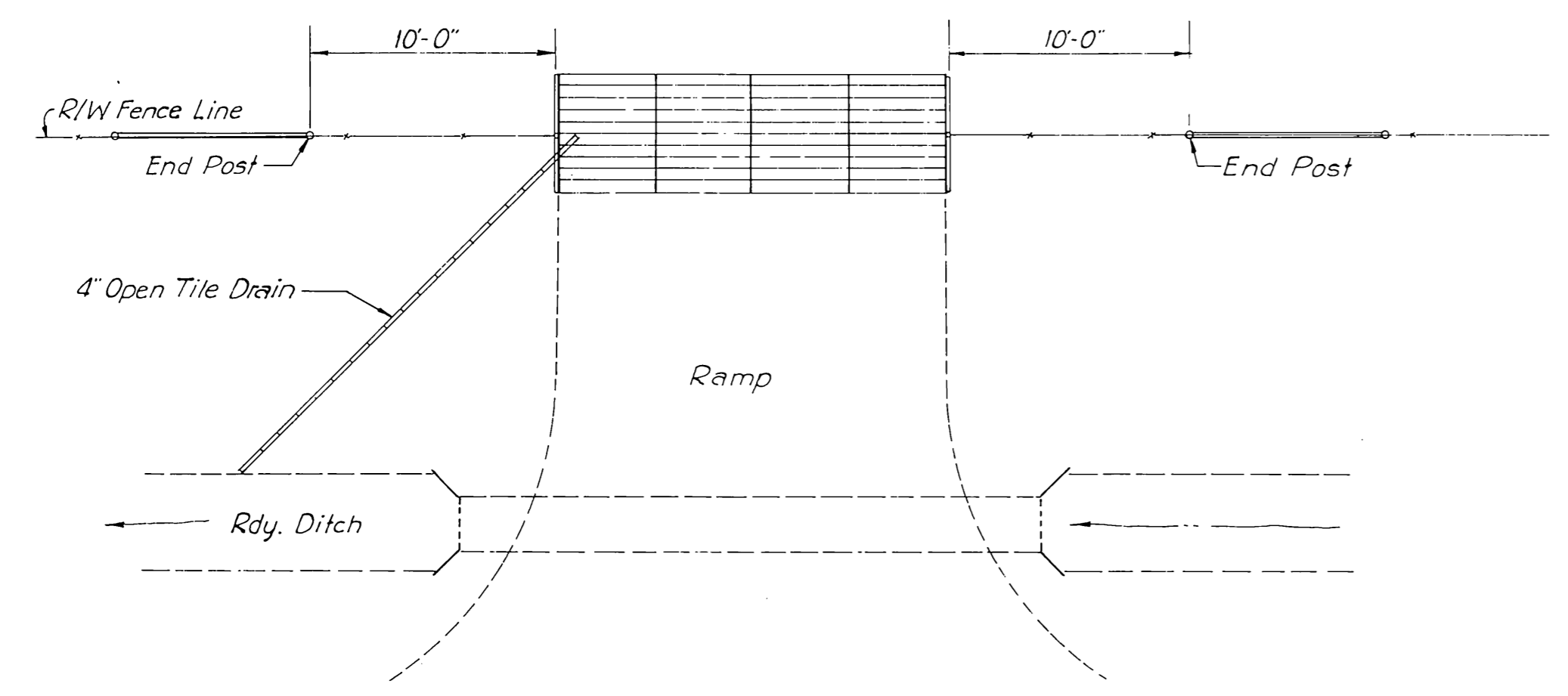
PLAN



SECTION A-A

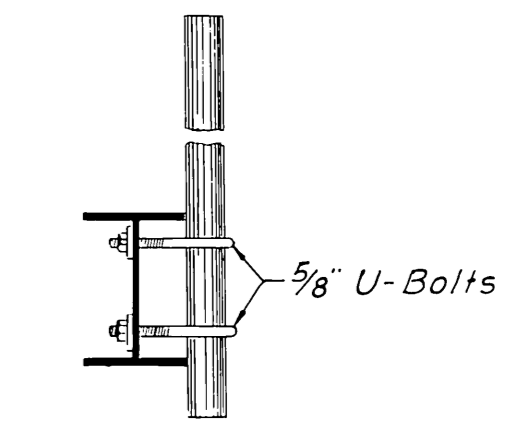


END VIEW



TYPICAL INSTALLATION

QUANTITIES FOR ONE CATTLE GUARD		
ITEM	UNIT	QUANTITIES
5 Bms. 8" WF @ 17" x 5'-0"	Lb.	425
11 Bms. 4" Is @ 7.7" x 16'-0"	Lb.	1,356
2-10' x 12" Creosoted Timbers	MFBM	0.320
2-2' x 12" Creosoted Timber Bulkhead	MFBM	0.064
2" Steel Pipe	Lin. Ft.	31
5/8" x 1/4" Standard Machine Bolts W/ 2-2" Round Washers	Each	10
5/8" U-Bolts W/ 2-2" Round Washers	Each	12
60# Nails	Lb.	12
4" Drain Tile (Open End)	Lin. Ft.	* 24



DETAIL "B"

* Estimated
 Item "Cattle Guard" consists of Structure Complete in place as shown on Plans. Payment will be made at the Lump Sum Price Bid per each, which shall include all Cost of Materials, Labor, Tools, Excavation, and Incidentals necessary to complete the Work as specified and shown on Plans.

CONSTRUCTION NOTES
 All Construction and Materials shall be in accordance with Oklahoma Standard Specifications.
 No. 1 Common Treated Timber shall be No. 1 Common, or better, graded in accordance with the Current Specifications of the Southern Pine Association or the West Coast Lumbermens Association. Timber shall be Southern Pine or Douglas Fir.

All Bolt Holes in Timber shall be bored with a bit of the same Diameter as the bolt.
 Cattle Guard shall be drained to Roadway Ditch with 4" Open Tile Drain as indicated on the Plans.

Painting: After the fabrication of all metal in Cattle Guard, the entire metal portion shall be coated with two coats of Red Lead in Shop or Field. Pipe End Guards shall be painted over the Red Lead with one coat of weather resistant aluminum paint in the field after placing cattle guard in place.

OKLAHOMA DEPARTMENT OF TRANSPORTATION
 OKLAHOMA CITY OKLAHOMA
STANDARD CATTLE GUARD
 FOR FARM ENTRANCES 108A
 16'-0" ROADWAY C.G.C.-5