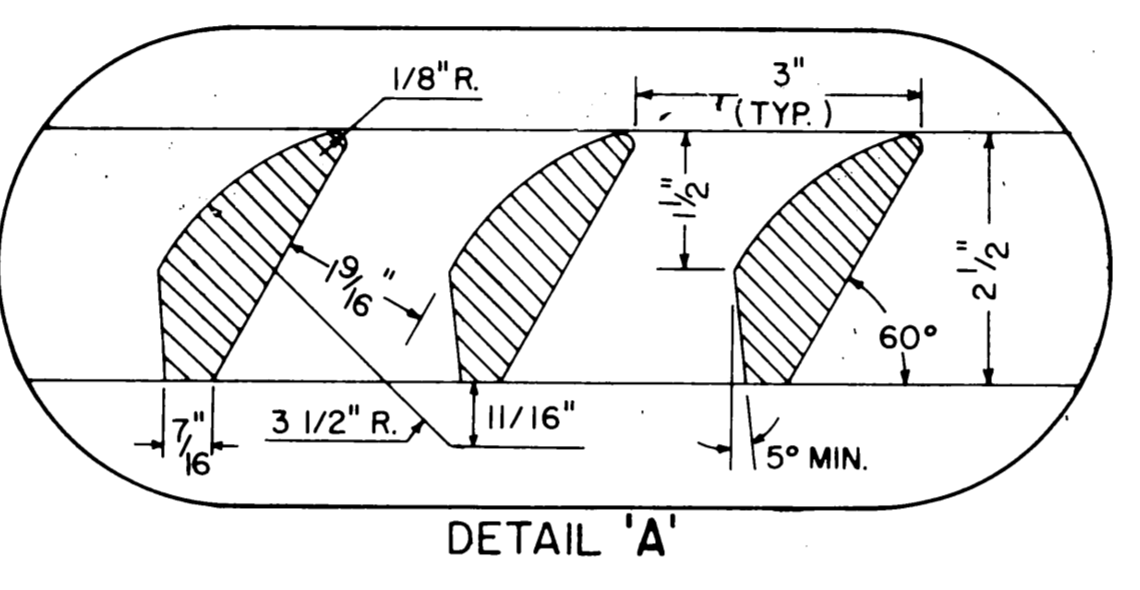
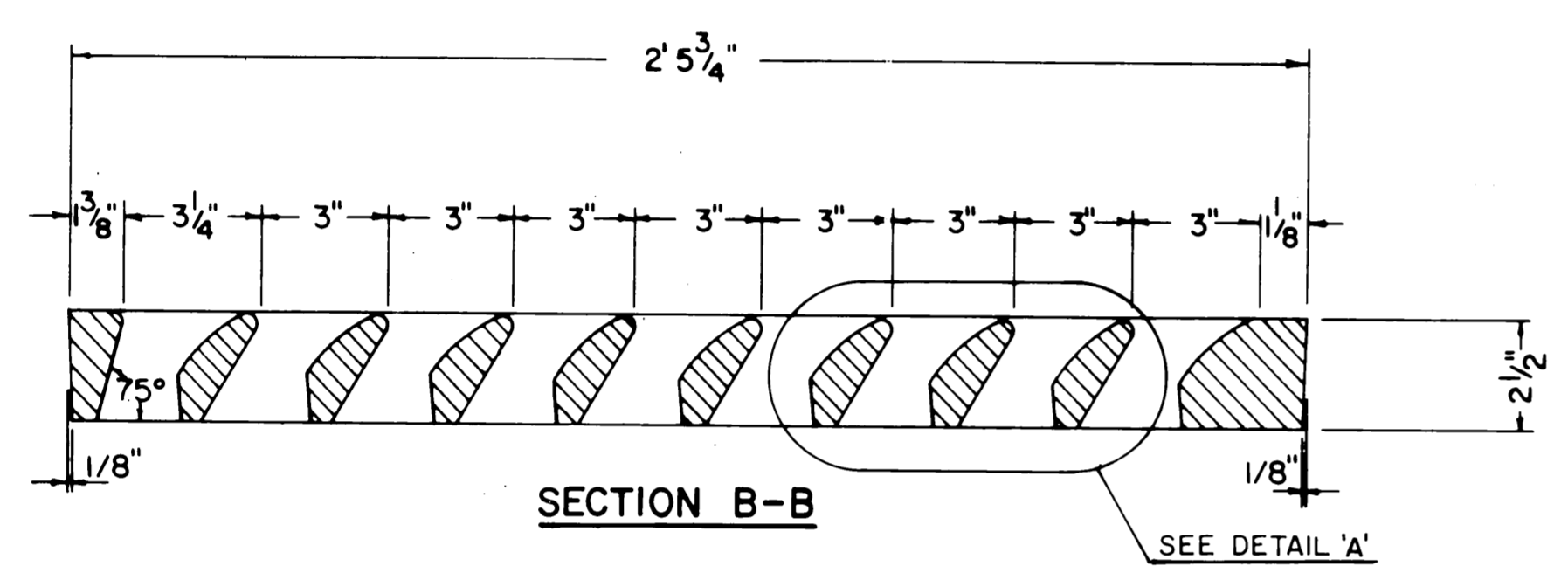
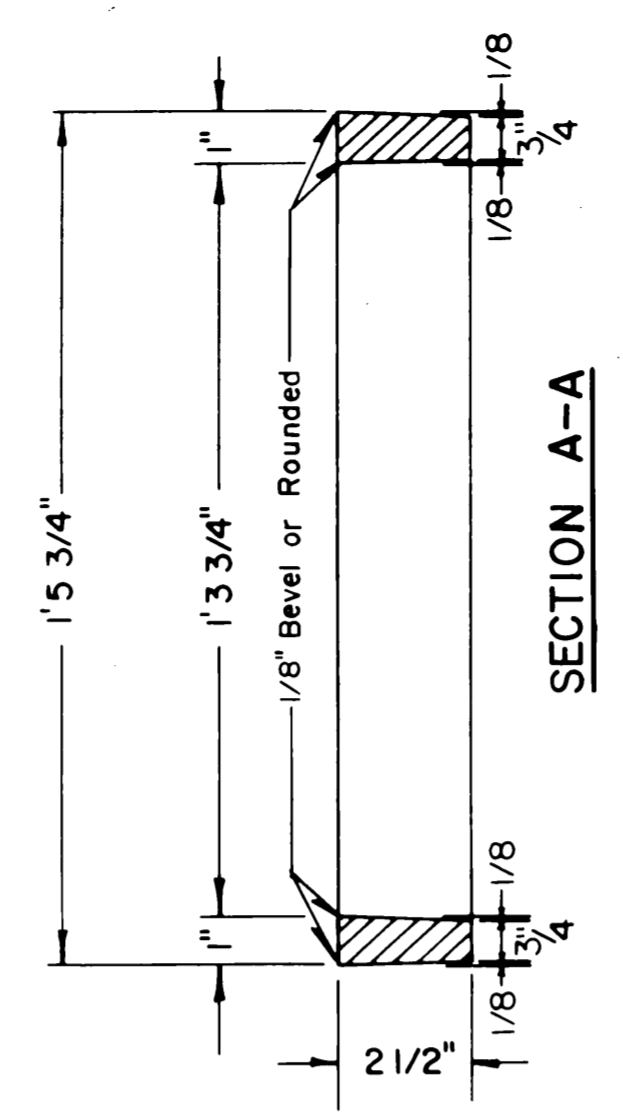
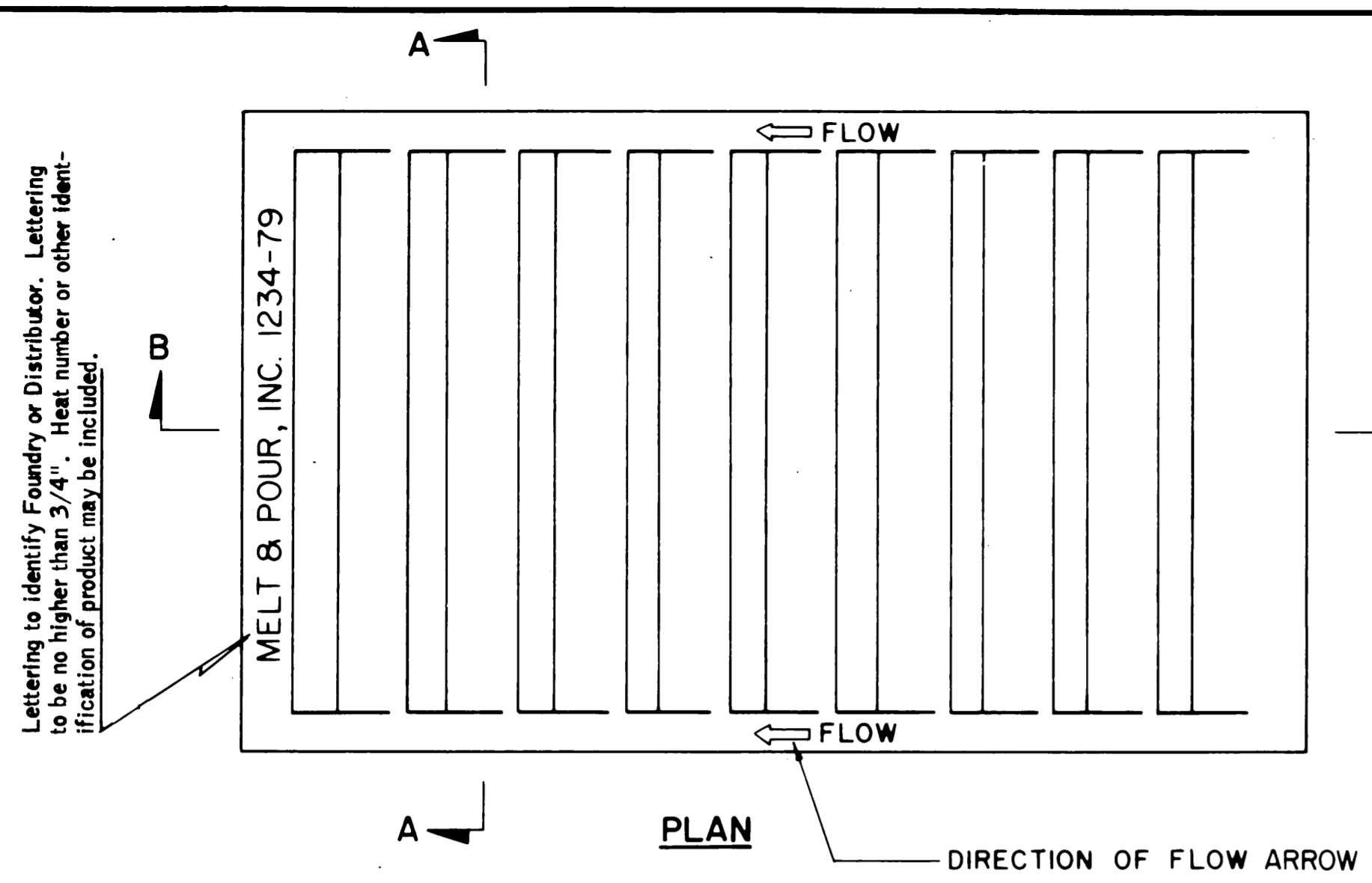
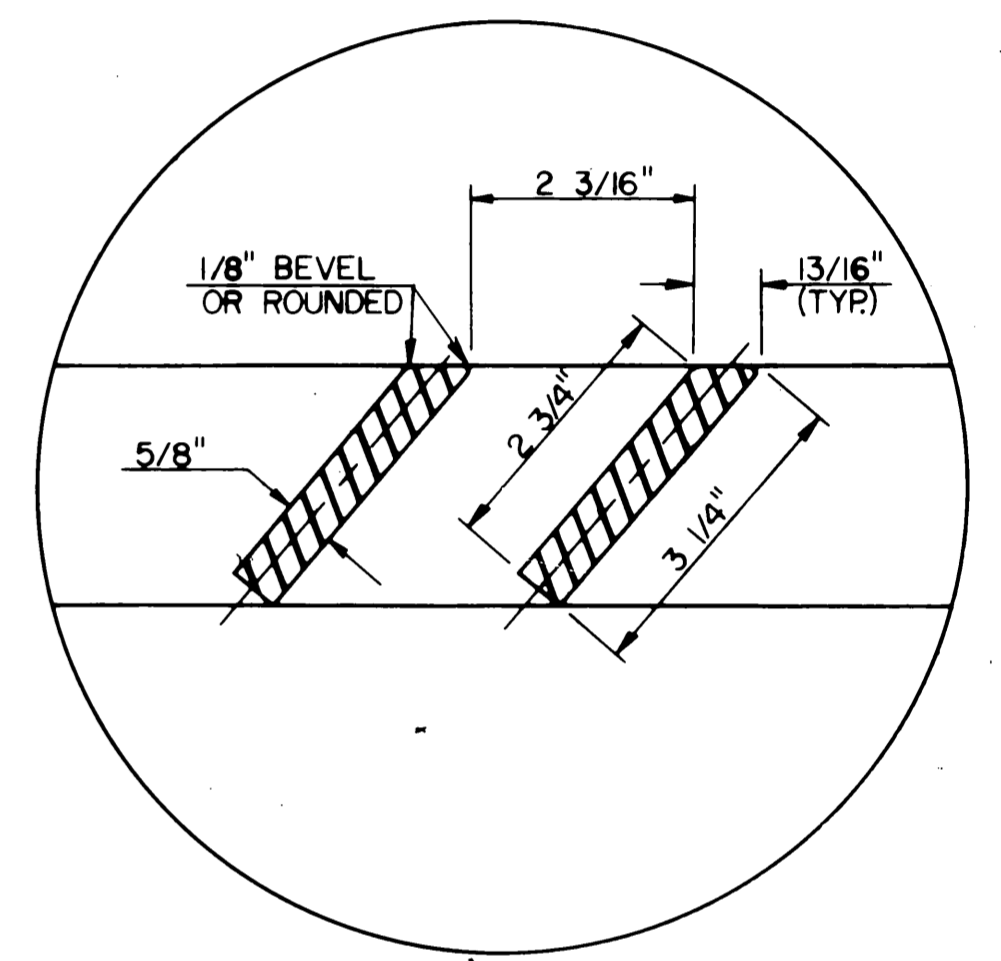
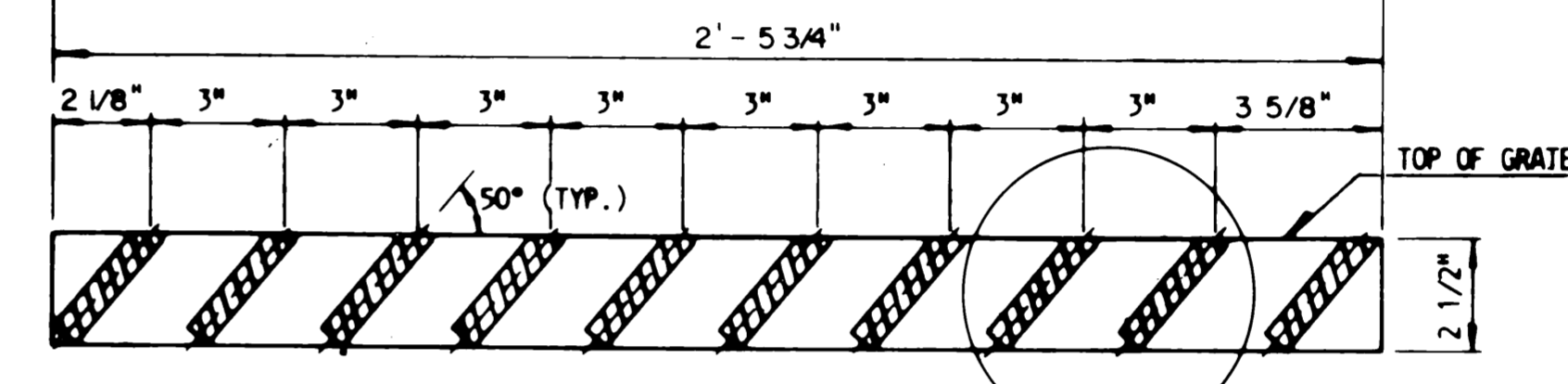
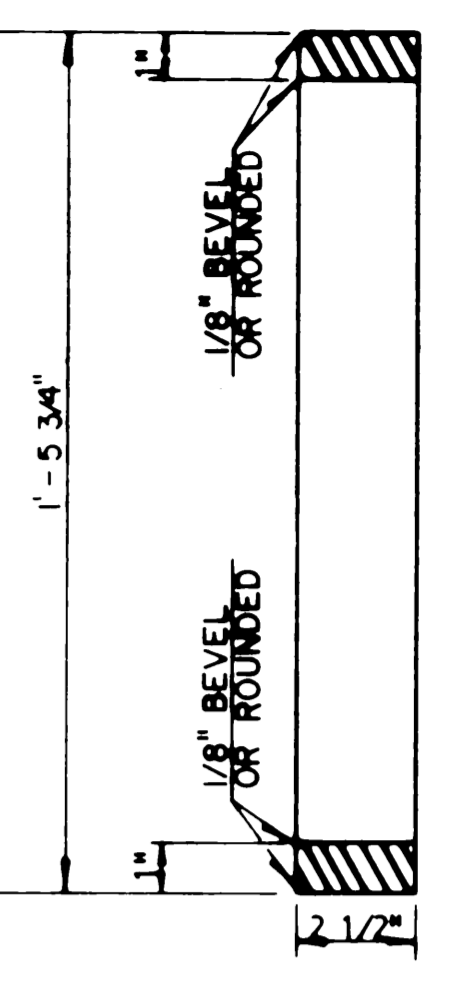
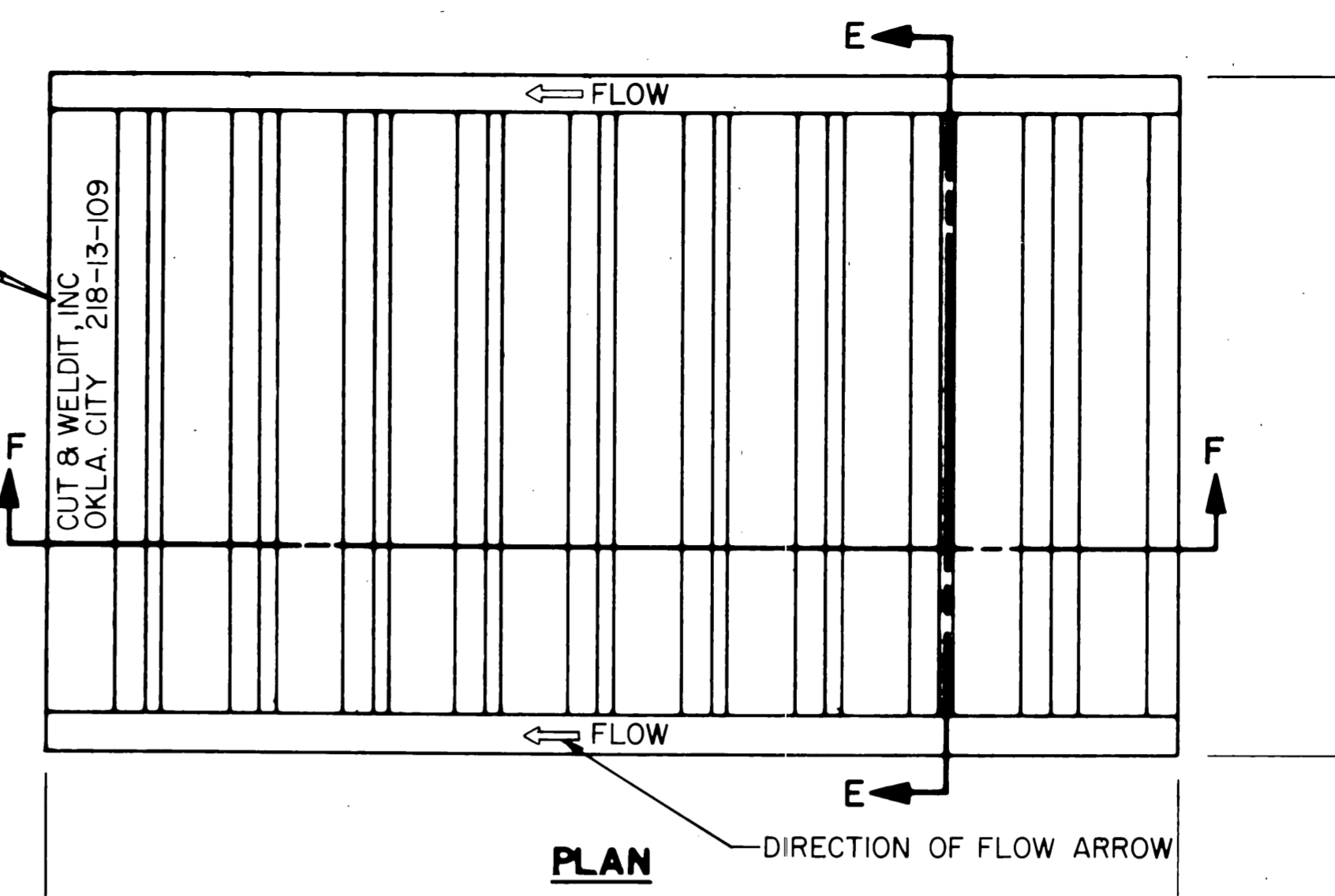


| PROJ. NO. | STATE | FISCAL YEAR | SHEET NO. | TOTAL SHEETS |
|-----------|-------|-------------|-----------|--------------|
| 6         | OKLA. |             |           |              |

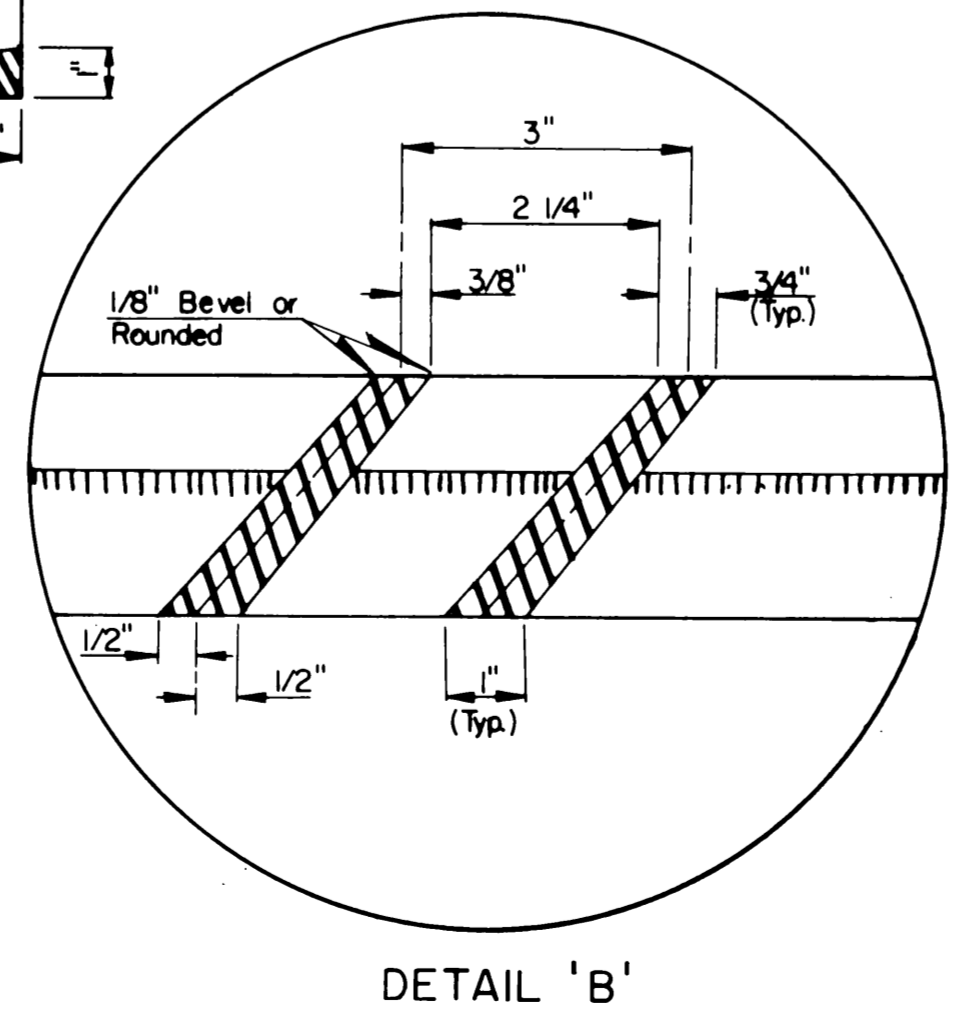
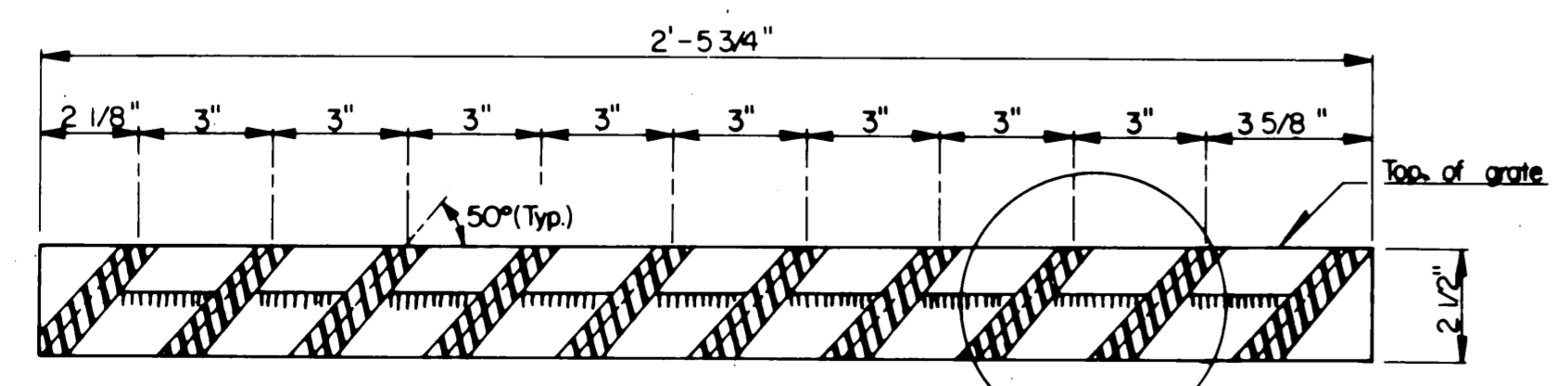
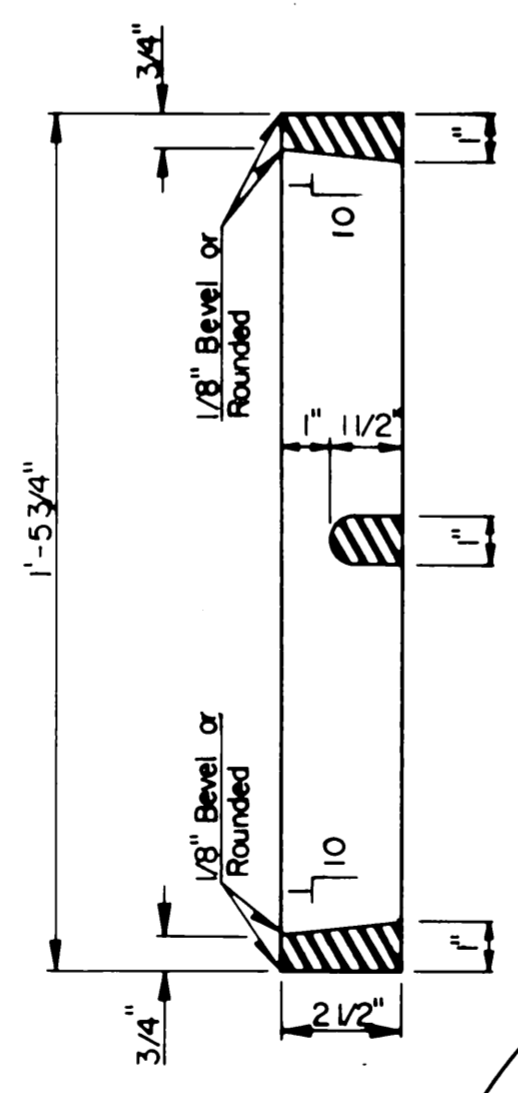
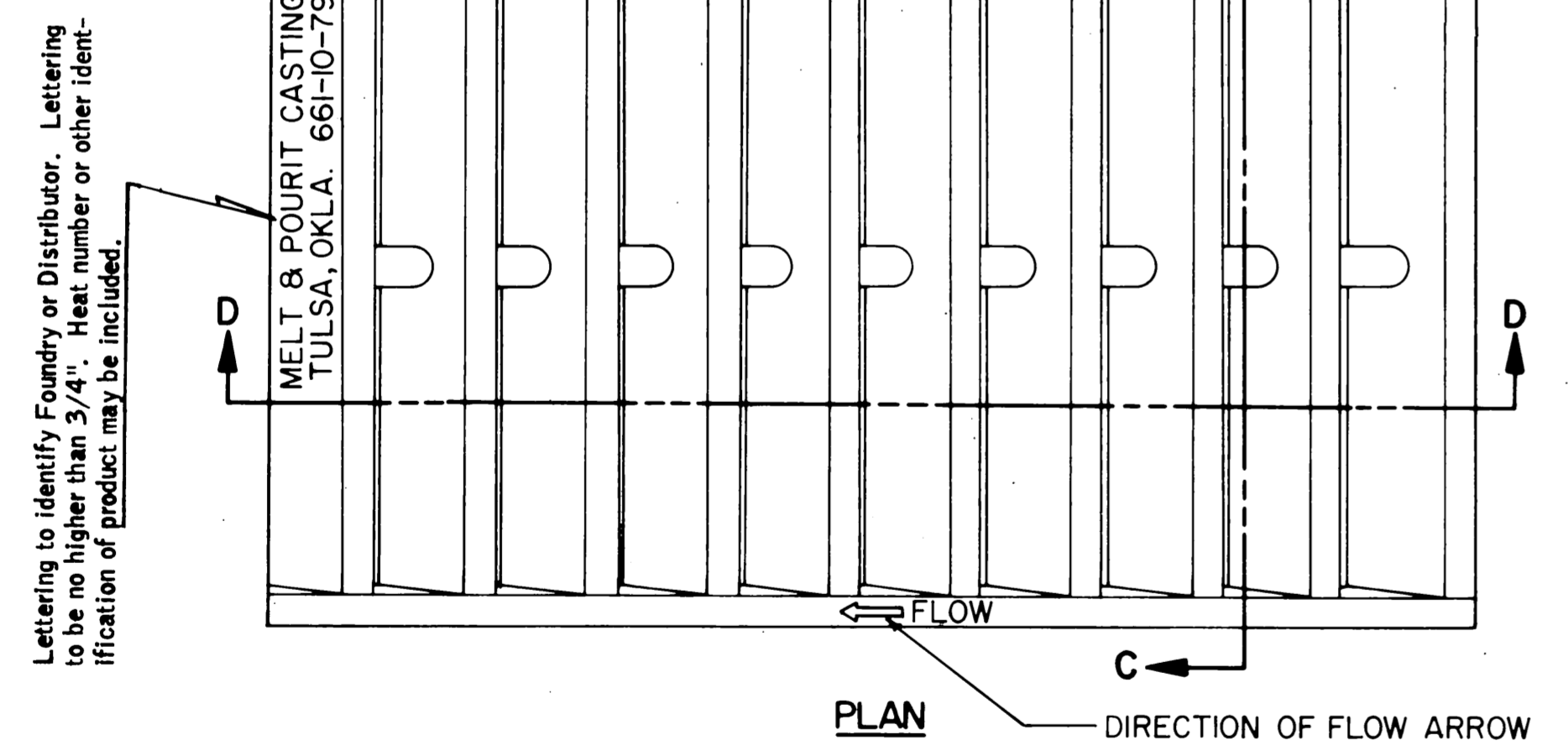
| DESCRIPTION | REVISIONS | DATE |
|-------------|-----------|------|
|             |           |      |



CAST GRATE



WELDED STEEL GRATE



CAST GRATE

GENERAL NOTES

- Welded Steel or Cast Grates as detailed are all acceptable grates. Mixing of alternate types of grates on the same project will be permitted with the approval of the Engineer.
- All construction and materials shall be in accordance with the current Standard Specifications.
- Sharp edges resulting from fabrication shall be dulled by any acceptable method for safety in handling.
- Grates shall be installed in frame with flow arrow pointing downstream or toward the low point in a sump.
- Welded grates shall be Structural Steel conforming to the requirements of AASHTO M-183 or of corrosion resistant structural steel conforming to the requirements of AASHTO M-161 or M-222 or be made of other approved steels of equal quality. Mixing grades of steel on the same grate will not be permitted.
- Grates made of M-183 steel shall be galvanized in accordance with AASHTO M-111 Specifications or shall be painted with inorganic zinc paints, meeting the requirements of the current standard specifications.
- All welds shall be a minimum of 1/4" fillet and shall conform to the Specifications for Highway Construction and to the AWS Structural Welding Code. Electrodes shall be compatible to the different grades of steel that comprise the grate members.
- Cast grates shall be cast steel conforming to the requirements of AASHTO M-103, Grade 65-35 or of ductile iron conforming to the requirements of ASTM A-536, Special Grade 60-45-10, or of grey iron conforming to the requirements of AASHTO M-105, Class 35B or ASTM A-48, Class 35B. The specifications of general application for cast steel grates shall be AASHTO M-103 Scope 1.2.1, Grade N-1.
- Ferrous castings shall be of uniform quality, free of blowholes, porosity, hard spots, shrinkage distortion or other defects. They shall be smooth and well cleaned by shot blasting or other approved cleaning method. After cleaning they shall be coated with asphalt base paint resulting in a smooth coating, tough and tenacious when cold, not tacky nor brittle.
- All castings shall be manufactured true to pattern; component parts shall fit together in a satisfactory manner.

| BASIS OF PAYMENT |                         |      |
|------------------|-------------------------|------|
| ITEM NO.         | ITEM                    | UNIT |
| * 611.06(G)      | Inlet Frame and Grate   | Ea.  |
| ▲ Special        | Storm Sewer Grate (SSG) | Ea.  |

\* Any grate on this drawing installed in a proper frame as shown on Std. Dwg. SSIF-1 or SSIF-2 comprise the pay quantity.  
 ▲ Use this pay quantity for Storm Sewer Grate only.

|                    |                    |                    |                    |
|--------------------|--------------------|--------------------|--------------------|
| APPROVED BY        |                    |                    |                    |
| <i>[Signature]</i> | <i>[Signature]</i> | <i>[Signature]</i> | <i>[Signature]</i> |
| CONST. ENGR.       | URBAN DES ENGR.    | RURAL DES ENGR.    | ASS'T. DIR - DES.  |
| DATE               | DATE               | DATE               | DATE               |
|                    | 1/28/80            | 1/28/80            | 1/28/80            |
| Design             |                    |                    |                    |
| Drawn              |                    |                    |                    |
| Checked            |                    |                    |                    |
| Approved           |                    |                    |                    |
| Squad              |                    |                    |                    |

OKLA. DEPARTMENT OF TRANSPORTATION  
 STANDARD STORM SEWER GRATE

SSG-I-5

**OBSELETE**