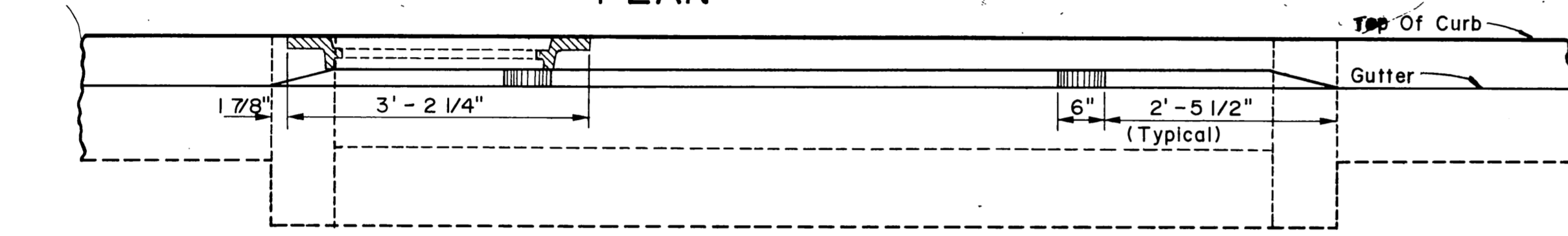
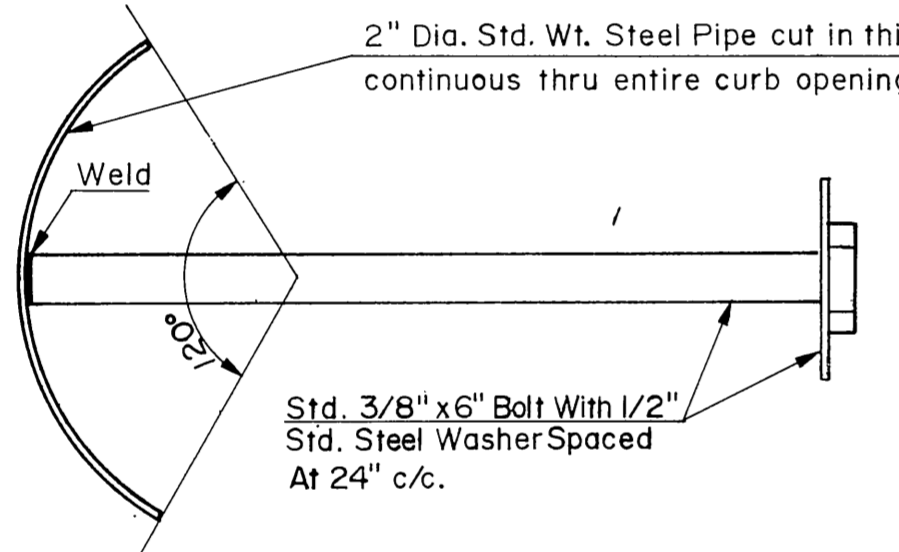


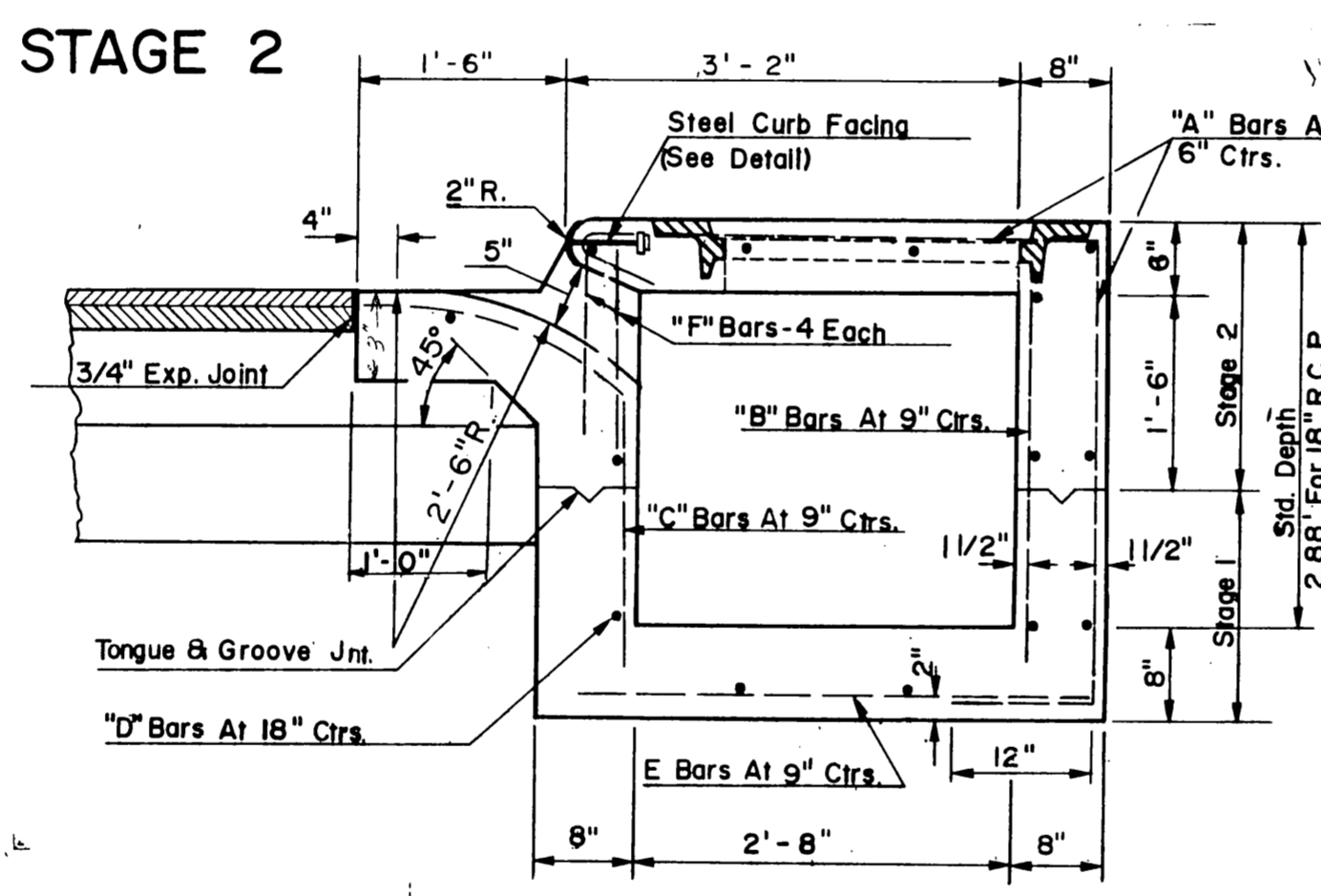
PLAN



ELEVATION - STAGE 2



DETAIL OF STEEL CURB FACING



SECTION A-A

**GENERAL NOTES**

All Construction And Materials Requirements Shall Be In Accordance With The Current Standard Specifications.

Stage 1 To Be Built By Grading Contractor. Forms Shall Be Removed And Area Around Inlet Compacted In Accordance W/Std. Specifications By Grading Contractor.

Stage 2 To Be Built By Surfacing Contractor.

Temporary Wood Grate To Be Furnished And Installed By Stage 1 Contractor. Cost To Be Included In Price Bid For Class "A" Concrete.

Where Grading And Surfacing Are One Contract, Inlet May Be Built In One Stage Upon Approval From Resident Engineer.

Unless Otherwise Specified, All Exposed Concrete Surfaces Shall Have A Finish In Accordance With The Current Standard Specifications.

Precast Curb Inlets May Be Used Upon Approval By The Engineer.

BAR LIST

		18" R.C.P.				24" & 30" R.C.P.			
		STAGE 1		STAGE 2		STAGE 1		STAGE 2	
		DESIGN NO. 1							
MARK	NO. OF BARS	SIZE	SHAPE	LENGTH	NO. OF BARS	SIZE	SHAPE	LENGTH	MARK
A	11	#5	BENT	8'-7"	11	#5	BENT	9'-2"	A
B	14	#4	STR.	3'-4"	14	#4	STR.	3'-10"	B
C	8	#4	BENT	4'-1"	8	#4	BENT	4'-8"	C
D	5	#4	STR.	5'-6"	9	#4	STR.	5'-6"	D
E	8	#4	STR.	3'-8"	8	#4	STR.	3'-8"	E
		DESIGN NO. 2							
A	21	#5	BENT	8'-7"	21	#5	BENT	9'-2"	A
B	21	#4	STR.	3'-4"	21	#4	STR.	3'-10"	B
C	15	#4	BENT	4'-1"	15	#4	BENT	4'-8"	C
D	5	#4	STR.	10'-6"	9	#4	STR.	10'-6"	D
E	15	#4	STR.	3'-8"	15	#4	STR.	3'-8"	E
F					8	#4	STR.	1'-6"	F

QUANTITIES

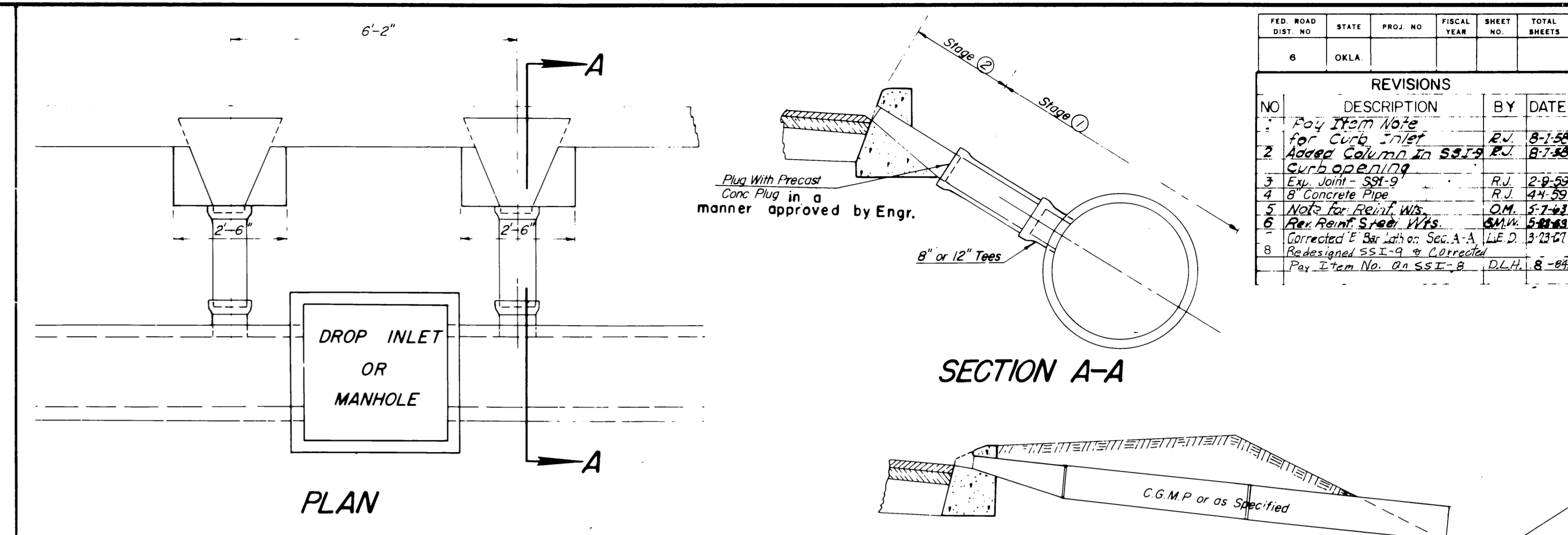
	DESIGN 1		DESIGN 2	
	CONC.	STEEL	CONC.	STEEL
18" R.C.P.	1.02	1.18	1.90	3.3
24" R.C.P.	1.14	1.13	2.04	3.3
30" R.C.P.	1.12	1.07	2.04	3.3
PERVERT.F.T.	445	37.2	691	67.1

① Stage 1    ② Stage 2

BASIS OF PAYMENT

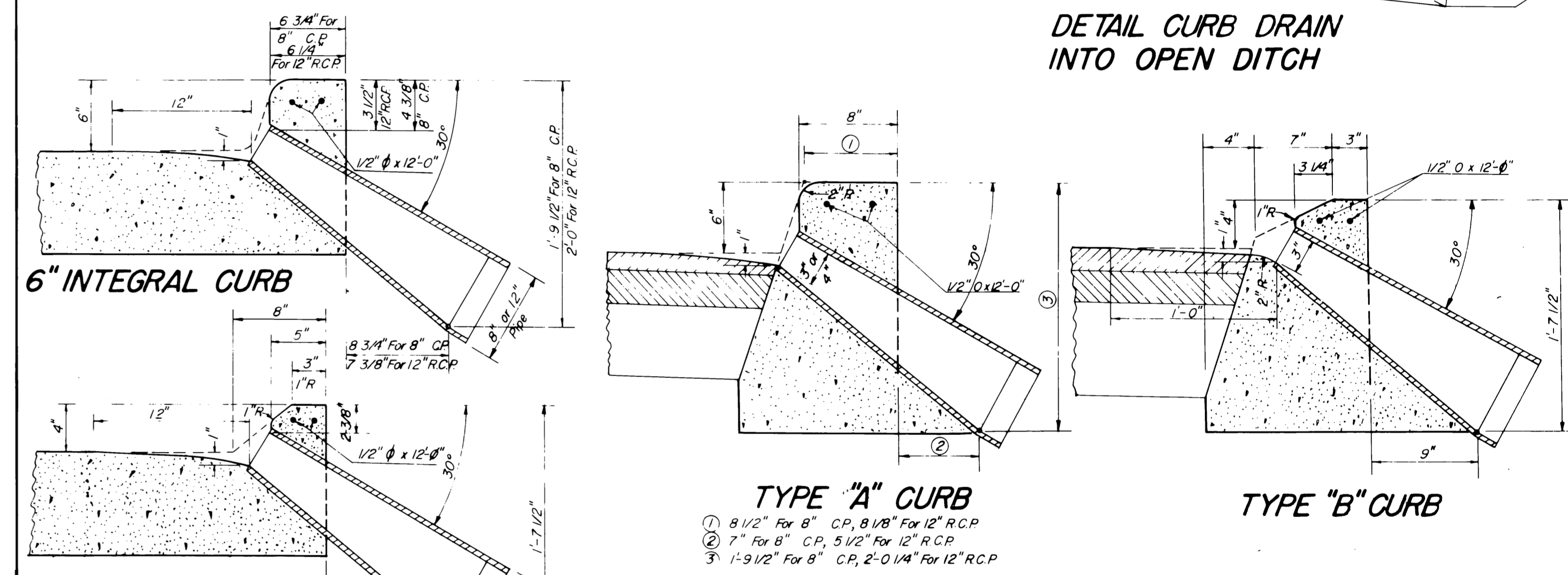
ITEM NO.	ITEM	UNIT
509.06(B)	Class "A" Concrete For Small Structures	Cu. Yd.
511.06	Reinforcing Steel	Lbs.

SSI-9 REINFORCED CONCRETE CURB INLET



PLAN

SECTION A-A



6" INTEGRAL CURB

4" MOUNTABLE CURB

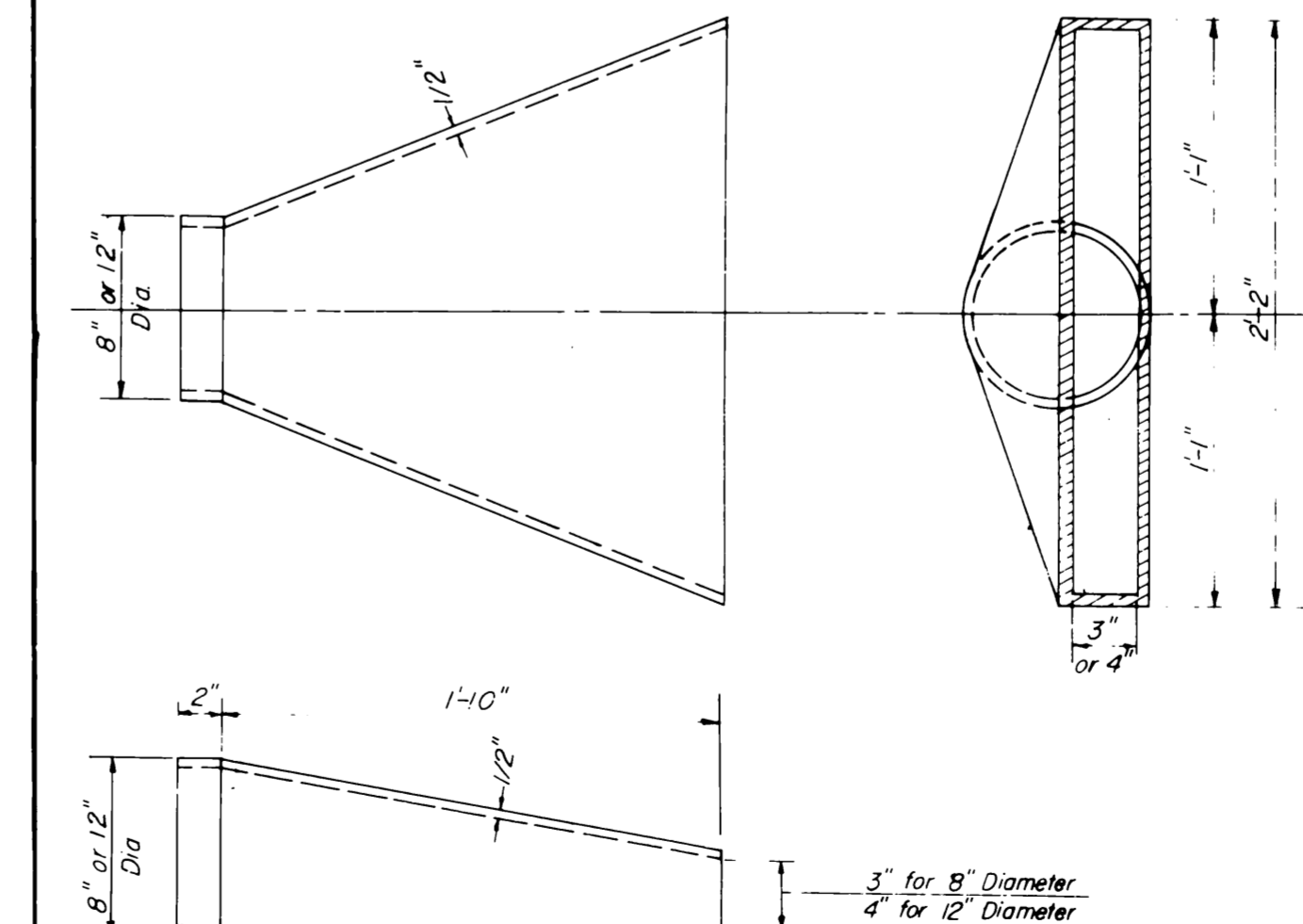
TYPE "A" CURB

- ① 8 1/2" For 8" C.P., 8 1/8" For 12" R.C.P.
- ② 7" For 8" C.P., 5 1/2" For 12" R.C.P.
- ③ 1-9 1/2" For 8" C.P., 2-0 1/4" For 12" R.C.P.

TYPE "B" CURB

DETAIL OF TEE JOINT LOCATION

NOTE  
8" Tee to be Sized For 8" Conc. Pipe (Extra Strength)



DETAIL OF CAST IRON CURB THROAT INLET

SSI-8 CAST IRON CURB THROAT INLET

FED. ROAD DIST. NO.	STATE	PROJ. NO.	FISCAL YEAR	SHEET NO.	TOTAL SHEETS
6	OKLA.				

REVISIONS			
NO.	DESCRIPTION	BY	DATE
1	Pay Item Note For Curb Inlet	RJ	8-1-84
2	Added Column in SSI-9 Curb Opening	RJ	8-7-84
3	Exp. Joint - SSI-9	RJ	2-9-85
4	8" Concrete Pipe	RJ	4-4-85
5	NOTE For Reinf. Wks.	O.M.	5-7-85
6	Rev. Reinf. SSI-9 Wks.	O.M.	5-21-85
8	Corrected F. Bar Lgth. on SSI-9 & Corrected Pay Item No. on SSI-8	D.L.H.	8-1-84

**GENERAL NOTES**

All Construction And Materials Requirements Shall Be In Accordance With The Current Standard Specifications.

Stage 1 To Be Built By Grading Contractor.

Stage 2 To Be Built By Surfacing Contractor.

Cost Of Reinforcing Steel Shown In The Top Portion Of Curb To Be Included In Price Bid For Cast Iron Curb Inlet.

Cost Of Additional Concrete To Be Included In Price Bid For Cast Iron Curb Inlet.

Unless Otherwise Specified, All Exposed Concrete Surfaces Shall Have A Finish In Accordance With The Current Standard Specifications.

BASIS OF PAYMENT

ITEM NO.	ITEM	UNIT
611.06(K)	Cast Iron Curb Inlets (SSI-8)	EA.

APPROVED BY

RURAL DES ENGR	URBAN DES ENGR	BRIDGE ENGINEER	CONST. ENGINEER	ASST. DIR./DES.
R.B. Wanda		Wanda	Wanda	Key
DATE 8/1/84	DATE	DATE 8/1/84	DATE 8/1/84	DATE 8/1/84

OKLA. DEPT. OF TRANSPORTATION  
STANDARD  
STORM SEWER INLET  
FMB

SSI-8&9-19