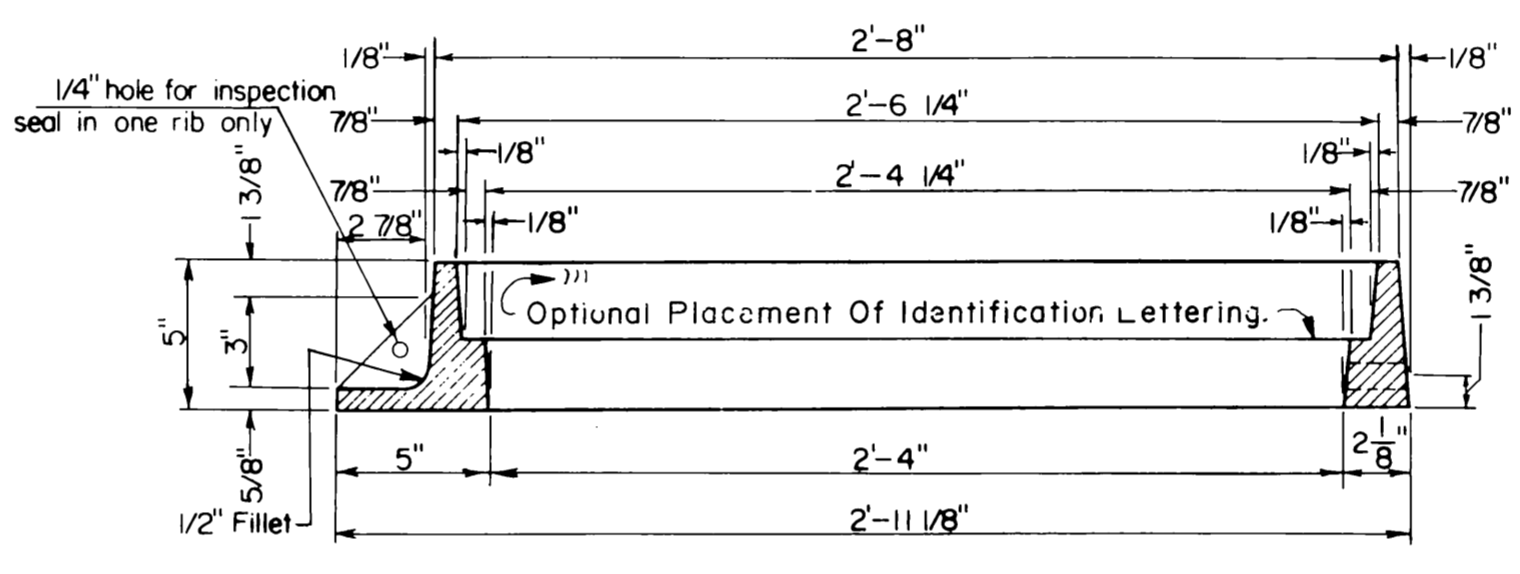
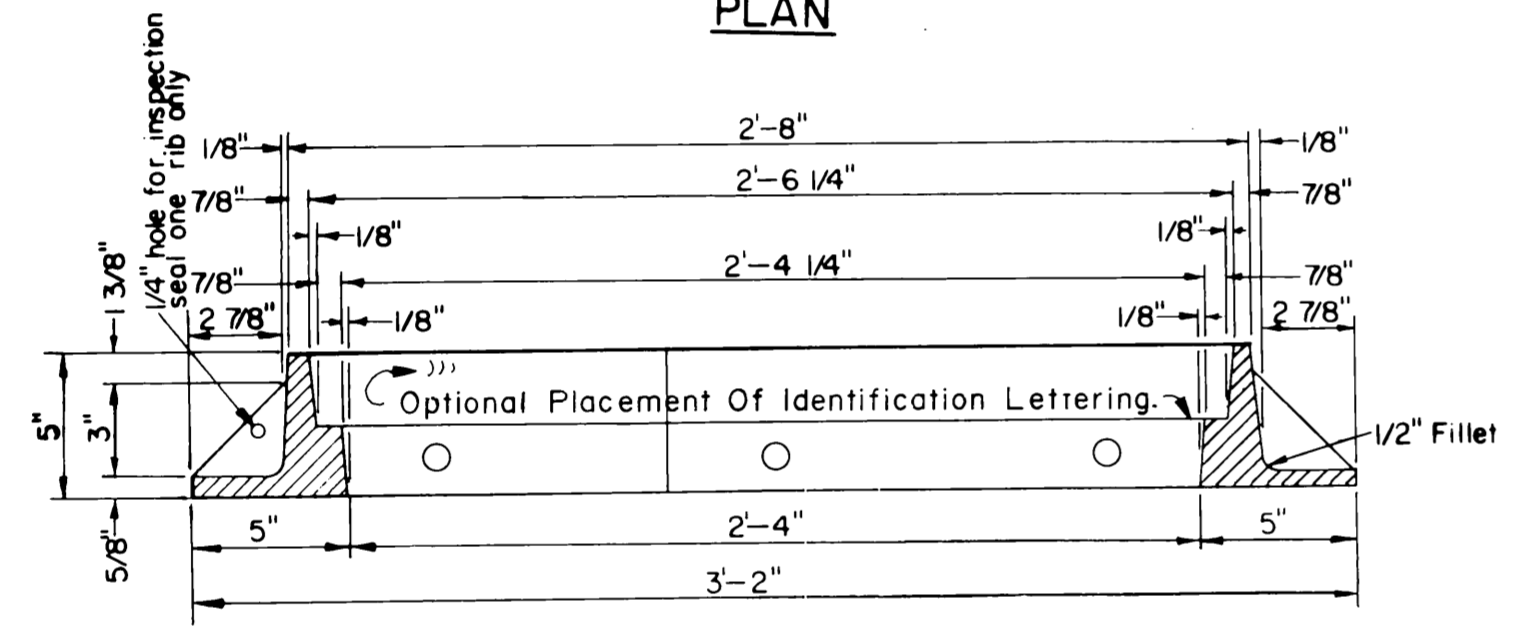
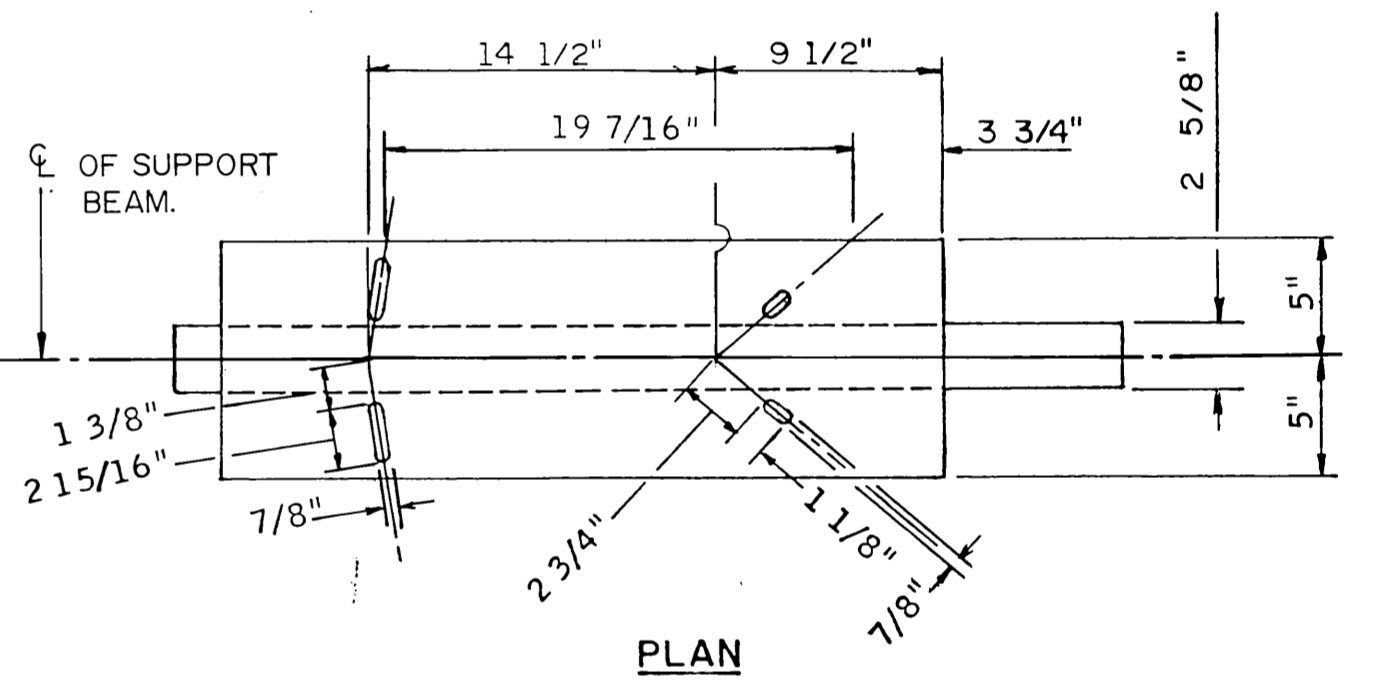
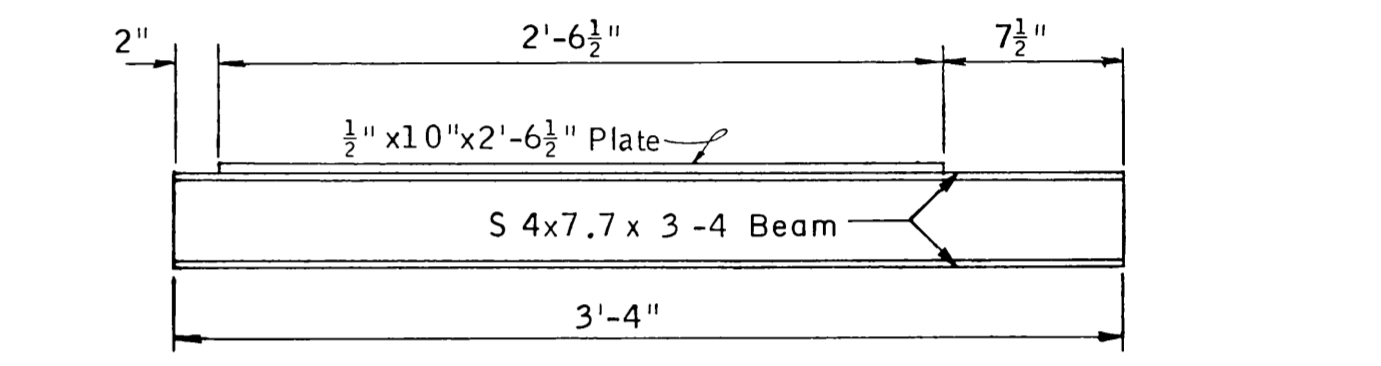
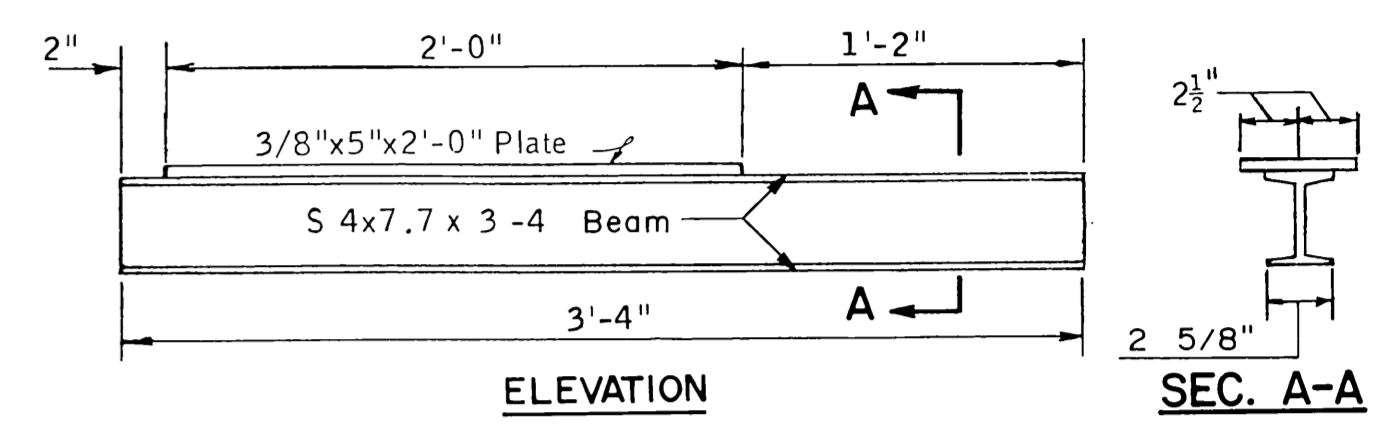
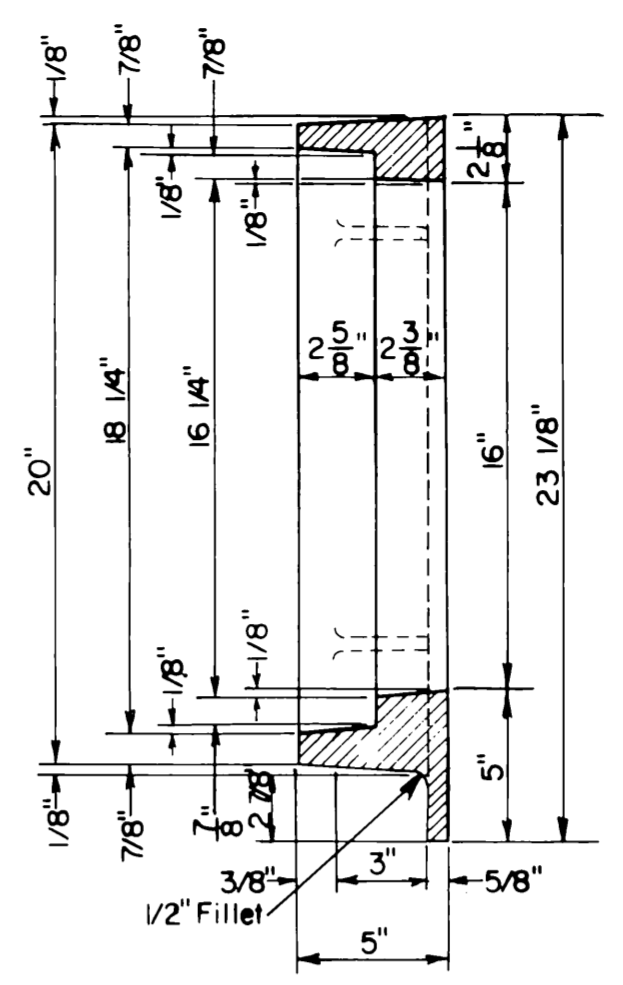
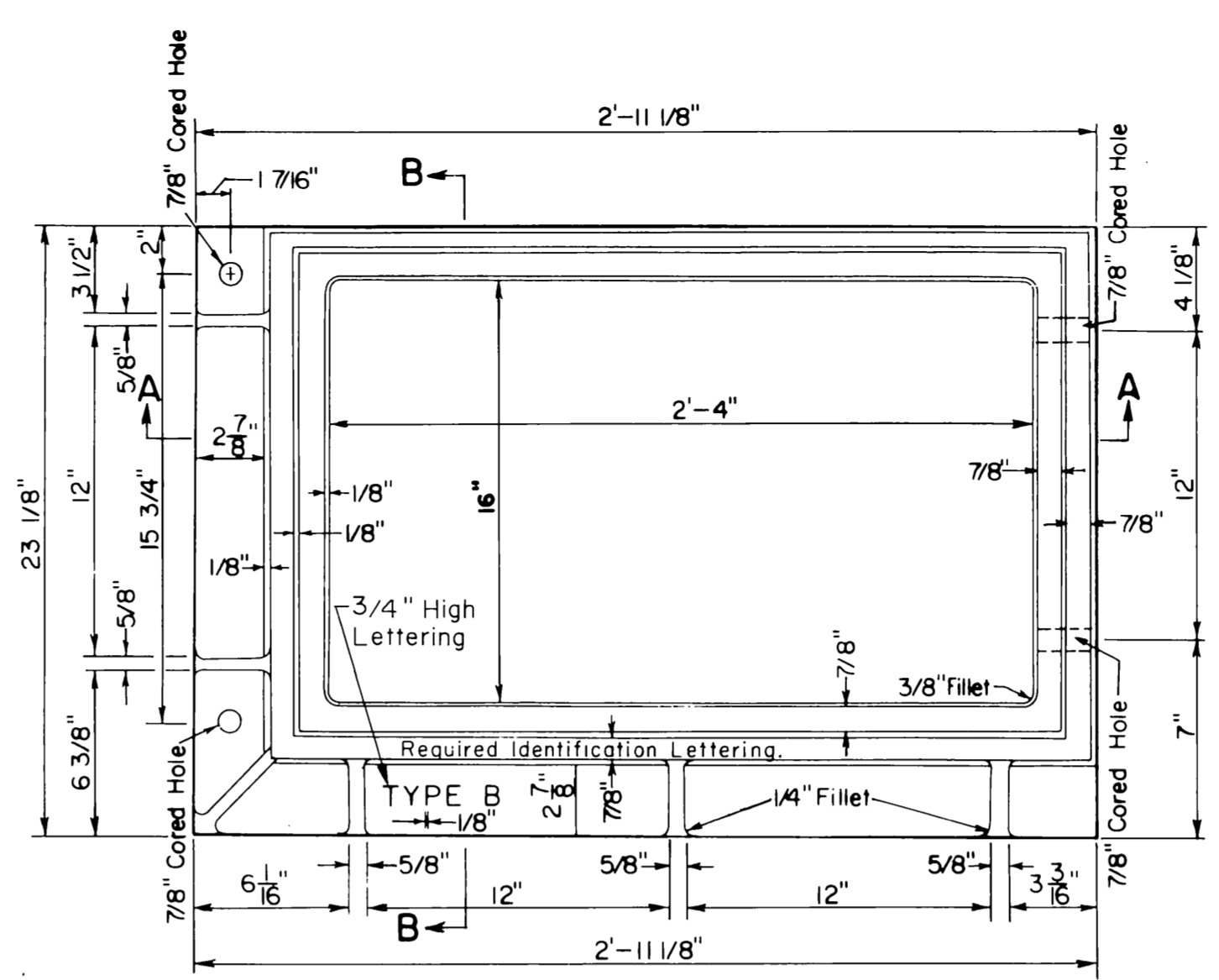
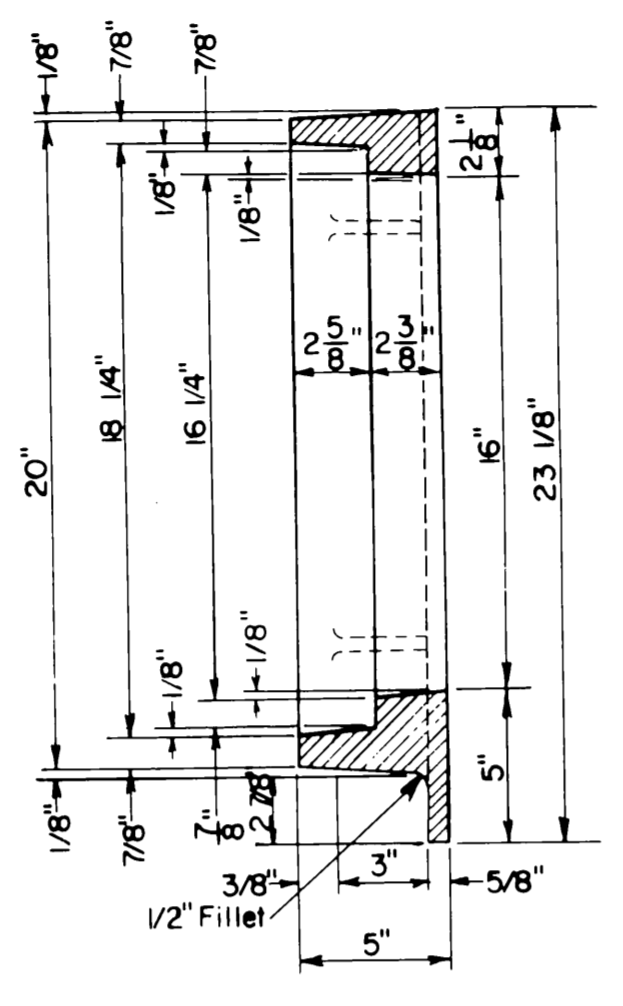
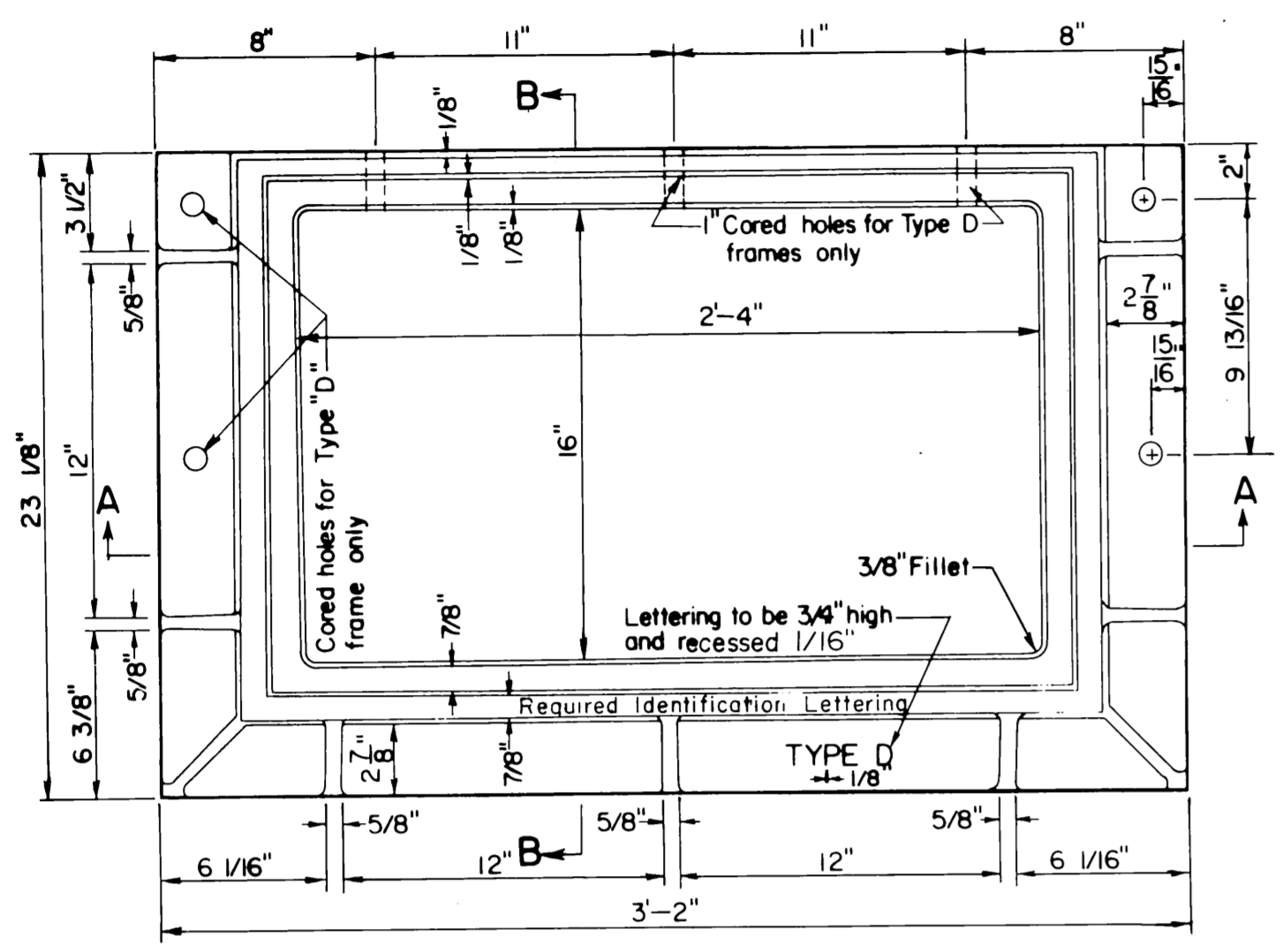


DESCRIPTION	REVISIONS	DATE
RE-ISSUE		



STORM SEWER INLET FRAME
TYPE "A" FOR INLET DESIGN NO. 1
TYPE "D" FOR INLET DESIGN NO. 6 & 7

STORM SEWER INLET FRAME
TYPE "B" FOR INLET DES. NO. 2 & 3

GENERAL NOTES

ALL CONSTRUCTION AND MATERIAL REQUIREMENTS SHALL BE IN ACCORDANCE WITH THE STANDARD SPECIFICATIONS.

INLET DESIGN NO. 1 REQUIRES TYPE A FRAME SAME AS TYPE D (AS SHOWN) WITH NO HOLES FOR APPURTENANCES.

INLET DESIGN NO. 2 AND DESIGN NO. 3 REQUIRE TYPE B FRAME (AS SHOWN) AND ONE REVERSE FRAME FOR EACH PAIR OF DOUBLE FRAMES.

INLET DESIGN NO. 2 REQUIRES 2-3/4"x5" BOLTS WITH NUTS AND S4 X 7.7 X 3'-4" SUPPORT BEAM. IF BUILT ON CURVED CURB, THE INLET REQUIRES 1-3/4"x 5" BOLT, 1-3/4" X 6-1/2" BOLT WITH NUTS AND S4 X 7.7 X 3'-4" SUPPORT BEAM, WITH 1-3/8" X 5" X 24" PLATE ATTACHED FOR EACH DOUBLE FRAME.

INLET DESIGN NO. 3 REQUIRES THE SAME APPURTENANCES AS DESIGN NO. 2 AND IN ADDITION REQUIRES THE SUPPORT BEAM WITH 1 1/2" X 10" X 2'-6 1/2" PLATE ATTACHED AND 4-3/4" X 1-3/4" BOLTS WITH NUTS, BETWEEN EACH PAIR OF DOUBLE FRAMES.

INLET DESIGN NO. 6 REQUIRES TYPE D FRAME AND THREE FILLER PLATES (AS SHOWN) AND 3-3/4" X 6" BOLTS WITH NUTS.

INLET DESIGN NO. 7 REQUIRES TYPE D FRAME AND SAME APPURTENANCES AS DESIGN NO. 6 AND IN ADDITION REQUIRES W8 X 17 X 4'-2" SUPPORT BEAM WITH RISER PLATES (AS SHOWN) AND 4-3/4" X 2 1/2" AND 4-3/4" X 3 1/2" BOLTS WITH NUTS BETWEEN EACH PAIR OF DOUBLE FRAMES.

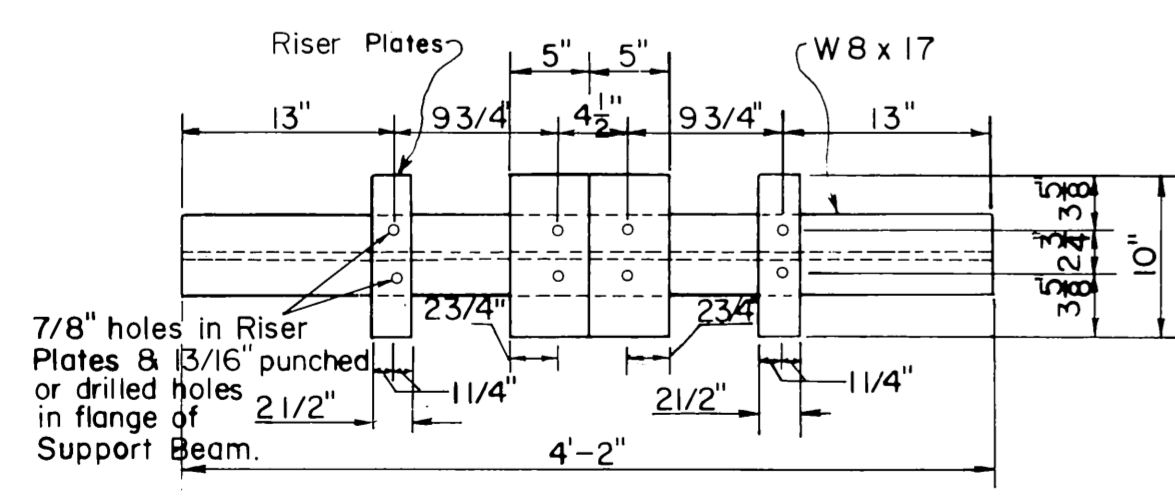
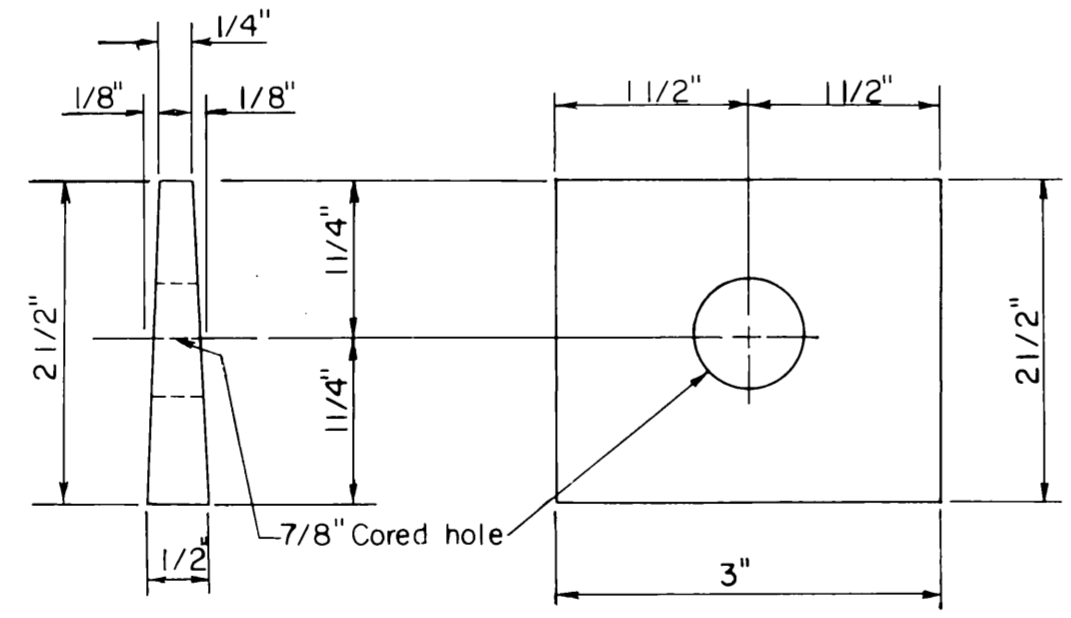
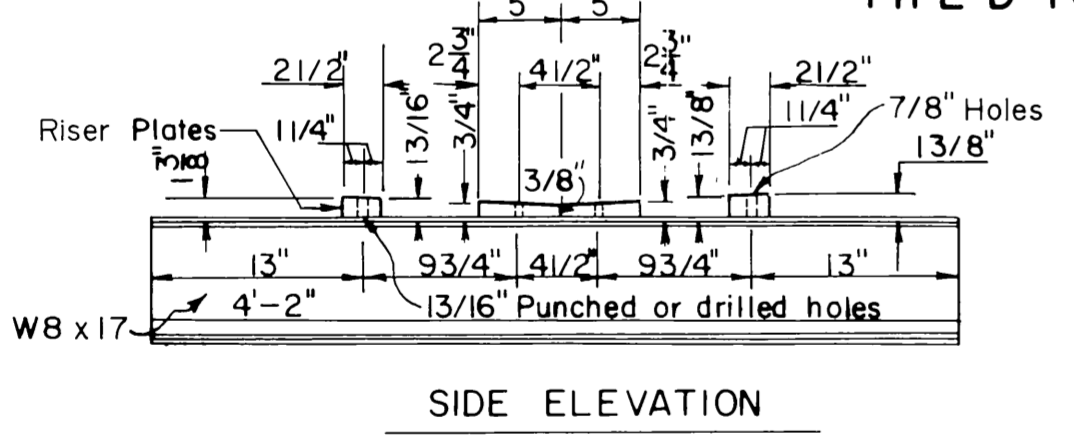
COST OF SUPPORT BEAM OR SUPPORT BEAM WITH RISER PLATES TO BE INCLUDED IN PRICE BID FOR INLET FRAME AND GRATE OR INLET FRAME.

ALL LETTERING TO BE RECESSED 1/16" AND SHALL NOT EXCEED 1" IN HEIGHT. INFORMATION REQUIRED SHALL BE AS STATED IN THE SPECIFICATIONS. LOCATION OF LETTERING TO BE AS SHOWN WITH ADDITIONAL IDENTIFICATION LETTERING AT OTHER LOCATIONS ACCEPTABLE.

FRAMES SHALL BE CAST STEEL, DUCTILE IRON, OR GRAY IRON CONFORMING TO SECTION 725 OF THE STANDARD SPECIFICATIONS.

BASIS OF PAYMENT		
ITEM NO.	ITEM	UNIT
611.06(G)	INLET FRAME AND GRATE	EA.

FRAMES AS SHOWN HERE WITH GRATES FROM STD. CIG (TYPE VG-F OR RVG-F) COMPRISE THE PAY ITEM.



SUPPORT BEAM W/RISER PLATES
FOR DESIGN NO. 7 ONLY

APPROVED BY

RURAL DES. ENGR.	URBAN DES. ENGR.	BRIDGE ENGINEER	CONST. ENGINEER	ASS'T. DIR. / DES.
<i>[Signature]</i>	<i>[Signature]</i>	<i>[Signature]</i>	<i>[Signature]</i>	R.B. Hankins
DATE 12-9-88	DATE 12-8-88	DATE 12-5-88	DATE 12-1-88	DATE 12-17-88

OKLAHOMA DEPT. OF TRANSPORTATION
STANDARD

STORM SEWER INLET FRAMES
(SSI INLETS)

1988 SPECIFICATIONS

OBSOLETE

SSIF-1-2