

NOWATA COUNTY RIP RAP REPAIR PROJECT

Bridge 76 over Purgatory Creek
On NS406 Road approximately ¼ mile north of EW025 Road
Lat 36° 39' 32" Long 95° 46' 25"
Nowata County, Oklahoma

Notice to Prospective Bidders

PROJECT DESCRIPTION: Repair to the rip rap at Bridge 76 over Purgatory Creek located on NS406 Road approximately ¼ miles north of EW 025 Road.

FUNDING: The project shall be funded with local County funds and shall be governed by strict guidelines for use of funds.

BID OPENING DATE: The bids shall be opened and reviewed and possibly awarded on Monday, October 21, 2019.

PLANS AND SPECIFICATION: Bid packages are available at the Office of the Clerk of Nowata County, 229 North Maple St, Nowata, OK 74048, between the hours of 9:00 A.M. and 5:00 P.M. Monday, October 8th, 2019 through Friday, October 18th, 2019.

Engineering standard questions shall be directed to:

John Blickensderfer, P.E.
Guy Engineering Services, Inc.
6910 E. 14th St
Tulsa, OK 74112
918-437-0282 Ext 101
John-b@guyengr.com

Non-engineering plan questions shall be directed to:

Burke LaRue, Commissioner
Nowata County, District 1
229 North Maple St
Nowata, OK 74048
918-273-3881

No questions will be accepted within 3 days prior to bid due date.

NOWATA COUNTY RIP RAP REPAIR PROJECT

Bridge 76 over Purgatory Creek
On NS406 Road approximately ¼ mile north of EW025 Road
Lat 36° 39' 32" Long 95° 46' 25"
Nowata County, Oklahoma

PROPOSAL

SPECIFICATIONS FOR THIS PROJECT ARE PER STANDARDS, DOCUMENTS, AND SPECIAL PROVISIONS.

Bidders are requested to view the jobsite. Further information and questions concerning this project should be directed to John Blickensderfer, P.E., Guy Engineering Services (918) 437-0282 Ext 101 or john-b@guyengr.com.

LUMP SUM BID:

_____ \$ _____
Words Figures

Work will be completed in _____ calendar days.

Bid Bond, certified check or cashier's check in the amount of not less than five percent (5%) must be enclosed.

This bid includes labor, materials, tools, incidentals, insurance and bonding. Please note that the contractor receiving award of contract must provide Performance, Statutory, and Maintenance bonds.

Nowata County reserves the right to reject any and all bids that are not according to the specifications.

Submitted By: _____ Title: _____

Company: _____

Address: _____

Telephone Number: _____ Federal Tax I.D. Number: _____

Seal (If Corporation)

Attest: _____
Secretary

State of Oklahoma)

§

County of _____)

Subscribed and sworn to before me this _____ day of _____, 2019

My Commission Expires: _____
Notary Public

NOWATA COUNTY RIP RAP REPAIR PROJECT

Bridge 76 over Purgatory Creek
On NS406 Road approximately ¼ mile north of EW025 Road
Lat 36° 39' 32" Long 95° 46' 25"
Nowata County, Oklahoma

Scope of Work

1. Project description: The Commissioners of Nowata County wish to repair the rip rap under and around Bridge 76 over Purgatory Creek and replace the side drain under the driveway at Station 25+19.23.

2. Construction services:

a. Special Note: The project shall be a Nowata County Project funded with local County funds. This bid and contract are for the labor, equipment, tools, materials, and incidentals to repair the rip rap and replace the side drain in accordance with the plans provided and the ODOT standards and specifications and special provisions.

b. Any questions shall be submitted in writing to the engineer at the address or email below. Questions shall be directed to the attention of John Blickensderfer, P.E. Questions will not be accepted within 3 working days of bid due date.

Guy Engineering Services, Inc.
6910 E. 14th St.
Tulsa, OK 74112
918-437-0282 Ext 101
John-b@guyengr.com

3. Schedule:

a. The Contractor shall begin work not later than 10 days following contract award.

b. The Contractor will have 60 days to complete.

4. Bid Items:

Important Notice: Bidder shall submit a proposal that represents the labor, equipment, tools, and incidentals required to complete the project in accordance with the provided plans and the ODOT standards and specifications and special provisions.

Bid shall include the following:

Labor, Equipment, Tools, Materials and Incidentals \$_____.

Quantities are estimated and included on the provided plans.

NOWATA COUNTY RIP RAP REPAIR PROJECT

**Bridge 76 over Purgatory Creek
On NS406 Road approximately ¼ mile north of EW025 Road
Lat 36° 39' 32" Long 95° 46' 25"
Nowata County, Oklahoma**

SPECIAL PROVISIONS

The standards & details provided by the County are for use as a guide, the contractor shall be responsible for calculations, measures, and quantities used in the bid submittals.

Submittals shall include all required material, labor, equipment, incidentals, bonding and insurance required. Any obligation or expense to the County shall be stated on the bid submittal documentation.

Any item in conflict for interpretation shall be clarified before the bid opening or shall be subject to the discretion of the County after award of the bids.

Contract may be terminated at any time in the event of non-performance or substandard performance, workmanship or materials.

**SPECIFICATIONS
FOR
RIP RAP REPAIRS**

**Bridge 76 over Purgatory Creek
On NS406 Road approximately ¼ mile north of EW025 Road
Lat 36° 39' 32" Long 95° 46' 25"
Nowata County, Oklahoma**

PART I - GENERAL

A. DESCRIPTION

Synopsis:

This bid is for the repairs to the rip rap placed under and around Bridge 76 over Purgatory Creek.

1. BASE BID:

Repair the rip rap slopes in accordance with the plans provided.
Replace the side drain under the driveway at Station 25+19.23.

The quantities required are an estimate based on the plans provided.

The 2009 OKLAHOMA STANDARD SPECIFICATIONS FOR HIGHWAY CONSTRUCTION – ENGLISH will be used for all labor, equipment, tools, and incidentals required to repair the rip rap slopes.

Special provisions provided shall also apply to this contract.

SURVEY CONTROL DATA

HORIZONTAL DATUM:
 OKLAHOMA NORTH ZONE (3501) NAD 83.
 BEARINGS ARE BASED ON STATE PLANE
 GRID, AND ARE NOT ASTRONOMIC.
VERTICAL DATUM:
 NAVD 1988
SCALE FACTOR:
 1.0000000

DESCRIPTION	REVISIONS	DATE
-------------	-----------	------

INDEX OF SHEETS

0001	TITLE SHEET
0002	SUMMARY OF PAY QUANTITIES & NOTES (BRIDGE)
0003	GENERAL PLAN & ELEVATION
0004	EROSION CONTROL SHEETS
0005	PLAN AND PROFILE SHEETS
X009	CROSS SECTION AND PIPE DETAIL

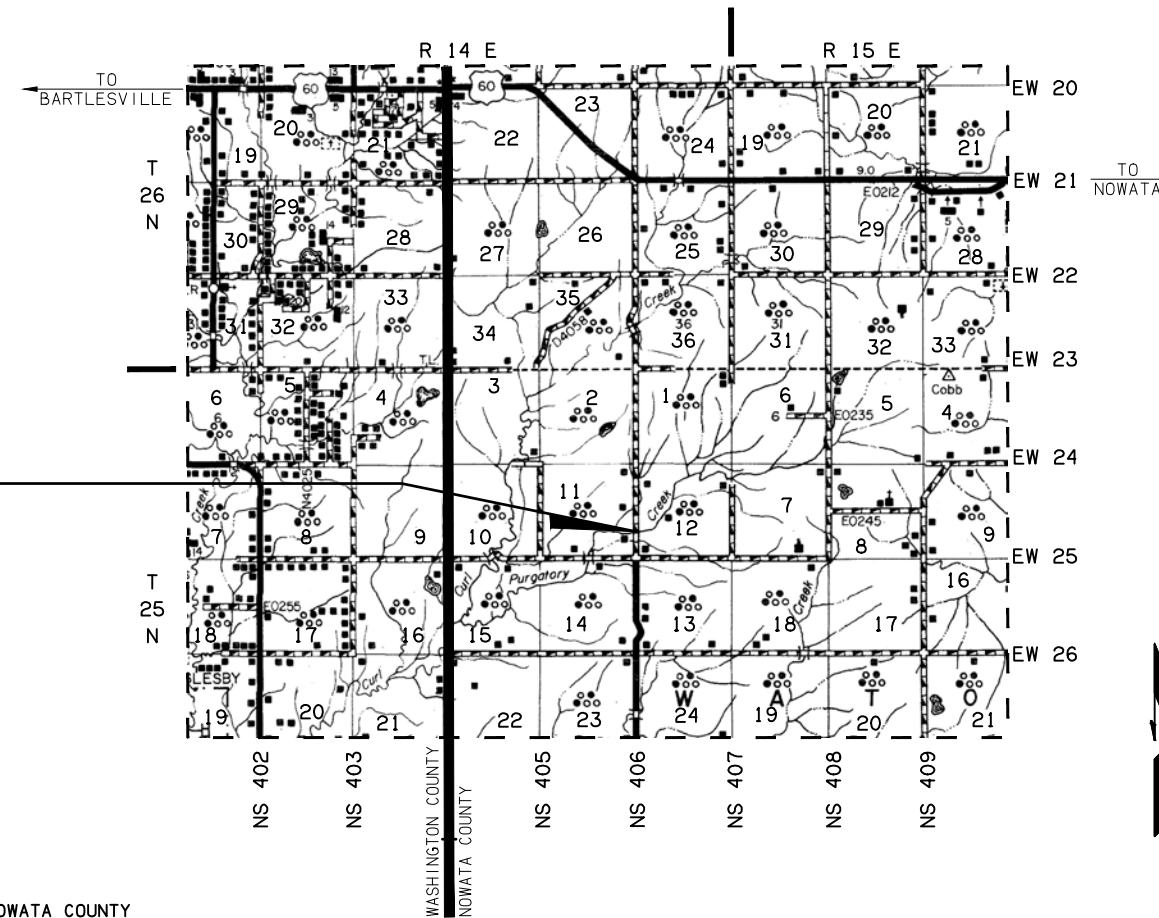
**PLAN OF PROPOSED
 DRAINAGE IMPROVEMENTS
 FOR
 NOWATA COUNTY**

PROJECT LOCATION
 LATITUDE $W36^{\circ}39'32''$ LONGITUDE $N95^{\circ}46'25''$

THE FOLLOWING ODOT STANDARD
 DRAWINGS ARE REQUIRED

ROADWAY

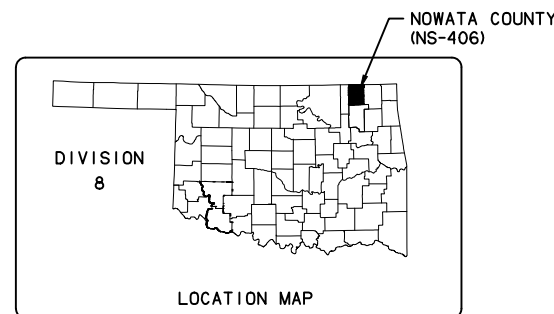
- SSS-1-1
- TSC2-3-2
- TSD-2-0
- TRFD-1-0
- CET4S-3-2
- SP1-4-1
- RD1-3-2
- SPB-1-4



PROJECT LOCATION

SCALES
 PLAN 1" = 20'
 PROFILE HOR. 1" = 20'
 VER. 1" = 5'
 LAYOUT MAP 1" = 5,280'

- CONVENTIONAL SYMBOLS**
- PROPOSED ROAD
 - RAILROADS
 - RANGE & TOWNSHIP
 - SECTION LINES
 - QUARTER SECTION LINES
 - FENCES
 - GROUND LINE
 - EXISTING ROADS
 - BASE LINE
 - GRADE LINES
 - TELEPHONE & TELEGRAPH
 - POWER LINES
 - BUILDINGS
 - OILWELL
 - DRAINAGE STRUCTURES - IN PLACE
 - DRAINAGE STRUCTURES - NEW
 - RIGHT-OF-WAY LINES - EXISTING
 - RIGHT-OF-WAY LINES - NEW
 - CONTROLLED ACCESS
 - MAILBOX
 - EXISTING CENTERLINE
 - EXISTING SANITARY SEWERS
 - EXISTING GAS LINES
 - EXISTING WATER LINES
 - EXISTING TELEPHONE CABLES UNDERGROUND



APPROVED
 THIS _____ DAY OF _____ 2019
 BOARD OF COUNTY COMMISSIONERS
 NOWATA COUNTY, OKLAHOMA

CHAIRMAN _____

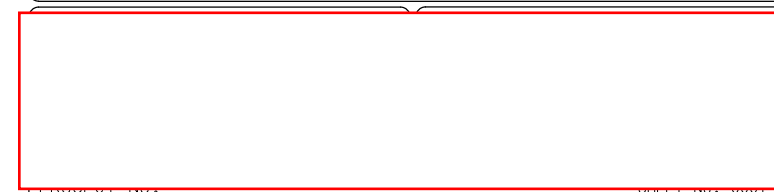
MEMBER _____

MEMBER _____

ATTEST: _____
 COUNTY CLERK

GUY ENGINEERING
 Certificate of Authorization No. 1427
 Renewal Date: June 30, 2020

JOHN E. BLICKENSDEFER, P.E. NO. 20212



GENERAL NOTES

SPECIFICATIONS:

COMPLY WITH THE REQUIREMENTS OF THE 2009 OKLAHOMA STANDARD SPECIFICATIONS FOR HIGHWAY CONSTRUCTION, EXCEPT AS MODIFIED BY THE PLANS AND SPECIAL PROVISIONS.

RIPRAP:

A 18" THICK LAYER OF TYPE I-A PLAIN RIPRAP WITH 6" THICK LAYER OF TYPE I-A FILTER BLANKET SHALL BE PLACED AT THE ABUTMENTS AS SHOWN IN THE PLANS. THE FILTER BLANKET SHALL BE PLACED IN ONE LAYER.

GENERAL CONSTRUCTION NOTES

EXISTING ROAD SHALL BE OPEN TO THROUGH TRAFFIC. THE CONTRACTOR SHALL MAINTAIN ACCESS TO ALL DRIVES AND FIELD ENTRANCES DURING CONSTRUCTION. THE CONTRACTOR WILL BE RESPONSIBLE FOR ALL CONSTRUCTION SIGNS, BARRICADES, LIGHTS, ETC. IN ACCORDANCE WITH THE STANDARDS SET FORTH IN THE "MANUAL ON UNIFORM TRAFFIC CONTROL DEVICES", CURRENT EDITION, AND AS SHOWN ON TCS STANDARD DRAWINGS. ALL COST TO BE INCLUDED IN PRICE BID FOR "CONSTRUCTION TRAFFIC CONTROL". (THE TRAFFIC MANAGEMENT PLAN SHALL CONFORM TO ODOT'S LATEST STANDARDS AND MUTCD GUIDELINES.)

ALL TREES, BRUSH, AND OTHER DEBRIS THAT MIGHT INTERFERE WITH THE FLOW OF WATER SHALL BE CLEANED OUT TO THE RIGHT-OF-WAY LINE, AT EACH STRUCTURE AND BRIDGE, IN A MANNER APPROVED BY THE ENGINEER. ALL COST TO BE INCLUDED IN OTHER ITEMS OF WORK.

ALL FLOWLINES THAT ARE TO BE FILLED SHALL BE THOROUGHLY TAMPED BEFORE CONSTRUCTION OR EXTENSION OF DRAINAGE STRUCTURES. ALL COST TO BE INCLUDED IN OTHER ITEMS OF WORK.

THE CONTRACTOR SHALL NOT WASTE ANY EXCESS EXCAVATION UNTIL ALL PLANNED EMBANKMENTS AND BACKFILLS ARE COMPLETED. EXCESS UNCLASSIFIED EXCAVATION MATERIAL DETERMINED BY THE ENGINEER TO BE SUITABLE FOR BACKFILL SHALL BE USED TO REDUCE ANY UNCLASSIFIED BORROW NEEDED. COST OF SECOND HANDLING SHALL BE INCLUDED IN OTHER ITEMS OF WORK. ANY REMAINING EXCESS EXCAVATION SHALL BECOME THE PROPERTY OF THE CONTRACTOR AND BE DISPOSED OF IN A MANNER APPROVED BY THE ENGINEER.

IN ACCORDANCE WITH OKLAHOMA UNDERGROUND FACILITIES DAMAGE PREVENTION ACT THE CONTRACTOR SHALL NOTIFY THE OKLAHOMA ONE-CALL SYSTEM, INC. 48 HOURS PRIOR TO BEGINNING EXCAVATION. OKLAHOMA ONE-CALL SYSTEM, INC. "CALL OKIE" 1-800-522-6543 OR 811.

THE CONTRACTOR SHALL BE RESPONSIBLE FOR ANY DAMAGE HE MAY INFLICT TO THE EXISTING UNDERGROUND UTILITIES WITHIN THE PROJECT AREA AS A RESULT OF HIS DIGGING, TRENCHING, BORING, ETC.... PRIOR TO DIGGING NEAR THE UTILITIES, THE CONTRACTOR SHALL CALL FOR A LIST OF ALL UNDERGROUND FACILITIES REGISTERED IN THE AREA OF CONSTRUCTION LISTED WITH THE FOLLOWING AGENCIES:

THE "OKIE" NOTIFICATION CENTER 811 OR 1-800-522-6543 OR WWW.CALLOKIE.COM OR THE LOCAL COUNTY CLERK'S OFFICE.

DEPTH OF EXISTING UTILITIES SHALL BE VERIFIED BY THE CONTRACTOR PRIOR TO CONSTRUCTION.

THE CONTRACTOR SHALL NOTIFY THE COUNTY 14 CALENDAR DAYS PRIOR TO BEGINNING OF CONSTRUCTION ACTIVITIES.

PAY QUANTITY NOTES

(R-1) PAYMENT FOR THIS ITEM WILL BE BASED ON PLAN QUANTITIES ONLY. SEE SECTION 109.01B OF THE STANDARD SPECIFICATIONS .

(R-7) FOR SOLID SLAB SODDING, PRICE BID TO INCLUDE COST OF 10-20-10 FERTILIZER, ESTIMATED AT 200 POUNDS PER 1000 S.Y.

(R-8) FOR SOLID SLAB SODDING PRICE BID TO INCLUDE THE COST OF WATERING, ESTIMATED AT 80 GALLONS PER S.Y.

(R-32) ESTIMATED AT 112 LBS. PER. SQ. YD. PER 1" THICK.

1) COST TO INCLUDE TEMPORARY SEDIMENT REMOVAL. REMOVE SEDIMENT WHEN 50% FULL.

2) RIPRAP SHALL BE PLACED AT THE DISCRETION OF THE COUNTY ALONGSIDE THE CREEK BANKS.

3) COST TO REMOVE EXISTING RIPRAP TO BE INCLUDED IN THIS PAY ITEM.

4) COST TO PLACE REMOVED RIPRAP TO BE INCLUDED IN THIS PAY ITEM.

DESCRIPTION	REVISIONS	DATE

PAY QUANTITIES					
ITEM		DESCRIPTION	PAY NOTES	UNIT	QUANTITY
202(A)	1301	UNCLASSIFIED EXCAVATION	3,R-1	C.Y.	600
221(C)	2801	TEMPORARY SILT FENCE	1, R-1	L.F.	70
221(F)	0100	TEMPORARY SILT DIKE	1, R-1	L.F.	25
221(G)	0152	TEMPORARY ROCK FILTER DAM TYPE 3	R-1	C.Y.	23
230(A)	2806	SOLID SLAB SODDING	R-7,R-8	S.Y.	100
411(C)	5960	SUPERPAVE, TYPE S4(PG 64-22 OK)	R-1,R-32	TON	1
509(B)	0321	CLASS A CONCRETE	R-1	C.Y.	10
601(B)	1353	TYPE I-A PLAIN RIPRAP	2,4, R-1	TON	952
601(C)	1355	TYPE I-A FILTER BLANKET	R-1	TON	238
613(B)	0692	36" CORR. GALV. STEEL PIPE	R-1	L.F.	50
613(M)	7189	TYPE D4 CULVERT END TREATMENT	R-1	EA.	2
880(J)	8905	CONSTRUCTION TRAFFIC CONTROL	R-1	L.SUM	1
641	1552	MOBILIZATION	R-1	L.SUM	1

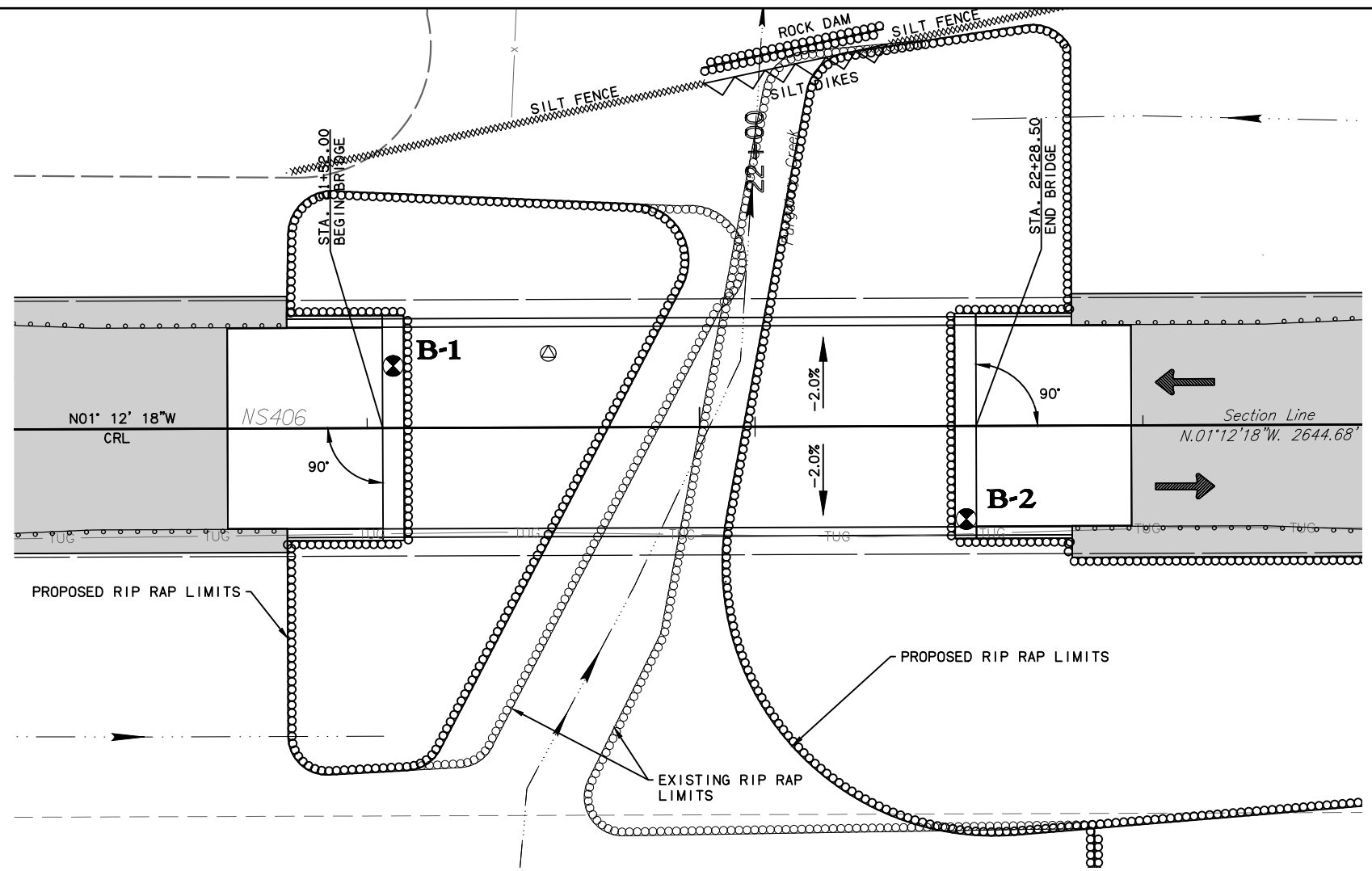
NS406 OVER PURGATORY CREEK		NOWATA COUNTY		Design	ALM	10/16
SUMMARY OF PAY QUANTITIES & NOTES		Detail	ALM	10/16		
		Check	JRW	10/16		
		Squad:	GUY			
GUY ENGINEERING SERVICES, INC.		JOB PIECE NO.	SHEET NO.0002			

DESCRIPTION	REVISIONS	DATE

LEGEND

- BENCHMARK
- EXISTING ASPH. SURFACING
- EXISTING RIP RAP
- PROPOSED RIP RAP
- GUARDRAIL
- SILT FENCE INSTALLATION
- SILT DIKE INSTALLATION
- ROCK DAM INSTALLATION

SUMMARY OF QUANTITIES		
DESCRIPTION	UNIT	TOTAL
UNCLASSIFIED EXCAVATION	C.Y.	600.0
TEMPORARY SILT FENCE	L.F.	70.0
TEMPORARY SILT DIKE	L.F.	25.0
TEMPORARY ROCK FILTER DAM TYPE 3	C.Y.	23.0
SOLID SLAB SODDING	S.Y.	100.0
SUPERPAVE, TYPE S4(PG 64-22 OK)	TON	1.0
CLASS A CONCRETE	C.Y.	10.0
TYPE I-A PLAIN RIPRAP	TON	952.0
TYPE I-A FILTER BLANKET	TON	238.0
36" CORR. GALV. STEEL PIPE	L.F.	50.0
TYPE D4 CULVERT END TREATMENT	EA.	2.0
CONSTRUCTION TRAFFIC CONTROL	L.SUM	1.0



PLAN

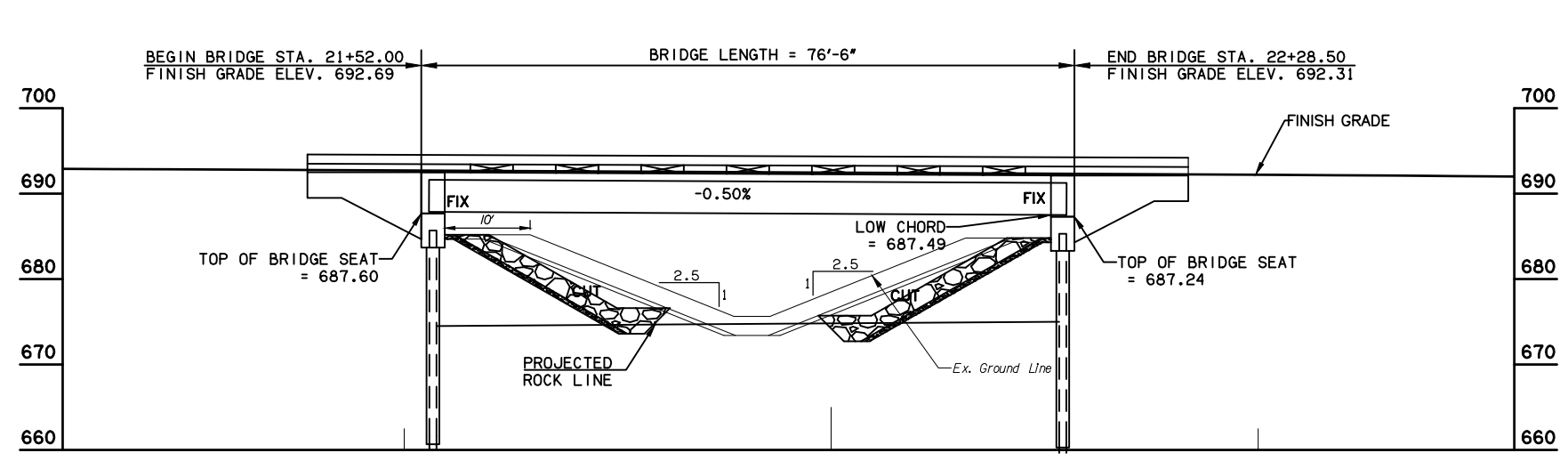
- CONSTRUCTION NOTES:
- REMOVE EXISTING RIP RAP AND STORE ON RIGHT OF WAY FOR REUSE. COST INCLUDED IN UNCLASSIFIED EXCAVATION.
 - EXCAVATE SLOPES TO MEET RIP RAP DETAIL.
 - PLACE NEW FILTER BLANKET.
 - PLACE SALVAGED RIP RAP ON NEW SLOPE. COST INCLUDED IN TYPE 1-A PLAIN RIPRAP.
 - EXTREME CAUTION SHALL BE TAKEN TO NOT DAMAGE CONCRETE BEAMS, DECK, OR ANY PART OF THE BRIDGE.

Benchmark #2
Sta. 19+85.10±, 174.27±Lt.
Top of 4" Pipe
ELEV=688.81
N=611129.342
E=2621341.697

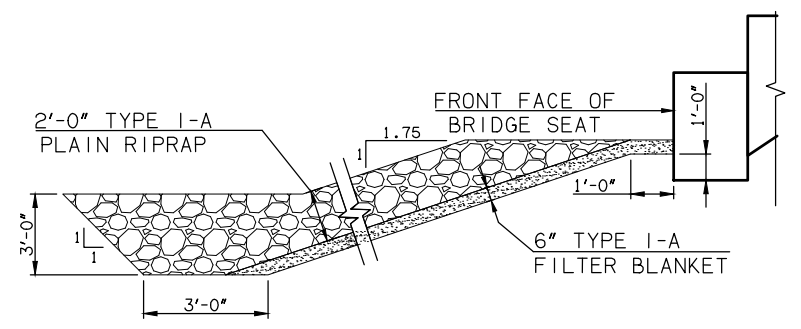
EXIST. BRIDGE "A" CRL STA. 21+90.25
75' TYPE III PC BEAM SPAN,
26'-0" CLEAR ROADWAY, W/TR-3 CONCRETE RAILS
AND APPROACH SLABS. LOW BEAM ELEV. = 687.49.

Benchmark #3
Sta. 24+43.72±, 22.73±Rt.
RR Spike W Face 18"
Hackberry
ELEV=685.40
N=611592.01
E=2621529.01

- AT&T
Scott Burgess - 918-540-1570
105 West Central Avenue
Miami, Oklahoma 74354
- Utility Management & Construction Elm
Bend Water Dist., Inc.
Dave Anderson - 918-535-2302
PO Box 420
Ochelata, Oklahoma 74051
- AEP/PSO
John Willis - 918-337-1263
310 S. Comanche
Bartlesville, Oklahoma 74003
- CEP
Larry Casey - 918-697-4216
PO Box 970
Skiatook, Oklahoma 74070



ELEVATION



SECTION THRU RIPRAP AT BRIDGE SEAT
(DIMENSIONS ARE NORMAL TO BRIDGE SEAT)

NS406 OVER PURGATORY CREEK		NOWATA COUNTY	
GENERAL PLAN & ELEVATION			
CONSTRUCT 75' TYPE III PC BEAM SPAN x 26' CLEAR ROADWAY, SKO°, WITH CONCRETE TRAFFIC RAIL (TR-3), @ STA. 21+90.25			
GUY ENGINEERING SERVICES, INC.		Design	ALM 08/19
		Detail	BLP 08/19
		Check	JRW 08/19
		Squad	GUY
		Engr.	GUY
JOB PIECE NO.			SHEET NO.0003

SEE "BORING LOGS"
SHEETS FOR BORING DATA.

Monday, September 30, 2019 2:08:30 PM
G:\11-632E Br76 Purgatory Creek-Nowata\CAD\PLANS\POST PSE PLANS\GENERAL PLAN & ELEVATION.dwg

AT&T
Scott Burgess - 918-540-1570
105 West Central Avenue
Miami, Oklahoma 74354

Utility Management & Construction Elm
Bend Water Dist., Inc.
Dave Anderson - 918-535-2302
PO Box 420
Ochelata, Oklahoma 74051

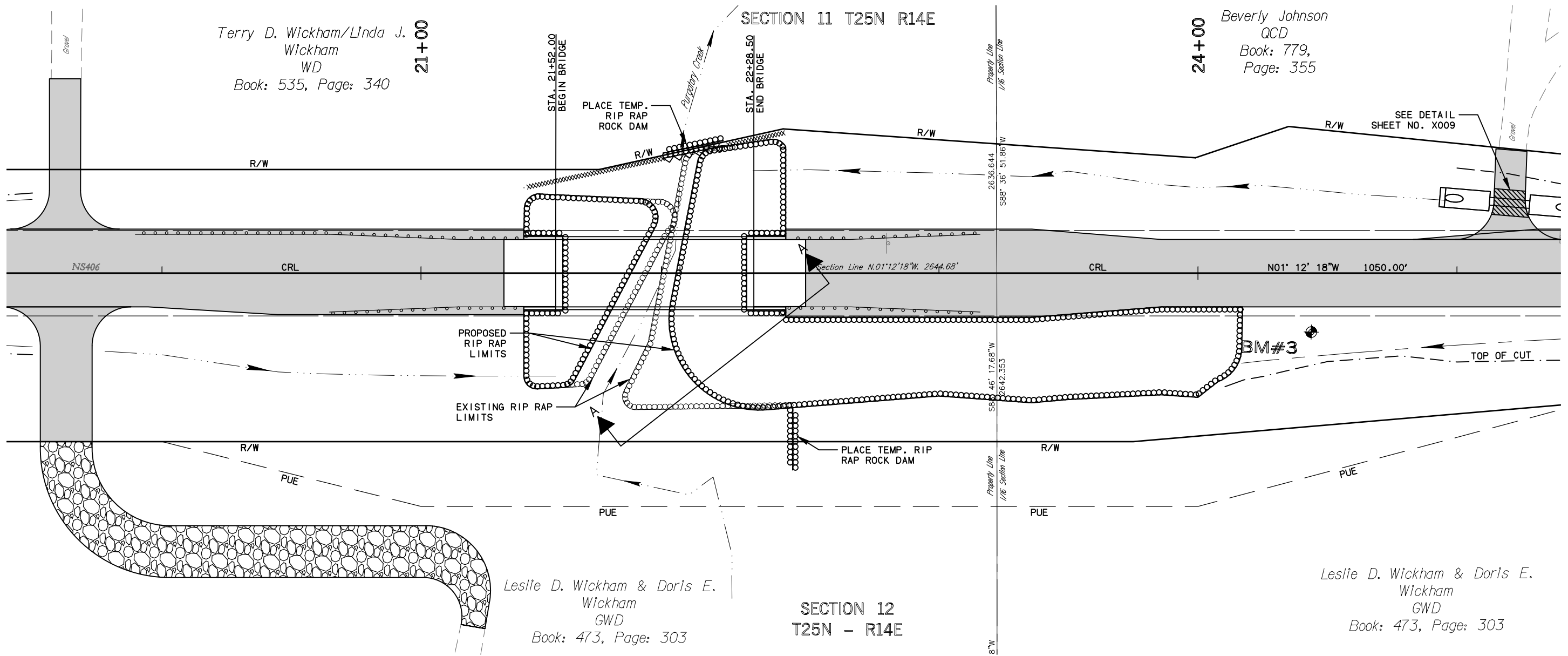
AEP/PSO
John Willis - 918-337-1263
310 S. Comanche
Bartlesville, Oklahoma 74003

CEP (Gas Utilities)
Larry Casey - 918-697-4216
PO Box 970
Sklataook, Oklahoma 74070

DESCRIPTION	REVISIONS	DATE

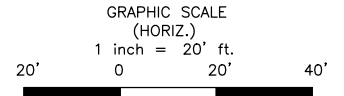
Terry D. Wickham/Linda J. Wickham
WD
Book: 535, Page: 340

24+00
Beverly Johnson
QCD
Book: 779,
Page: 355



Leslie D. Wickham & Doris E. Wickham
GWD
Book: 473, Page: 303

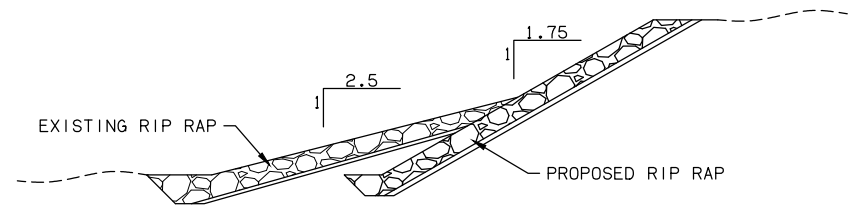
Leslie D. Wickham & Doris E. Wickham
GWD
Book: 473, Page: 303



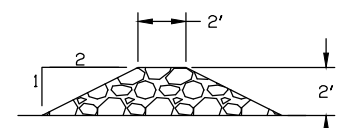
ROCK DAM INSTALLATION

LEGEND

- TEMPORARY SILT DIKE INSTALLATION
- TEMPORARY SILT FENCE INSTALLATION
- EXISTING RIP RAP
- PROPOSED RIP RAP
- ROCK DAM INSTALLATION



SECTION A-A
Not To Scale



TEMP. RIP RAP ROCK DAM

Not To Scale
NOTE: ROCK DAM TO BE CONSTRUCTED USING REMOVED RIP RAP.

DESIGN	ALM	08/19
DRAWN	ALM	08/19
CHECKED	JRW	08/19
APPROVED	JEB	08/19
SQUAD		

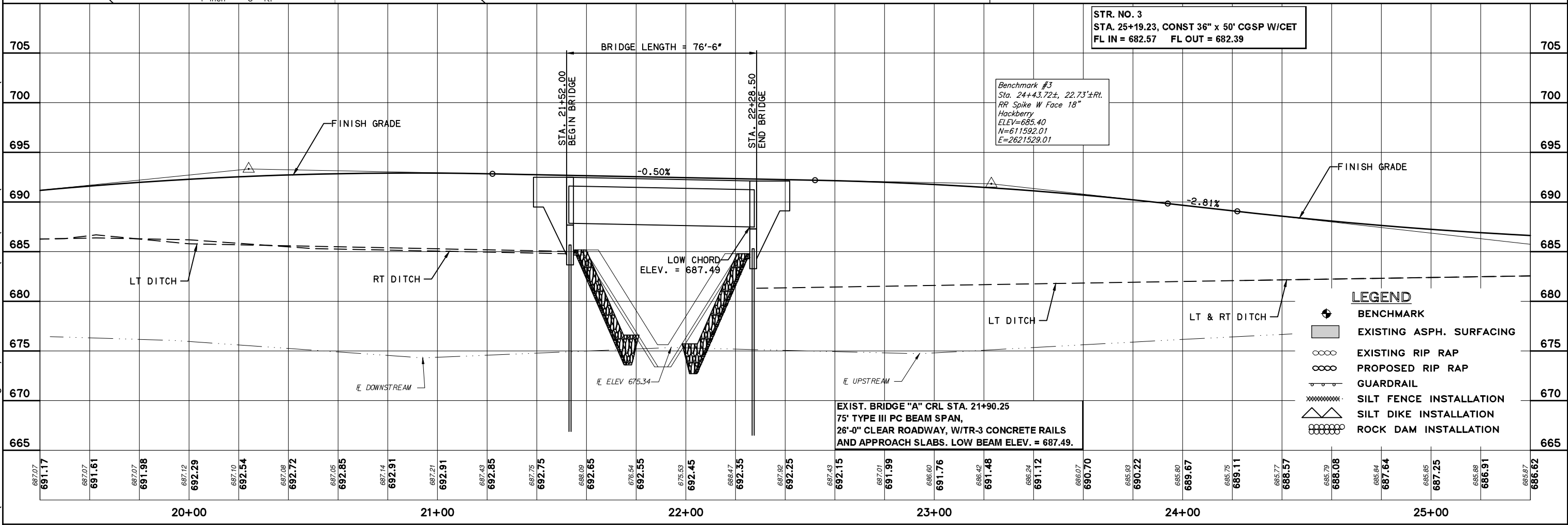
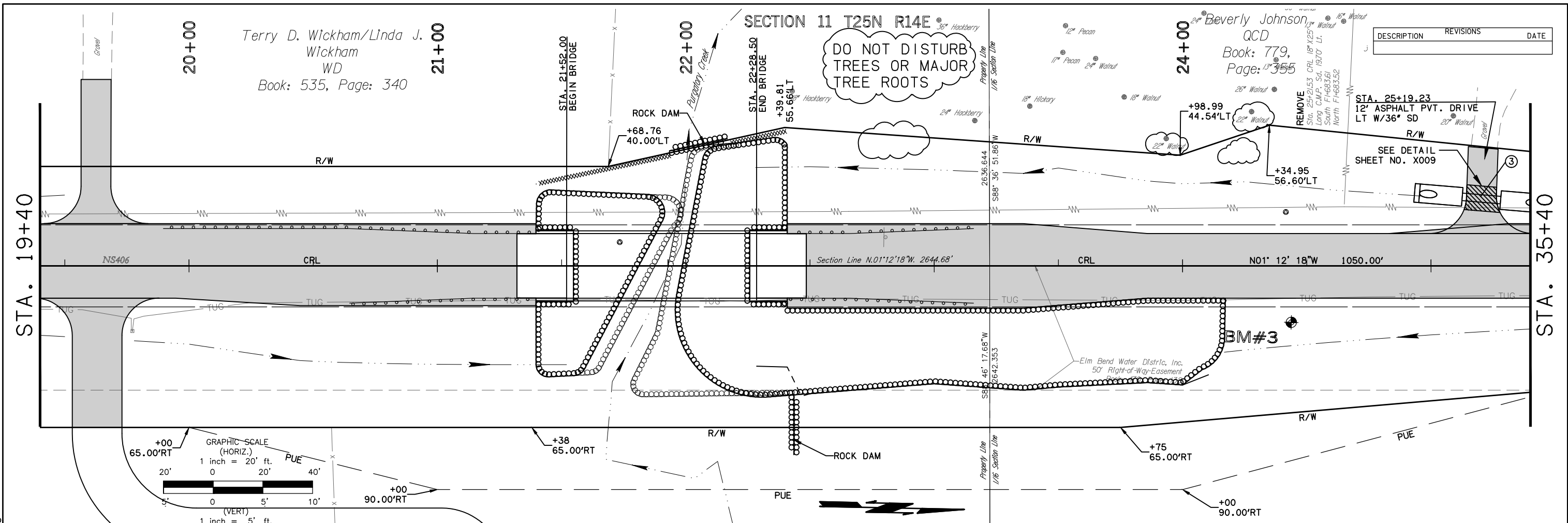
OKLAHOMA DEPARTMENT OF TRANSPORTATION
GUY ENGINEERING SERVICES, INC.

EROSION CONTROL

STATE JOB NO. 27815(04) SHEET NO. 0004

Monday, September 30, 2019 2:07:47 PM G:\11-632E-Br76 Purgatory Creek-Nowata\CAD\PLANS\POST PSE PLANS\632E-EROSION CONTROL.dwg

Monday, September 30, 2019 2:16:36 PM
 G:\11-632E BR76 Purgatory Creek-Nowata\CAD\PLANS\POST PSE PLANS\632E-P&P.dwg



STR. NO. 3
 STA. 25+19.23, CONST 36" x 50' CGSP W/CET
 FL IN = 682.57 FL OUT = 682.39

Benchmark #3
 Sta. 24+43.72±, 22.73'±RT.
 RR Spike W Face 18"
 Hackberry
 ELEV=685.40
 N=611592.01
 E=2621529.01

EXIST. BRIDGE "A" CRL STA. 21+90.25
 75' TYPE III PC BEAM SPAN,
 26'-0" CLEAR ROADWAY, W/TR-3 CONCRETE RAILS
 AND APPROACH SLABS. LOW BEAM ELEV. = 687.49.

- LEGEND**
- BENCHMARK
 - EXISTING ASPH. SURFACING
 - EXISTING RIP RAP
 - PROPOSED RIP RAP
 - GUARDRAIL
 - SILT FENCE INSTALLATION
 - SILT DIKE INSTALLATION
 - ROCK DAM INSTALLATION

