

SEP 17 2018

SHERRY MURRAY
COUNTY CLERK

180702

SA&I 1-4040 (2000)

Canadian _____ County, Oklahoma
COUNTY PURCHASING OFFICE
Canadian _____ County Court House
El Reno _____, Oklahoma
Phone: (405) 295-6125

INVITATION TO BID

DATE ISSUED September 17, 2018
Page 1 of 2

PLEASE REVIEW TERMS AND CONDITIONS ON REVERSE
SIDE RELATING TO SUBMISSION OF THIS BID.
Notarized Affidavit completions and signature required on reverse side.

BID NUMBER #2019-#06	Radio Rd & Evans Rd Bridge Project / District #1	BID CLOSING DATE AND HOUR Oct 15, 2018 @ 9:30am	REQUIRED DELIVERY DATE SEE SPECIFICATIONS _____ Days after award of Purchase Order
-------------------------	---	--	--

TERMS Net, FOB Bids will be received beg. 9:30am Tuesday Oct 9 until Oct 15, 2018 @ 9:30am	DATE OF DELIVERY: SEE SPECIFICATIONS
---	---

ITEM	QUANTITY	UNIT OF ISSUE	DESCRIPTION	UNIT PRICE	TOTAL
1 or more			<p>Canadian County Distriict #1 is seeking bids for Radio Rd & Evans Rd Bridge Project.</p> <p>See Specifications attached.</p> <p>The Board of Canadian County Commissioners reserves the right to reject any and all bids or to award all or any portion of the items bid. All data will be considered in the awarding of the bid including the delivery time.</p> <p><u>The terms & conditions of this document must be completed and returned or the bid will be rejected.</u></p> <p>Contact person: Justin Atkinson, District #1 Foreman 1103 N. Shepard Ave El Reno, OK 73036 (405) 262-4673</p>		<p>\$ _____</p> <p>Total</p>

APPROVED

Date: 9/13/2018

Man G. Yoder
Officer or Department Head

TERMS AND CONDITIONS

1. Sealed bids will be opened in the Commissioner's Conference Room, Canadian
County Courthouse, 201 N. Choctaw Avenue, El Reno, Oklahoma, at the time and date shown on the invitation to bid form.
2. Late bids will not be considered. Bids must be received in sealed envelopes (one to an envelope) with bid number and closing date written on the outside of the envelope.
3. Unit prices will be guaranteed correct by the bidder.
4. Firm prices will be F.O.B. destination.
5. Purchases by Canadian County, Oklahoma, are not subject to state or federal taxes.
6. This bid is submitted as a legal offer and any bid when accepted by the County constitutes a firm contract.
7. Oklahoma laws require each bidder submitting a bid to a county for goods or services to furnish a notarized sworn statement of non-collusion. A form is supplied below.
8. Bids will be firm until 11/15/2018
(DATE)

AFFIDAVIT: I, the undersigned, of lawful age, being first duly sworn on oath say that he (she) is the agent authorized by the bidder to submit the above bid. Affiant further states that the bidder has not been a party to any collusion among bidders in restraint of freedom of competition by agreement to bid at a fixed price or to refrain from bidding; or with any state official or employee as to quantity; quality or price in the prospective contract or any other terms of said prospective contract; or in any discussions between bidders and any state official concerning exchange of money or other thing of value for special consideration in the letting of a contract; that the bidder/contractor has not paid, given or donated or agreed to pay, give or donate to any officer or employee of the State of Oklahoma (or other entity) any money or other thing of value, either directly or indirectly in the procuring of the award of a contract pursuant to this bid.

Subscribed and sworn before this _____ day

of _____, 20 _____

(SEAL)

Firm: _____

My commission expires _____

Signed by: _____ Title: _____
(Manual Signature of Undersigned)

NOTARY PUBLIC (CLERK OR JUDGE)

Address: _____ Phone: _____

City: _____ State: _____

Zip: _____

Please mail sealed bids to:
Canadian County Clerk's Office
Attn: Purchasing
PO Box 458
El Reno, OK 73036

Street Address:
201 N Choctaw Avenue
El Reno, OK 73036



**Canadian County
Purchasing**

Bid Specifications

Date Issued: September 17, 2018
Bid Number: **2019-#06**
Closing Date: October 15, 2018 at 9:30am
PO Box 458, 201 N. Choctaw Ave., El Reno, OK 73036
Opening Date: October 15, 2018 at 9:30am
Commissioner's Meeting Room, 201 N. Choctaw Ave., El Reno, OK 73036

~ SPECIFICATIONS~

Radio Rd & Evans Rd Bridge Project / District #1

Canadian County District #1 is seeking bids for Radio Rd & Evans Rd Bridge Project.

Specifications:

Please see attached specifications and plans

**Pre-bid Construction Meeting to be held at Radio Rd Bridge site
Thursday, September 27, 2018 at 9:00 a.m.**

For Information Contact:

Justin Atkinson, District #1 Foreman
Phone: (405) 262-4673
Hours: Monday – Thursday 6:00am to 4:30pm
Address: 1103 N. Shepard Ave, El Reno, OK 73036

If you have any questions or need additional information, please contact:

Lindsey Garrett, Purchasing Agent, 405.295.6125
lgarrett@okcana.cogov.net

201 N. Choctaw Avenue, El Reno, OK 73036
405.295.6125 ~ Fax 405.422.2437
www.canadiancounty.org

CONTRACT DOCUMENTS
AND
PLANS AND SPECIFICATIONS

for

Canadian County
Construction of Bridge Project
Radio Road Bridge
Evans Road Bridge

Prepared

for

Canadian County,

August 2018

PROPOSAL

TO: Canadian County
Commissioners Canadian
County, Oklahoma

Gentlemen:

Pursuant to the notice inviting proposals, the undersigned bidder herewith submits his proposal.

He declares he has carefully examined the Plans, Specifications and forms of Contract and bonds as set forth in the proceedings for:

**Canadian County
Construction of Bridge Project
Radio Road Bridge
Evans Road Bridge**

and that he has reached a full understanding of everything required on said Plans and Specifications, and that he has informed himself as to the kind and quantities of various materials to be furnished and/or the nature and location of the work to be done, and all other matters affecting the work.

The undersigned bidder proposes and agrees that if his proposal is accepted, to enter into contract with the County, on forms prescribed, with approved sureties, within seven (7) days, after notice of award to execute the Contract, and to furnish to the County a satisfactory Performance and Statutory Bond in the sum of 100% of the contract price, guaranteeing the faithful performance of the work and payment of bills.

To do any extra work not covered by the following schedule of prices or stipulated lump sum price which may be ordered by the Engineer and to accept as full compensation therefor such prices as may be agreed upon in writing by the Engineer and the Contractor in accordance with Section 108.04 of the General Provisions.

The Contractor shall take out and maintain public liability insurance in accordance with Section 106.25 of the General Provisions of the Specifications. A copy of said Specifications is now on file in the Office of the County Clerk.

Upon completion of the Contract, the Contractor shall furnish to the County a satisfactory Maintenance Bond in the amount of 100% of the final contract price, guaranteeing the maintenance of the work for a period of **ONE**(1) year after acceptance by the County.

Accompanying this proposal is a proposal guaranty for 5% of the total bid, payable to Canadian County, which is to be forfeited, as liquidated damages, if, in the event that this proposal is accepted, the undersigned shall fail to execute the contract and furnish satisfactory contract bond under the conditions and within the time specified in this proposal. Otherwise said proposal guaranty is to be returned to the undersigned.

PROPOSAL

Canadian County Bridge Project

CONSTRUCTION OF

Radio Road Bridge

Evans Road Bridge

BRIDGE A (RADIO ROAD) PAY QUANTITIES					
Item	Description	Units	Quantity	Unit Price	Total Price
1	BRIDGE CONSTRUCTION LABOR	L.SUM	1		
2	CLASS AA CONCRETE & FINISHING	C.Y.	30		
3	PILE DRIVING BEYOND PLAN QUANTITY	L.F.	100		
TOTAL					

BRIDGE B (EVANS ROAD) PAY QUANTITIES					
Item	Description	Units	Quantity	Unit Price	Total Price
1	BRIDGE CONSTRUCTION LABOR	L.SUM	1		
2	CLASS AA CONCRETE & FINISHING	C.Y.	30		
3	PILE DRIVING BEYOND PLAN QUANTITY	L.F.	100		
TOTAL					

TOTAL BID _____

NON-COLLUSION AFFIDAVIT
To Accompany Contractor's Bid

STATE OF _____)
) ss:
COUNTY OF _____)

_____ (Contractor's Authorized Agent), of lawful age,
being first duly sworn upon his/her oath, states:

1. I am the duly authorized agent of _____ (Bidder's Company Name), the bidder submitting the attached competitive bid (the "bid"), for the purpose of certifying the facts pertaining to the existence or nonexistence of collusion among bidders or between bidders and municipal officials or employees, as well as facts pertaining to the giving or offering of things of value to government personnel in return for special consideration in the award of any contract associated with the bid attached to this document;
2. I am fully aware of the facts and circumstances surrounding the making of the bid and have been personally and directly involved in the proceedings leading to the submission of such bid;
3. Neither the bidder nor anyone subject to the bidder's direction or control has been a party to: Any collusion among bidders to restrain the freedom of competition by agreement to bid at a fixed price or to refrain from bidding; Any collusion with any county official or employee as to quantity, quality, or price in the bid or contemplated contract, or as to any other terms of such bid or contemplated contract; nor any discussions between bidders and any county official or employee concerning the exchange of money or other thing of value for special consideration in the award of the contemplated contract.

Further, Affiant saith not.

Signature of Authorized Agent

Title (printed)

Subscribed and sworn to before me this _____ day of _____, 20_____.

(SEAL)

My commission expires:

Notary Public

BUSINESS RELATIONSHIP AFFIDAVIT

To Accompany Contractor's Bid

STATE OF _____)
) ss:
COUNTY OF _____)

_____(Contractor's Authorized Agent), of lawful age,
being first duly sworn upon his/her oath, states:

1. I am the duly authorized agent of _____ (Bidder's Company Name), the bidder submitting the attached competitive bid (the "bid").
2. My position in the above named company is _____
3. Affiant further states the nature of any partnership, joint venture, or other business relationship presently in effect, or which existed within one (1) year prior to the date of this Affidavit, with the architect, engineer, or other party to the project is as follows:

(if none, so state)

4. Affiant further states that any such business relationship presently in effect or which existed within one (1) year prior to the date of this Affidavit between any official or director of the architectural or engineering firm or any other party to the project is as follows:

(if none, so state)

5. Affiant further states that the names of all persons who have any such business relationship and the positions they hold with their respective companies or firms are as follows:

(if none, so state)

Further, Affiant saith not.

Signature of Authorized Agent

Title (printed)

Subscribed and sworn to before me this _____ day of _____, 20____.

(SEAL)

My commission expires:

Notary Public

MAINTENANCE BOND

KNOW ALL MEN BY THESE PRESENT, that _____, Principal, and _____, a corporation organized under the laws of the State of _____, and authorized to transact business in the State of Oklahoma, as Surety, are held firmly bound unto Canadian County, in the penal sum of _____ Dollars (\$ _____) in lawful money of the United States of America, said sum being the contract price, for the payment of which, well and truly to be made, we bind ourselves and each of us, our heirs, executors, administrators, trustees, successors, and assigns, jointly and severally, firmly by these presents.

Dated this _____ day of _____, 20__.

The condition of this obligation is such that:

WHEREAS, said Principal entered into a written contract with Canadian County, dated _____, 20____, for:

**Canadian County
Construction of Bridge Project
Radio Road Bridge
Evans Road Bridge**

all in compliance with the plans and specifications therefor, made a part of said contract and on file in the Office of the County Clerk, located in the County Courthouse Building in El Reno, Oklahoma.

NOW, THEREFORE, if said Principal shall pay or cause to be paid to Canadian County, Oklahoma, all damage, loss, and expense which may result by reason of defective materials and/or workmanship in connection with said work, occurring within a period of **one (1) year** from and after acceptance of said project by Canadian County, Oklahoma; then this obligation shall be null and void, otherwise to be and remain in full force and effect.

It is further expressly agreed and understood by the parties hereto that no changes or alterations in said contract and no deviations from the plan or mode of procedure herein fixed shall have the effect of releasing the sureties, or any of them, from the obligations of this bond.

IN WITNESS WHEREOF, the said Principal has caused these presents to be executed in its name and its corporate seal to be hereunto affixed by its duly authorized officers, and the same Surety has caused these presents to be executed in its name and its corporate seal to be hereunto affixed by its attorney-in- fact, duly authorized so to do, the day and year first above written.

Principal:

By:

Title

(SEAL)

ATTEST:

Secretary

Surety:

By:

Attorney-in-Fact

PERFORMANCE BOND

KNOW ALL MEN BY THESE PRESENT, that _____, Principal, and _____, a corporation organized under the laws of the State of _____, and authorized to transact business in the State of Oklahoma, as Surety, are held firmly bound Canadian County, Oklahoma, in the penal sum of _____ Dollars (\$ _____) in lawful money of the United States of America, for the payment of which, well and truly to be made, we bind ourselves and each of us, our heirs, executors, administrators, trustees, successors, and assigns, jointly and severally, firmly by these presents.

Dated this _____ day of _____, 20_____.

The condition of this obligation is such that:

WHEREAS, said Principal entered into a written contract with Canadian County Oklahoma, dated _____, 20_____, for:

**Canadian County
Construction of Bridge Project
Radio Road Bridge
Evans Road Bridge**

all in compliance with the plans and specifications therefor. made a part of said contract and on file in the Office of the County Clerk, located in the County Courthouse Building in El Reno, Oklahoma.

NOW, THEREFORE, if said Principal shall in all particulars, well, truly, and faithfully perform and abide by said contract and each and every covenant, condition, and part thereof and shall fulfill all obligations resting upon said principal by the terms of said contract and specifications and if said principal shall protect and save harmless Canadian County, Oklahoma from any pecuniary loss resulting from the breach of any of the items, covenants and conditions of said contract resting upon said principal, then this obligation shall be null and void, otherwise to be and remain in full force and effect.

It is further expressly agreed and understood by the parties hereto that no changes or alterations in said contract and no deviations from the plan or mode of procedure herein fixed shall have the effect of releasing the sureties, or any of them, from the obligations of this bond.

IN WITNESS WHEREOF, the said Principal has caused these presents to be executed in its name and its corporate seal to be hereunto affixed by its duly authorized officers, and the same Surety has caused these presents to be executed in its name and its corporate seal to be hereunto affixed by its attorney-in-fact, duly authorized so to do, the day and year first above written.

Principal:

By:

Title

(SEAL)
ATTEST:

Surety:

Secretary

By:

Attorney-in-Fact

STATUTORY BOND

KNOW ALL MEN BY THESE PRESENT, that _____,
Principal, and _____, a corporation organized under the laws of the State of _____, and authorized to transact business in the State of Oklahoma, as Surety, are held firmly bound unto Canadian County, Oklahoma, in the penal sum of _____ Dollars (\$ _____) in lawful money of the United States of America, for the payment of which, well and truly to be made, we bind ourselves and each of us, our heirs, executors, administrators, trustees, successors, and assigns, jointly and severally, firmly by these presents.

Dated this _____ day of _____, 20 ____.

The condition of this obligation is such that:

WHEREAS, said Principal entered into a written Contract with Canadian County Oklahoma, dated _____, 20 ____ for:

**Canadian County
Construction of Bridge Project
Radio Road Bridge
Evans Road Bridge**

all in compliance with the plans and specifications therefor, made a part of said contract and on file in the Office of the County Clerk, located in the County Courthouse Building in El Reno, Oklahoma.

NOW, THEREFORE, if said Principal shall fail or neglect to pay all indebtedness incurred by said Principal or subcontractors of said Principal who performs work in the performance of such contract, for labor and materials and repairs to and parts of equipment used and consumed in the performance of said contract within thirty (30) days after the same becomes due and payable, the person, firm, or corporation entitled thereto may sue and recover on this bond, the amount so due and unpaid.

It is further expressly agreed and understood by the parties hereto that no changes or alterations in said contract and no deviations from the plan or mode of procedure herein fixed shall have the effect of releasing the sureties, or any of them, from the obligations of this bond.

IN WITNESS WHEREOF, the said Principal has caused these presents to be executed in its name and its corporate seal to be hereunto affixed by its duly authorized officers, and the same Surety has caused these presents to be executed in its name and its corporate seal to be hereunto affixed by its attorney-in-fact, duly authorized so to do, the day and year first above written.

Principal:

By: _____

Title

(SEAL)
ATTEST:

Surety:

Secretary

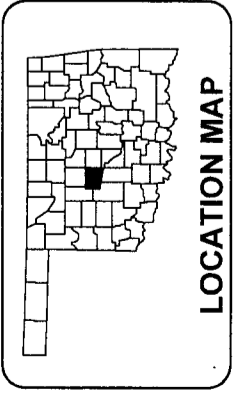
By: _____

Attorney-in-Fact

CANADIAN COUNTY, OKLAHOMA

PLAN OF PROPOSED BRIDGE REPLACEMENT

BRIDGE "A" RADIO ROAD (NS-286) OVER TRIBUTARY TO UNCLE JOHNS CREEK
BRIDGE "B" EVANS ROAD (NS-287) OVER TRIBUTARY TO UNCLE JOHNS CREEK

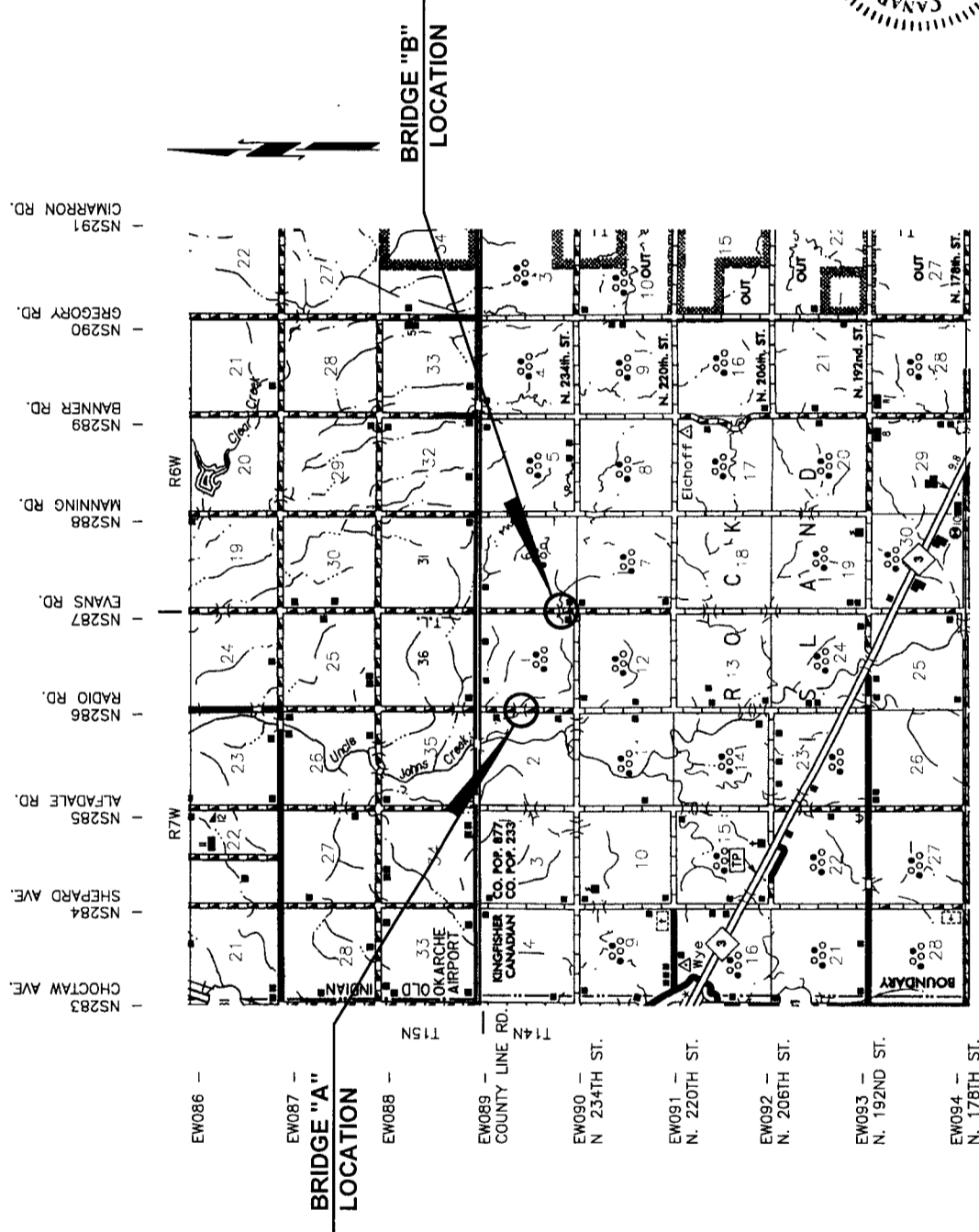


INDEX OF SHEETS

01	TITLE SHEET
02	SUMMARY OF PAY ITEMS AND NOTES
03	ABUTMENT PLAN
04	ABUTMENT DETAILS
05	SUPERSTRUCTURE DETAILS

DESCRIPTION REVISIONS DATE

BID NO. 2018 -



BRIDGE "A" LENGTH _____ 40.00 FT
BRIDGE "B" LENGTH _____ 40.00 FT

STATE OF OKLAHOMA
CANADIAN COUNTY
FILED OR RECORDED

JAN 16 2018

SHERRY MURRAY
COUNTY CLERK
180002

APPROVED:
BOARD OF COUNTY COMMISSIONERS

Maec Hader
MAEC HADER DISTRICT NO. 1
David Anderson
DAVID ANDERSON DISTRICT NO. 2
Jack Stearns
JACK STEARNS DISTRICT NO. 3

Sherry Murray
SHERRY MURRAY COUNTY CLERK
1-16-18 DATE



PREPARED BY:
MKEC ENGINEERING INC.
C.A. NO 2958
RENEWAL DATE 06/30/19
OKLAHOMA CITY, OKLAHOMA

Jonathan T. Hisey
JONATHAN T. HISEY, P.E.
OKLA. REG. NO. 23127

12/11/17 DATE

MKEC

PROFESSIONAL ENGINEER
JONATHAN T. HISEY
23127
OKLAHOMA

GENERAL CONSTRUCTION NOTES

SPECIFICATIONS - COMPLY WITH THE REQUIREMENTS OF THE 2009 OKLAHOMA STANDARD SPECIFICATIONS FOR HIGHWAY CONSTRUCTION, EXCEPT AS MODIFIED BY THE PLANS.
 VERIFICATION OF EXISTING CONDITIONS - THE CONTRACTOR SHALL BE RESPONSIBLE FOR FULLY UNDERSTANDING THE NATURE OF THE WORK AND CONDITIONS UNDER WHICH THE WORK WILL BE PERFORMED.

MATERIALS - ALL MATERIAL MUST BE NEW AND SHALL BE DELIVERED TO CANADIAN COUNTY DISTRICT NO. 1 OR THE JOB SITE AS DIRECTED BY CANADIAN COUNTY DISTRICT NO. 1. PROVIDE FOR H-PILES IN ACCORDANCE WITH ASTM A572 GRADE 50. PROVIDE STRUCTURAL STEEL FOR ROLLED STEEL BEAMS IN ACCORDANCE WITH ASTM A709 GRADE 50. PROVIDE STRUCTURAL STEEL FOR ALL ANGLES, CHANNELS AND STEEL PLATE IN ACCORDANCE WITH ASTM A709 GRADE 36. PROVIDE WELDED STUDS OR CHANNEL HEADERS IN ACCORDANCE WITH ASTM A108, GRADE 1015, 1018 OR 1020.

REMOVAL OF EXISTING BRIDGE - CANADIAN COUNTY WILL REMOVE THE EXISTING BRIDGE.

RIPRAP - CONTRACTOR SHALL NOTIFY CANADIAN COUNTY DISTRICT NO. 1 WHEN ABUTMENTS ARE COMPLETE SO CANADIAN COUNTY CAN PLACE RIPRAP AROUND ABUTMENTS. CANADIAN COUNTY WILL PLACE RIPRAP BEFORE STEEL BEAMS ARE IN PLACE.

CONSTRUCTION TRAFFIC CONTROL - CANADIAN COUNTY WILL BE RESPONSIBLE FOR ALL CONSTRUCTION SIGNING AND TRAFFIC CONTROL. CONTRACTOR SHALL GIVE CANADIAN COUNTY DISTRICT NO. 1 AT LEAST 2 WEEKS NOTICE BEFORE BEGINNING CONSTRUCTION.

PAY ITEM NOTES

- B1 INCLUDES ALL COST OF ALL LABOR, EQUIPMENT, WELDING AND INCIDENTALS NECESSARY TO CONSTRUCT THE BRIDGE, EXCEPT FOR SUPPLYING, PLACING AND FINISHING CONCRETE FOR THE DECK.
- B2 INCLUDE ALL COST ASSOCIATED WITH SUPPLYING THE CONCRETE, PLACING AND FINISHING THE BRIDGE DECK CONCRETE INCLUDING ALL MATERIAL, LABOR, EQUIPMENT AND INCIDENTALS NECESSARY TO COMPLETE THE WORK IN THE CONTRACT UNIT PRICE OF "CLASS AA CONCRETE & FINISHING".
- B3 THE PRICE BID FOR THIS ITEM SHALL ESTABLISH THE CONTRACT UNIT PRICE, PER LINEAR FOOT, FOR THE DRIVING OF THE ABUTMENT SEAT H-PILES PAST THE PLAN LENGTH IF IT IS NECESSARY TO DO SO.

MATERIAL NOTES

- (1) PROVIDE SIX (6) 40'-0" LONG W27X94 (GRADE 50) BEAMS PER BRIDGE.
- (2) QUANTITY BASED ON 2 CAPS 31'-0" LONG.
- (3) QUANTITY BASED ON 12 PILES 30'-0" LONG.
- (4) QUANTITY BASED ON 12 PILES 40'-0" LONG.
- (5) SEAT PILES SHALL BE DRIVEN TO PRACTICAL REFUSAL. WING PILES SHALL BE DRIVEN TO FULL LENGTH OR PRACTICAL REFUSAL, WHICHEVER OCCURS FIRST.
- (6) DRIVE SHEET PILING TO PLAN LENGTH. QUANTITY BASED ON 18'-0" LONG SHEET PILES FOR 2 ABUTMENTS 27'-6" WIDE WITH TWO 11'-6" WINGS.
- (7) QUANTITY BASED ON 25 SHEETS 36" WIDE X 20' LONG.
- (8) QUANTITY BASED ON 16 POSTS 5'-2" LONG.
- (9) ESTIMATED QUANTITY FOR 24 STIFFENER PLATES 1/2"x4 1/2"x8 7/8" IN SIZE.
- (10) PLACE SLAB BOLSTER AT NO MORE THAN 4 FOOT CENTERS. SLAB BOLSTER SHOULD BE 5'-0" IN LENGTH WITH 5" LEG SPACING.
- (11) QUANTITY BASED ON 2 CHANNELS 30'-0" LONG.
- (12) QUANTITY BASED ON 4 CHANNELS 20'-0" LONG.
- (13) QUANTITY BASED ON 42 SECTIONS 5'-8" LONG.

DESCRIPTION REVISIONS DATE

PAY QUANTITIES

BRIDGE A		TOTAL	
ITEM	UNIT	L.SUM	C.Y.
RADIO ROAD (NS-286) 40'-0" STEEL BEAM SPAN, 0' SKEW 26'-4" CLEAR ROADWAY, STEEL TRAFFIC RAIL			
BRIDGE CONSTRUCTION LABOR	B1	1	
CLASS AA CONCRETE & FINISHING	B2	30	
PILE DRIVING BEYOND PLAN QUANTITY	B3	100	

PAY QUANTITIES

BRIDGE B		TOTAL	
ITEM	UNIT	L.SUM	C.Y.
EVANS ROAD (NS-287) 40'-0" STEEL BEAM SPAN, 0' SKEW 26'-4" CLEAR ROADWAY, STEEL TRAFFIC RAIL			
BRIDGE CONSTRUCTION LABOR	B1	1	
CLASS AA CONCRETE & FINISHING	B2	30	
PILE DRIVING BEYOND PLAN QUANTITY	B3	100	

SCHEDULE OF MATERIALS FOR ONE BRIDGE

ITEM	UNIT	AMOUNT
W27 X 94 BEAMS (GRADE 50) X 40'-0" LONG	(1) EA.	6
HP 10 X 42 BENT CAPS	(2) L.F.	62
HP 10 X 42 WING PILES	(3)(5) L.F.	360
HP 10 X 42 SEAT PILES	(4)(5) L.F.	480
10 GAUGE SHEET PILES	(6) S.F.	1,820
36" WIDE 22 GAUGE STEEL DECK FORMS	(7) L.F.	500
W6 X 20 BRIDGE TRAFFIC RAIL POSTS	(8) L.F.	120
1/2" X 5" PLATE	(9) EA.	20
1" X 5'-0" SLAB BOLSTER	(10) EA.	64
2" X 5'-0" SLAB BOLSTER	(10) EA.	55
#4 REINFORCING STEEL	L.F.	1,200
#5 REINFORCING STEEL	L.F.	7,860
3/8" X 6" WELDED STUD	EA.	140
C10 X 20 END HEADER	(11) L.F.	60
C8 X 11.5 SIDE HEADER	(12) L.F.	80
C8 X 11.5 HORIZONTAL BRACING	L.F.	300
L4 X 3 X 1/4 WING CAP	L.F.	120
L3 X 3 X 1/4 BRACING	L.F.	280
W BEAM GUARDRAIL	L.F.	80
W BEAM FLARED END SECTION	EA	4

REINFORCING STEEL BAR LIST FOR ONE BRIDGE

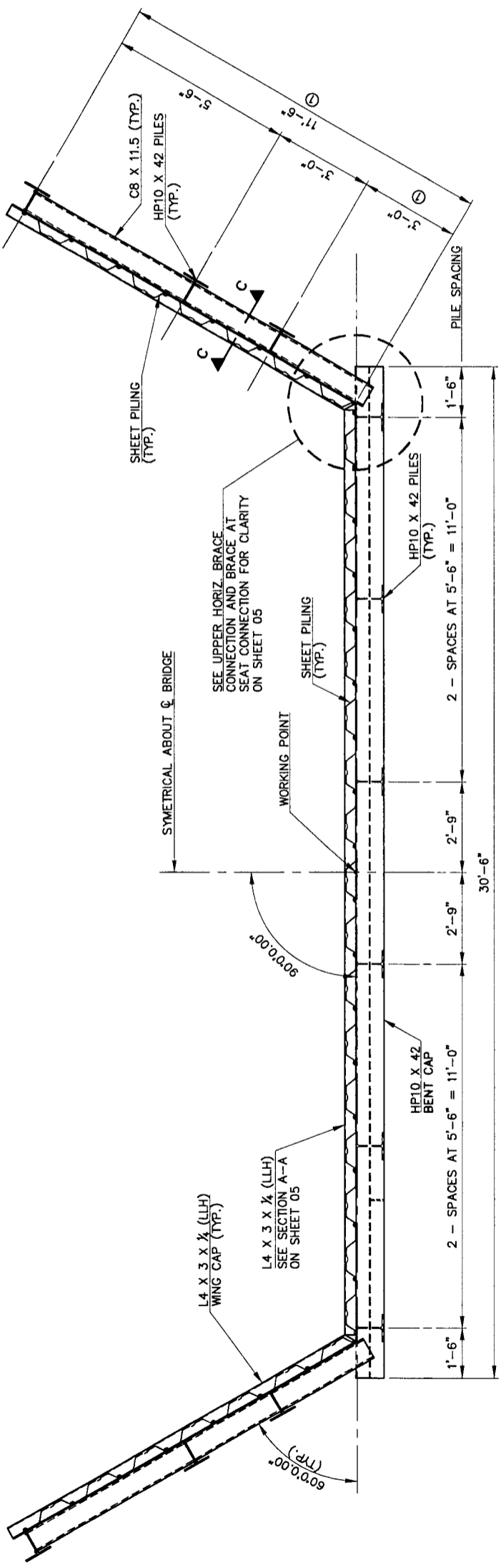
MARK	SIZE	NO.	FORM	SPACING	LENGTH	WEIGHT (LBS)	COMMENTS
A	#5	138	STR.	7"	20'-0"	2,880	LAP BARS A
B	#5	138	STR.	7"	20'-0"	2,880	MINIMUM OF 2'-6"
E1	#4	60	STR.	18"	20'-0"	800	LAP BARS A
E2	#5	117	STR.	9"	20'-0"	2,440	MINIMUM OF 2'-0"
						TOTAL WEIGHT	9,000

DESIGN	J.T.H.	RADIO AND EVANS ROAD	CANADIAN COUNTY
DRAWN	J.D.H.	BRIDGE A & B	
CHECKED	J.T.H.		
APPROV.	J.T.H.		
SQUAD	MKEC ENG.		

PAY ITEMS AND NOTES

MKEC PROJECT NO. 1703010705 SHEET NO. 02

DESCRIPTION	REVISIONS	DATE



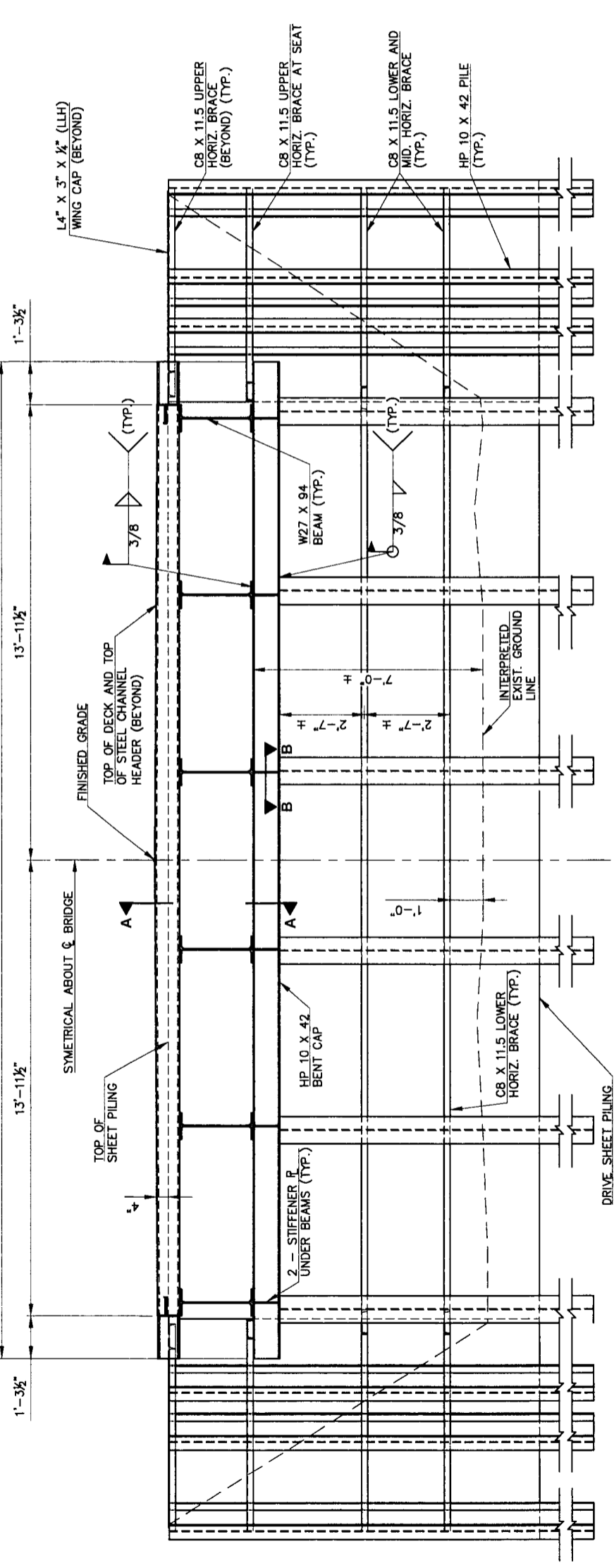
ABUTMENT PLAN
(ONE SHOWN, TWO REQUIRED)

HP 10 X 42 PILES FOR ABUTMENT SEAT SHALL BE DRIVEN TO PRACTICAL REFUSAL IN ACCORDANCE WITH SECTION 514.04E(2) OF THE 2009 ODOT STANDARD SPECIFICATIONS FOR HIGHWAY CONSTRUCTION. PRACTICAL REFUSAL IS DEFINED AS FOUR CONSECUTIVE SETS OF 10 BLOWS THAT PENETRATE NO MORE THAN 1/2 INCH PER SET. DISCONTINUE DRIVING BEFORE REACHING PRACTICAL REFUSAL IF DRIVING IS CAUSING DAMAGE TO THE PILE.

HP 10 X 42 PILES FOR WINGS SHALL BE DRIVEN TO FULL LENGTH OR PRACTICAL REFUSAL, WHICHEVER OCCURS FIRST.

NOTE:
FOR SECTION A-A, B-B, C-C AND HORIZONTAL BRACE CONNECTION DETAILS SEE SHEET 05.

① DIMENSION IS FROM BACK OF H PILE FLANGE.



ABUTMENT ELEVATION
(ONE SHOWN, TWO REQUIRED)

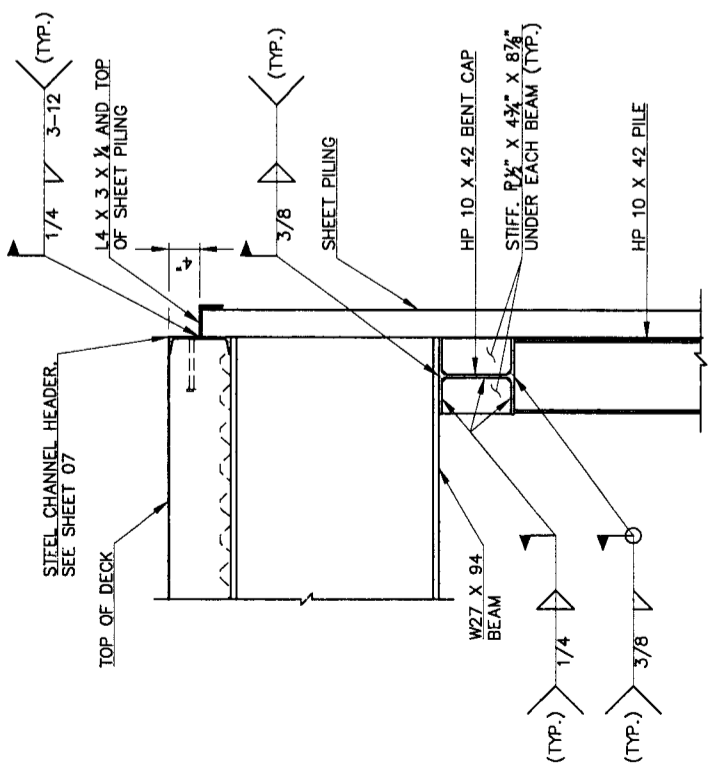
NOTE:
SHEET PILING SHALL BE MADE FROM STEEL CONFORMING TO ASTM 1011 OR ASTM A653 AND SHALL BE HOT-DIP GALVANIZED PER ASTM A123 AT A RATE OF 2 OZ. PER SQUARE FEET TOTAL BOTH SIDES. OR GALVANIZED PER ASTM A653 WITH G210 CLASS COATING. SHEET PILING SHALL BE 10 GAUGE, 0.1345 INCHES THICK, WEIGHING 12.50 LBS PER LINEAR FOOT OF PILE OR 7.6 LBS. PER SQUARE FOOT. WITH A SECTION MODULUS OF AT LEAST 3.60 IN.³ PER SECTION AND A MOMENT OF INERTIA OF 6.01 IN.⁴ PER SECTION AND SHALL HAVE A MINIMUM YIELD STRENGTH OF 30,000 PSI.

NOTE:
ALTERNATE SHEET PILING MAY BE USED UPON APPROVAL OF THE ENGINEER. LOAD CAPACITY SHALL BE NO LESS THAN THAT PROVIDED BY SECTION SPECIFIED ON THIS SHEET.

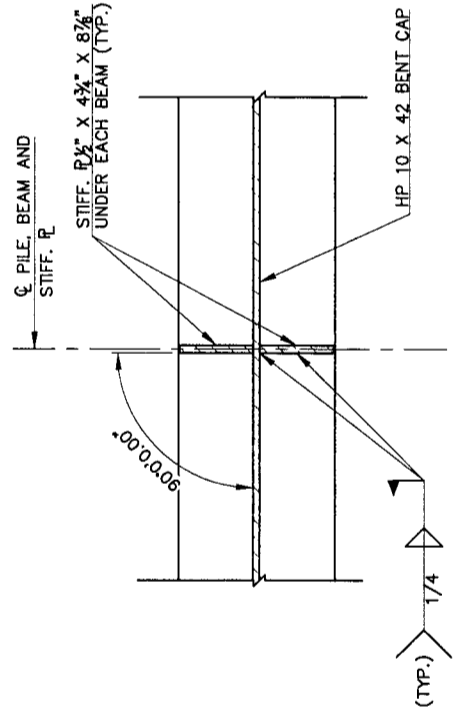
DESIGN	J.T.H.	RADIO AND EVANS ROAD BRIDGE A & B	CANADIAN COUNTY
DRAWN	J.D.H.		
CHECKED	J.T.H.		
APPROV.	J.T.H.		
SQUAD	MKEC ENG.	MKEC PROJECT NO. 1703010705	SHEET NO. 03

ABUTMENT PLAN

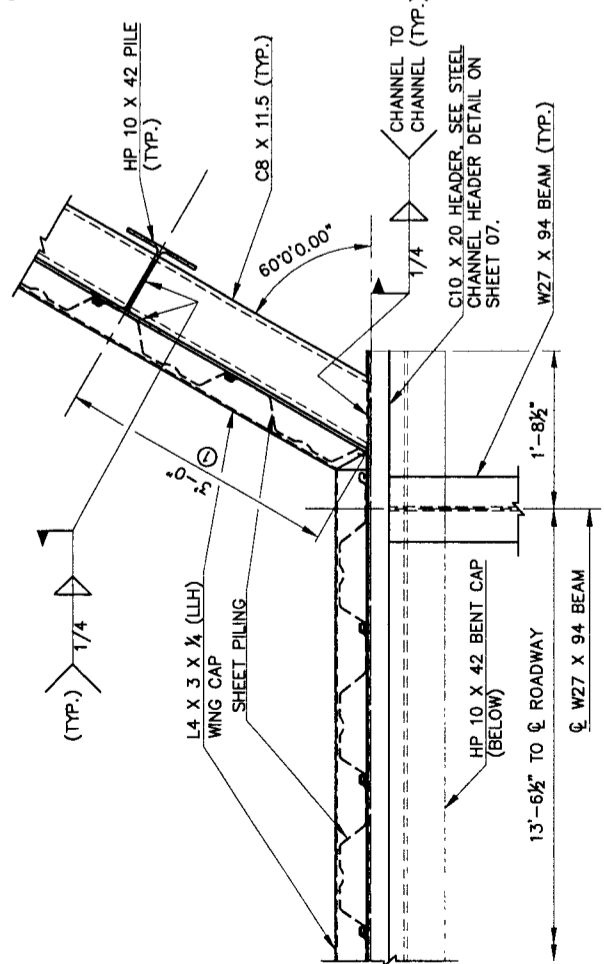
DESCRIPTION	REVISIONS	DATE



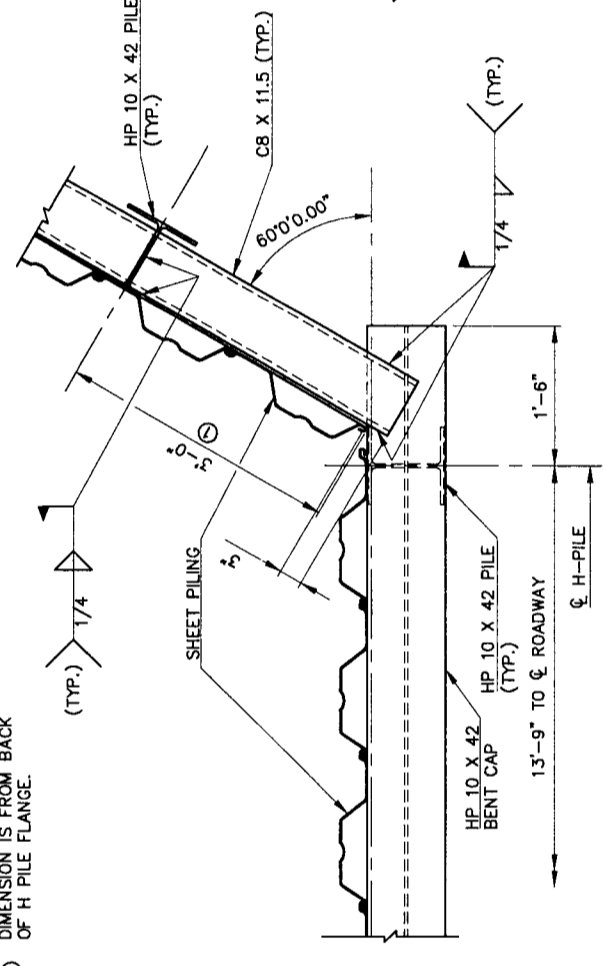
SECTION A-A



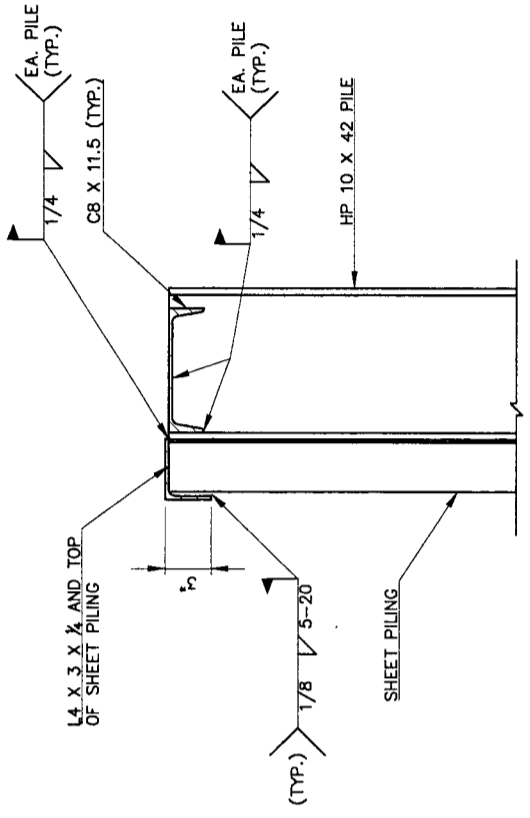
SECTION B-B



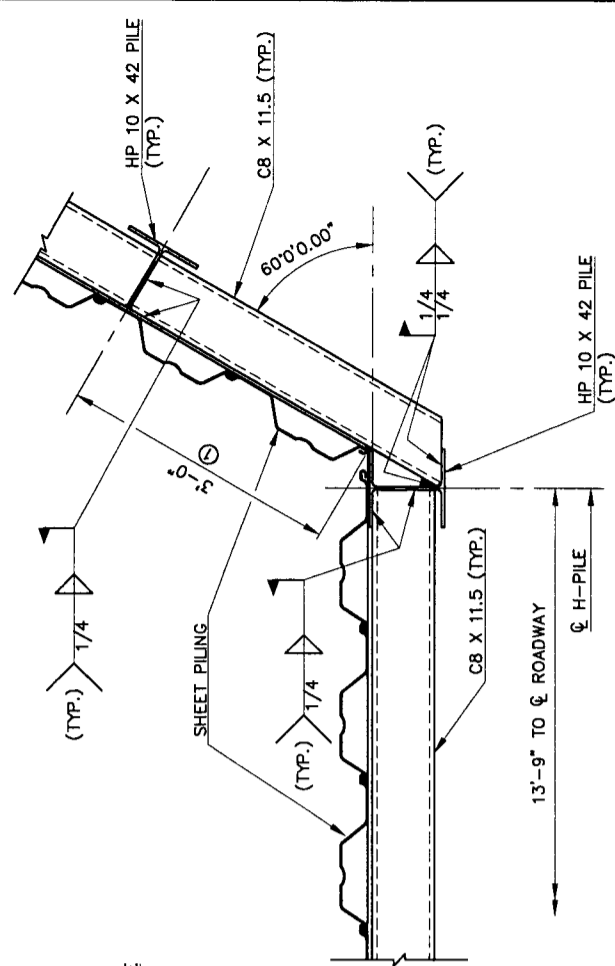
UPPER HORIZONTAL BRACE CONNECTION DETAIL



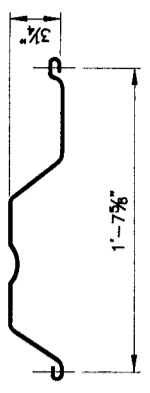
HORIZONTAL BRACE AT SEAT CONNECTION DETAIL



SECTION C-C



LOWER HORIZONTAL BRACE CONNECTION DETAIL



SHEET PILE SECTION

① DIMENSION IS FROM BACK OF H PILE FLANGE.

DESIGN	J.T.H.	CANADIAN COUNTY
DRAWN	J.D.H.	RADIO AND EVANS ROAD
CHECKED	J.T.H.	BRIDGE A & B
APPROV.	J.T.H.	
SQUAD	MKEC ENG.	

ABUTMENT DETAILS

MKEC PROJECT NO. 1703010705 SHEET NO. 04



**Canadian County
Purchasing**

Affidavit / Proof of Mailing

Date Issued: September 17, 2018

Bid Number: **2019-#06**

Closing Date: October 15, 2018 at 9:30am

PO Box 458, 201 N. Choctaw Ave., El Reno, OK 73036

Opening Date: October 15, 2018 at 9:30am

Commissioner's Meeting Room, 201 N. Choctaw Ave., El Reno, OK 73036

~ AFFIDAVIT ~

Radio Rd & Evans Rd Bridge Project / District #1

State of Oklahoma)
County of Canadian) §

I, Lindsey Garrett, Purchasing Agent, in and for said County and State, do hereby certify that "Invitations to Bid" were sent to the following:

BidClerk
projects@bidclerk.com

Bid News
projects@isqft.com

Dietz
252021 E County Road 40
Cleo Springs, OK 73729

ePlan
1400 Forum Blvd. Ste 7B
Columbia, MO 65203

Francis Tuttle Vo-Tech Center
Attn: Bid Assistant – Judy Robbins
12777 N Rockwell
Oklahoma City, OK 73142

Gable Construction Services
12345 SW 44th
Mustang, OK 73064

K&O Construction
PO Box 1845
Enid, OK 73702

K & R Builders
8020 SW 74th Street
Oklahoma City, OK 73169

MTZ Construction
Attn: Jose Martinez
3545 SW 37th Street
Oklahoma City, OK 73119

Online Data Services
3295 River Exchange Drive, Suite 213
Norcross, GA 30092

Railroad Yard
PO Box 2283
Stillwater, OK 74076

Reed Construction Data
30 Technology Pkwy South, Suite 100
Norcross, GA 30092

Riverridge Construction
riverridge74647@yahoo.com

Smith, CD Construction Inc
1074 Cumberland Mansion
Yukon, OK 73099

Witness my hand and seal this 17th day of September, 2018.



Lindsey Garrett, Purchasing Agent
(SEAL)





**Canadian County
Purchasing**

BID CHECKLIST

Date Issued: September 17, 2018
Bid Number: **2019-#06**
Closing Date: October 15, 2018 at 9:30am
PO Box 458, 201 N. Choctaw Ave., El Reno, OK 73036
Opening Date: October 15, 2018 at 9:30am
Commissioner's Meeting Room, 201 N. Choctaw Ave., El Reno, OK 73036

**TO HELP PREVENT BIDS FROM BEING REJECTED FOR LACK OF COMPLETION
PLEASE CHECK FOR THE FOLLOWING:**

Is the Invitation to Bid Signed and Notarized? _____

Is the bid bond or cashier's check enclosed? _____

Is the Business Relationships Affidavit enclosed? _____

Is the Non-Collusion Bidding Certificate enclosed? _____

Are all applicable spaces filled in? _____

Are all necessary papers enclosed? _____

Is the Bid # and Opening Date on outside of return envelope? _____

Bids will be received beginning 9:30am Tuesday October 9, until 9:30am Monday October 15, 2018 _____
(Do not turn bid in before Tuesday October 9 @ 9:30am – bid will not be opened or considered)

Thank You,

Lindsey Garrett, Purchasing Agent