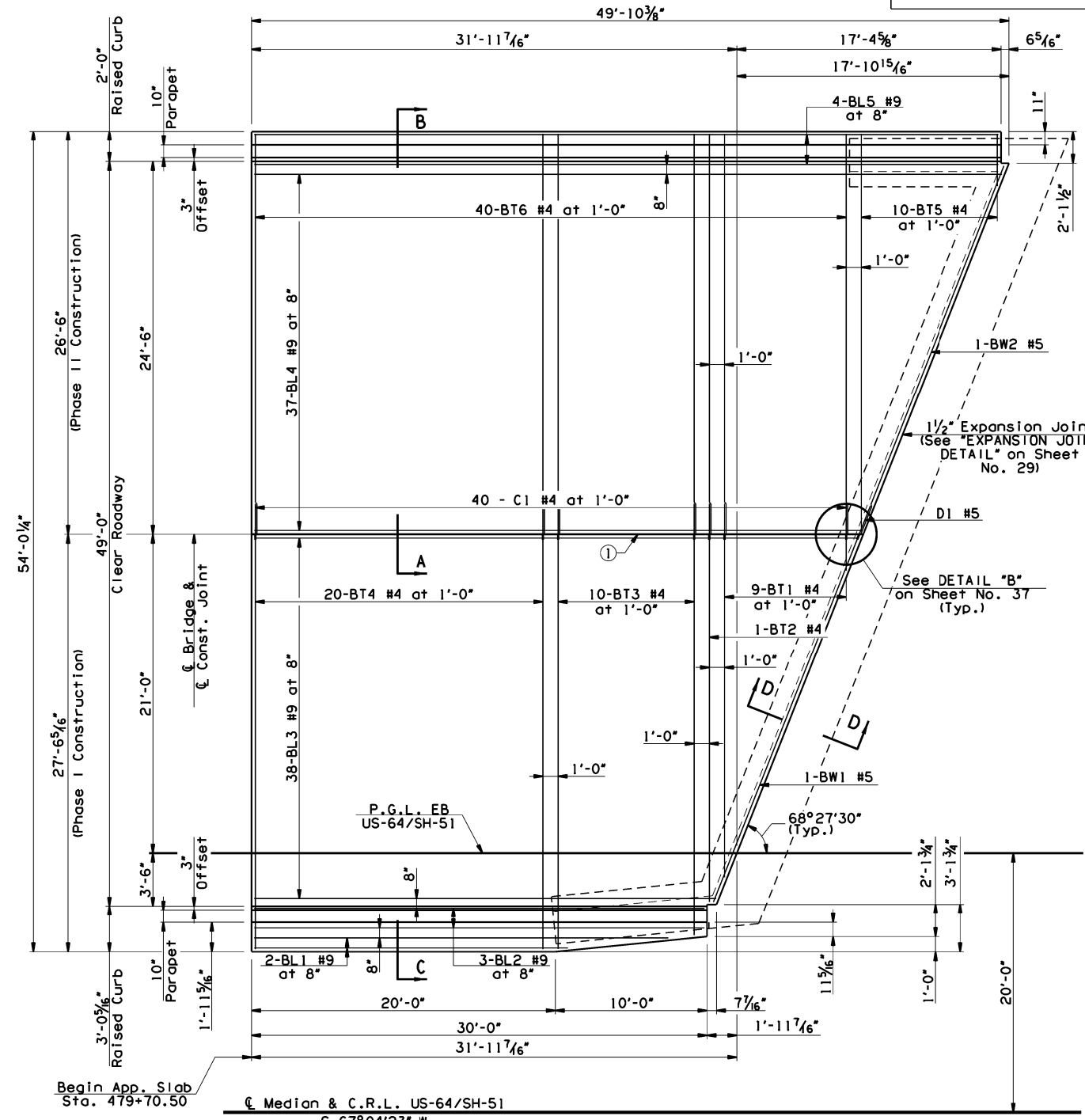
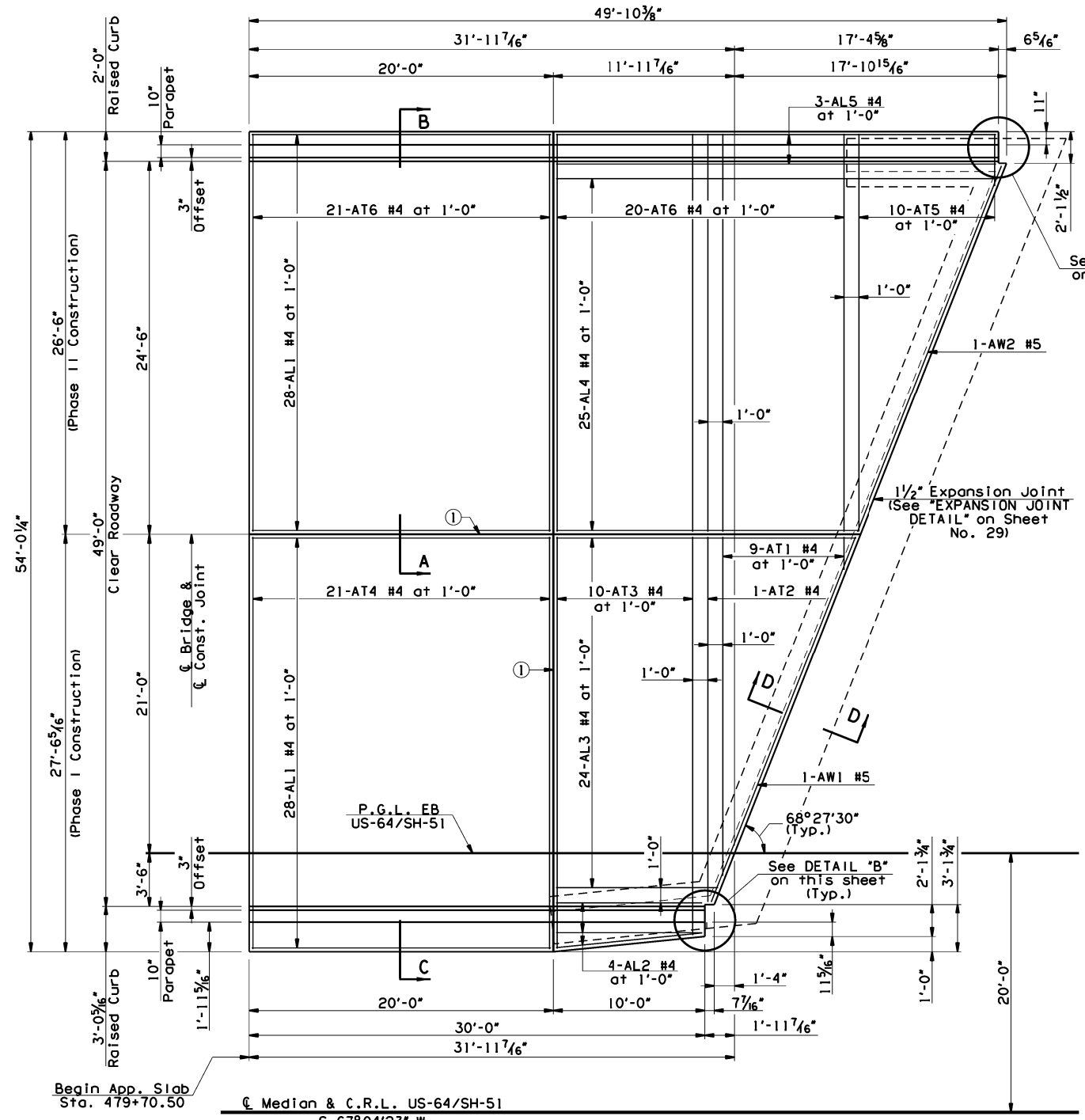


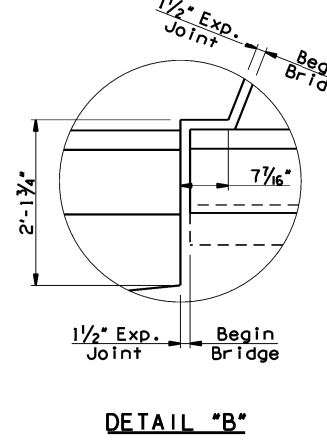
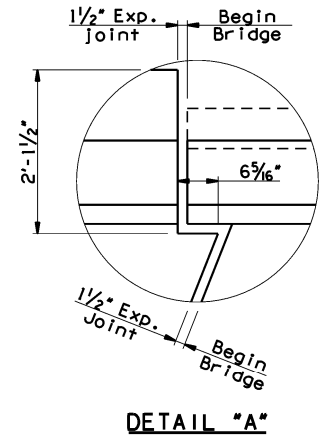
All information included in these plans is based on the existing As-Built and surveyed data. It is solely the Contractor's responsibility to accurately verify this information prior to any demolition or construction. For additional information, see the General Notes "VERIFICATION OF EXISTING CONDITIONS", "SURVEYING AND CONSTRUCTION STAKING", & "ESTABLISHMENT OF VERTICAL GEOMETRY" on Sheet No. 3.

OKLAHOMA DEPARTMENT OF TRANSPORTATION						
FED. ROAD DIST. NO.	STATE	JOB PIECE NO.	FISCAL YEAR	SHEET NO.	TOTAL SHEETS	
6	OKLA.	28878(04)				
DESCRIPTION		REVISIONS	DATE			



APPROACH SLAB AT ABUTMENT NO. 1
(Showing Top Mat of Reinforcing Steel)

APPROACH SLAB AT ABUTMENT NO. 1
(Showing Bottom Mat of Reinforcing Steel)



- NOTES:**
- See Sheet No. 37 for SECTIONS A-A, B-B, C-C, & D-D.
 - See Sheet No. 38 for bar bends, bar lists, and Summary of Quantities.
 - Concrete Barrier and Raised Curb reinforcing not shown for clarity. See Sheet No. 37.
 - Do not saw cut groove within 6" of the longitudinal construction joint or the expansion joint between the Approach Slab and Deck Slab.
 - 1/2" Sawn and Sealed Construction Joint in the top of each Approach Slab. See DETAIL "A" on Sheet No. 37.

US-64/SH-51 EB OVER SHERIDAN RD.		TULSA COUNTY		DESIGN	JGS	6/15
BRIDGE "B"				DETAIL	SJL	1/17
				CHECK	BRT	1/17
				GARVER		
STATE OF OKLAHOMA		DEPARTMENT OF TRANSPORTATION				
		JOB PIECE NO. 28878(04)			SHEET NO. 35	

6/2/2017 9:46:18 AM L:\2012\12037096 - 0001 EC-414 Task Order 6\Drawings\BRIDGE\jp28878(04).b-appsl.dgn