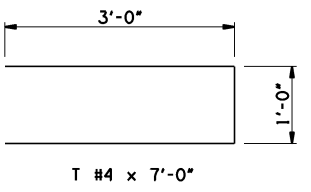
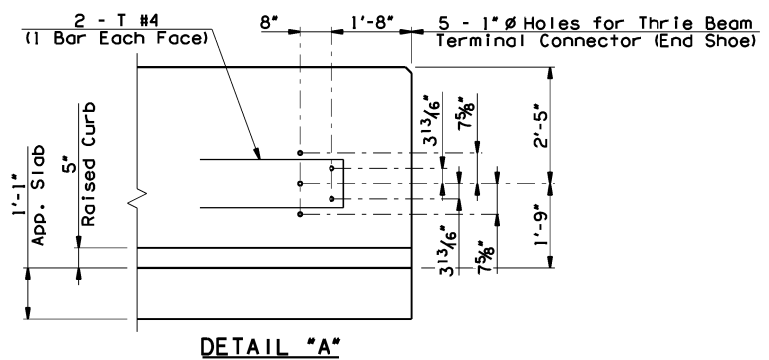
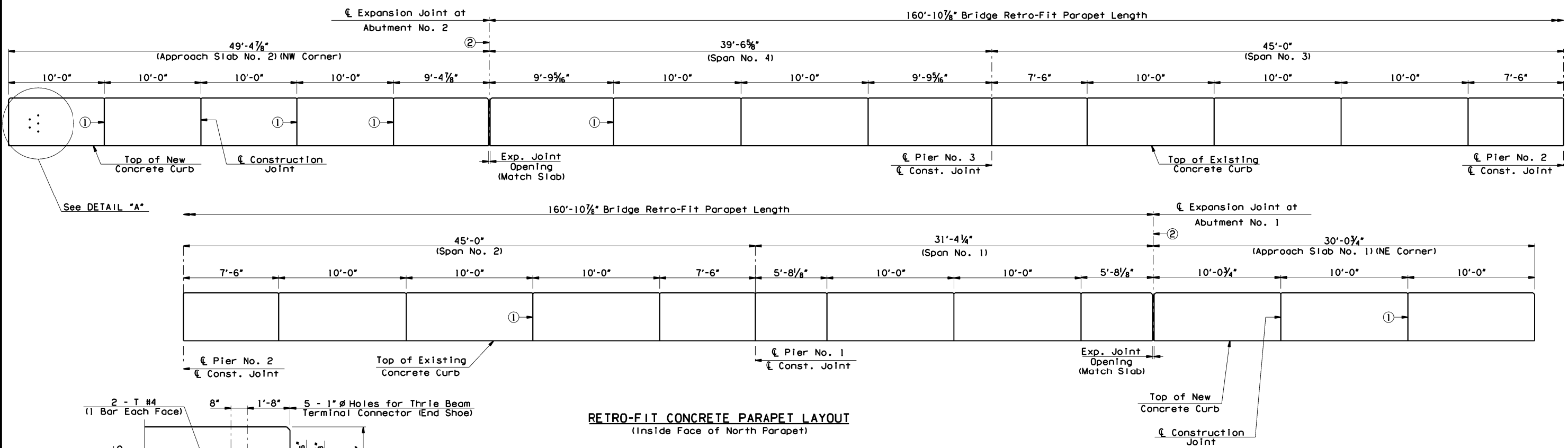
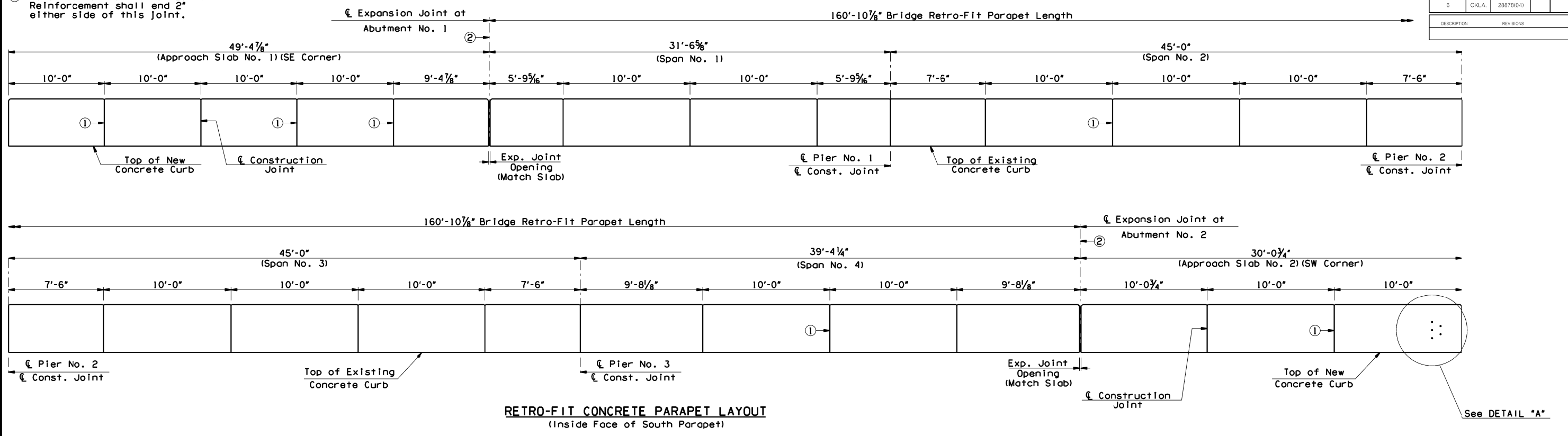


FED. ROAD DIST. NO.	STATE	JOB PIECE NO.	FISCAL YEAR	SHEET NO.	TOTAL SHEETS
6	OKLA.	28878(04)			

DESCRIPTION	REVISIONS	DATE

- ① Crack Control Joint (Typical).
- ② Construction Joint. Horizontal Reinforcement shall end 2' either side of this joint.



US-64/SH-51 EB OVER SHERIDAN RD. BRIDGE "B"		TULSA COUNTY	DESIGN	JGS	12/16
SUPERSTRUCTURE DETAILS (SHEET 4 OF 5)			DETAIL	S.J.L.	9/16
			CHECK	BRT	12/16
			GARVER		
STATE OF OKLAHOMA	DEPARTMENT OF TRANSPORTATION				
	JOB PIECE NO. 28878(04)	SHEET NO. 32			

6/2/2017 9:40:29 AM L:\2012\12037096 - 000T EC-144 Task Order 6\Drawings\BRIDGE\j28878(04)_b-supers4.dgn