

All information included in these plans is based on the existing As-Built and surveyed data. It is solely the Contractor's responsibility to accurately verify this information prior to any demolition or construction. For additional information, see the General Notes "VERIFICATION OF EXISTING CONDITIONS", "SURVEYING AND CONSTRUCTION STAKING", & "ESTABLISHMENT OF VERTICAL GEOMETRY" on Sheet No. 3.

OKLAHOMA DEPARTMENT OF TRANSPORTATION						
FED. ROAD DIST. NO.	STATE	JOB PIECE NO.	FISCAL YEAR	SHEET NO.	TOTAL SHEETS	
6	OKLA.	28878(04)				
DESCRIPTION		REVISIONS		DATE		



ELEVATION VIEW
(Looking Back Station)



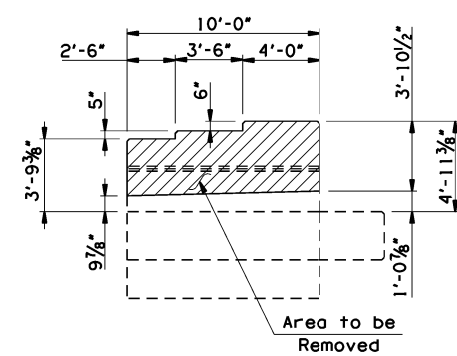
ELEVATION VIEW
(Looking Back Station)



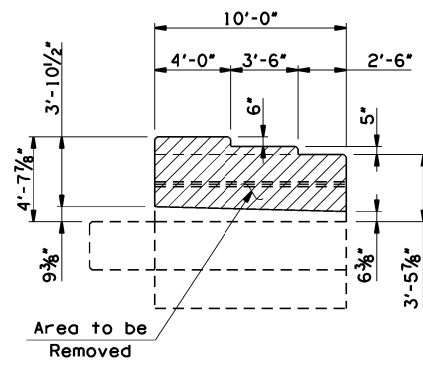
PLAN VIEW



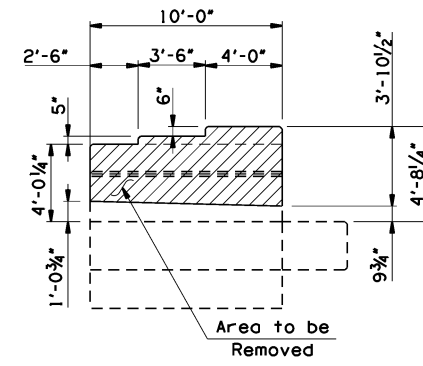
PLAN VIEW



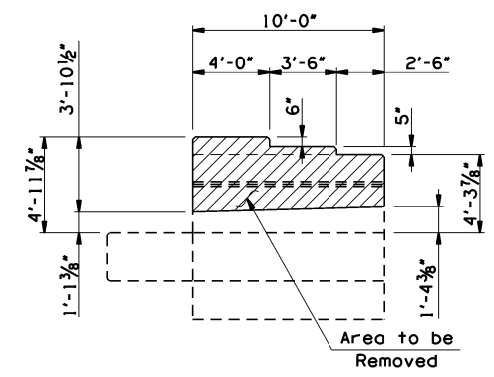
ELEVATION A-A



ELEVATION B-B



ELEVATION C-C



ELEVATION D-D

ABUTMENT NO. 1 DEMOLITION

ABUTMENT NO. 2 DEMOLITION

6/2/2017 9:39:36 AM L:\2012\12037096 - 000T EC-144 Task Order 6\Drawings\BRIDGE\j28878(04).b-abut.dgn

US-64/SH-51 EB OVER SHERIDAN RD.		TULSA COUNTY		DESIGN	JGS	6/15
BRIDGE "B"				DETAIL	SJL	9/16
ABUTMENT DEMOLITION DETAILS				CHECK	BRT	12/16
				GARVER		
STATE OF OKLAHOMA		DEPARTMENT OF TRANSPORTATION				
		JOB PIECE NO. 28878(04)		SHEET NO. 28		