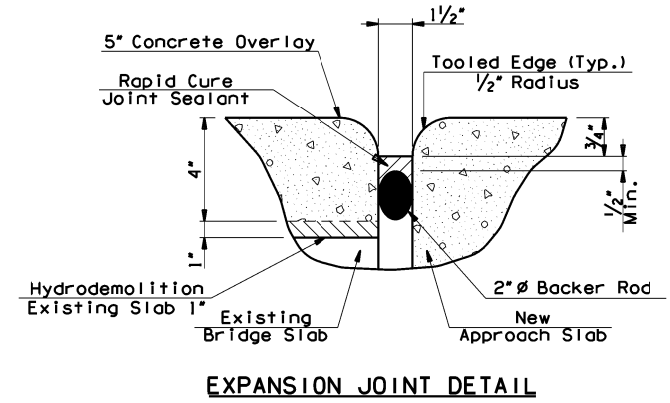
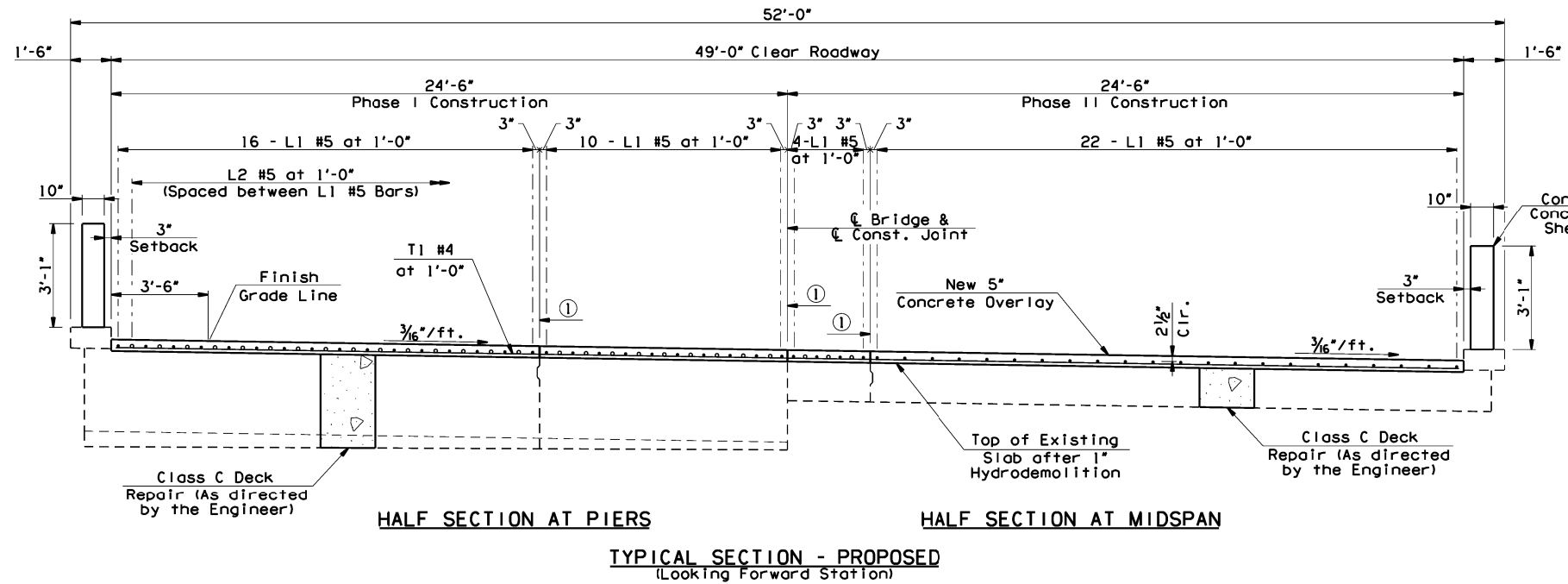
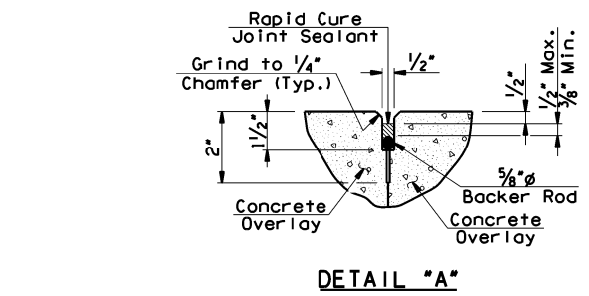
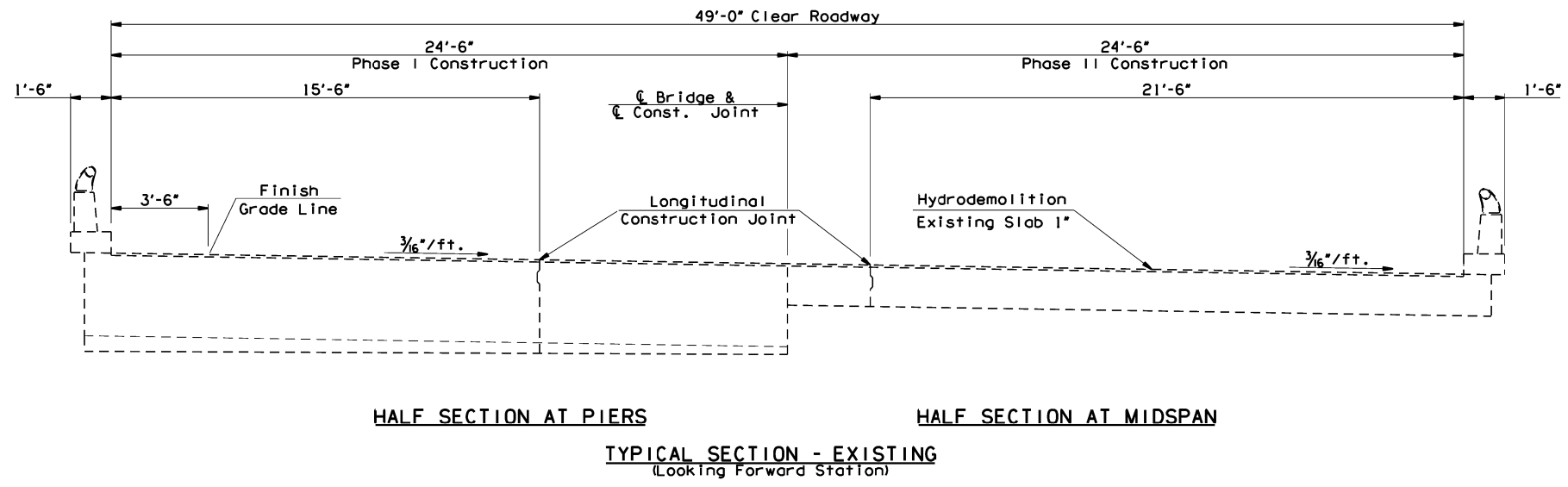
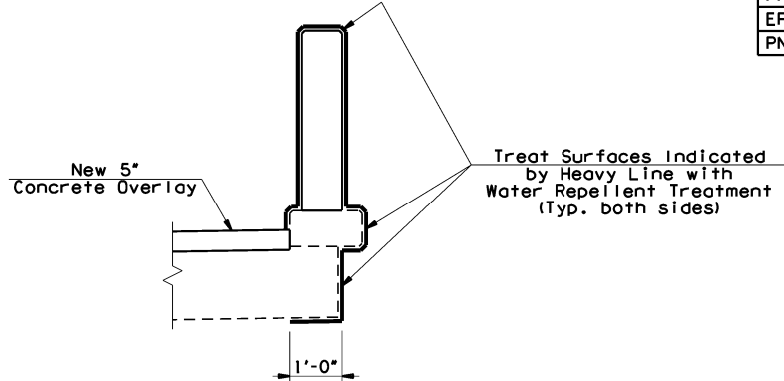
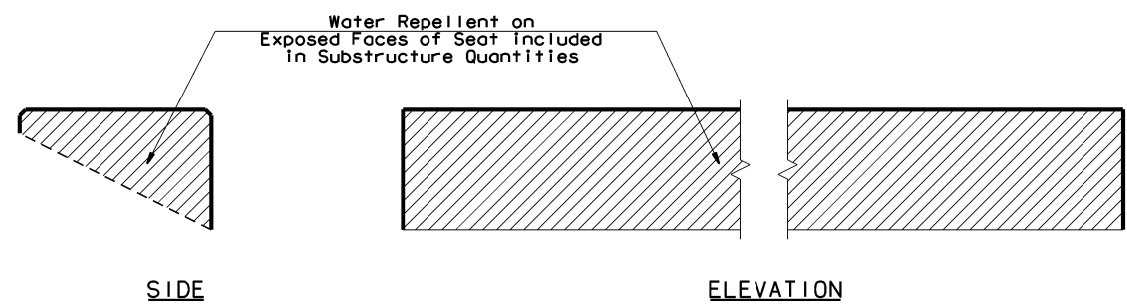


All information included in these plans is based on the existing As-Built and surveyed data. It is solely the Contractor's responsibility to accurately verify this information prior to any demolition or construction. For additional information, see the General Notes "VERIFICATION OF EXISTING CONDITIONS", "SURVEYING AND CONSTRUCTION STAKING", & "ESTABLISHMENT OF VERTICAL GEOMETRY" on Sheet No. 3.

OKLAHOMA DEPARTMENT OF TRANSPORTATION						
FED. ROAD DIST. NO.	STATE	JOB PIECE NO.	FISCAL YEAR	SHEET NO.	TOTAL SHEETS	
6	OKLA.	28878(04)				
DESCRIPTION		REVISIONS		DATE		



SUMMARY OF QUANTITIES - SUPERSTRUCTURE				
ITEM	UNIT	PHASE I CONSTRUCTION	PHASE II CONSTRUCTION	TOTAL
SAW-CUT GROOVING	S.Y.	434.70	434.70	869.40
CONCRETE PARAPET	L.F.	161.00	161.00	322.00
RAPID CURE JOINT SEALANT	L.F.	215.30	215.30	430.60
HYDRODEMOLITION	S.Y.	434.60	434.60	869.20
CLASS AA CONCRETE	C.Y.	64.80	64.80	129.60
MECHANICAL SPLICES	E.A.	161.00		161.00
EPOXY COATED REINFORCING STEEL	LB.	12,660.00	12,880.00	25,540.00
CLASS C BRIDGE DECK REPAIR	S.Y.	36.00	36.00	72.00
WATER REPELLENT (VISUALLY INSPECTED)	S.Y.	234.00	234.00	468.00
PREPARATION OF CRACKS, ABOVE WATER	L.F.			60.00
EPOXY RESIN, ABOVE WATER	GAL.			2.00
PNEUMATICALLY PLACED MORTAR	S.Y.			3.40



① Sawn and Sealed Longitudinal Construction Joint (See DETAIL "A" on this Sheet)

**ABUTMENT CONCRETE TREATMENT DETAILS**

**NOTE:**  
Water Repellent on abutments shall be applied after the substructure repairs have been completed.

**SUPERSTRUCTURE WATER REPELLENT TREATMENT DETAILS**

**NOTE:**  
Water Repellent Treatment on the superstructure shall be applied after the deck slab fascia repairs have been completed.

US-64/SH-51 WB OVER SHERIDAN RD. BRIDGE "A"	TULSA COUNTY	DESIGN	JGS	6/15
SUPERSTRUCTURE DETAILS (SHEET 1 OF 5)		DETAIL	S.J.L.	9/16
		CHECK	B.R.T.	12/16
		<b>GARVER</b>		
STATE OF OKLAHOMA	DEPARTMENT OF TRANSPORTATION	JOB PIECE NO. 28878(04) SHEET NO. 16		

6/2/2017 9:36:25 AM L:\2012\12037096 - 000T\_EC-414 Task Order 6\Drawings\BRIDGE\jp28878(04)\_a-super.sldgn