

All information included in these plans is based on the existing As-Built and surveyed data. It is solely the Contractor's responsibility to accurately verify this information prior to any demolition or construction. For additional information, see the General Notes "VERIFICATION OF EXISTING CONDITIONS", "SURVEYING AND CONSTRUCTION STAKING", & "ESTABLISHMENT OF VERTICAL GEOMETRY" on Sheet No. 3.

OKLAHOMA DEPARTMENT OF TRANSPORTATION						
FED. ROAD DIST. NO.	STATE	JOB PIECE NO.	FISCAL YEAR	SHEET NO.	TOTAL SHEETS	
6	OKLA.	28878(04)				
DESCRIPTION		REVISIONS		DATE		



**ELEVATION VIEW**  
(Looking Back Station)



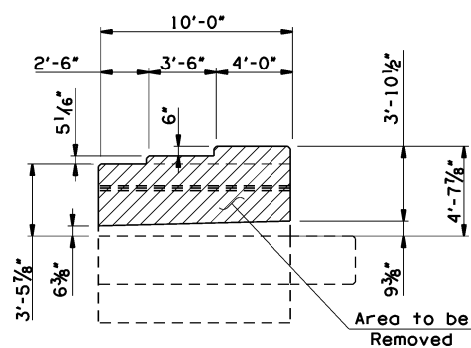
**ELEVATION VIEW**  
(Looking Front Station)



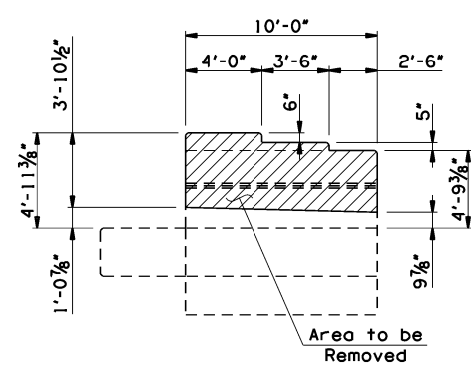
**PLAN VIEW**



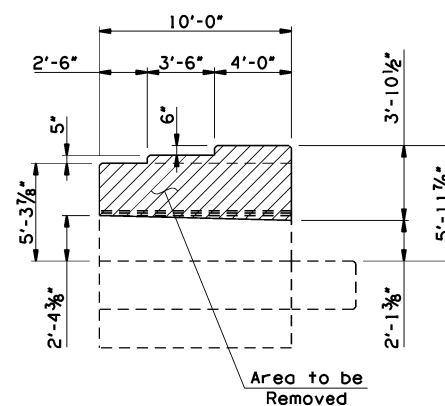
**PLAN VIEW**



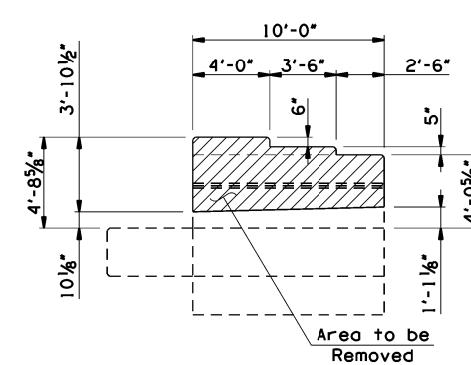
**ELEVATION A-A**



**ELEVATION B-B**



**ELEVATION C-C**



**ELEVATION D-D**

**ABUTMENT NO. 1 DEMOLITION**

**ABUTMENT NO. 2 DEMOLITION**

6/2/2017 9:36:44 AM L:\2012\12037096 - 000T EC-144 Task Order 6\Drawings\BRIDGE\jp28878(04)\_a-abut.dgn

US-64/SH-51 WB OVER SHERIDAN RD. BRIDGE "A"		TULSA COUNTY	DESIGN	JGS	6/15
			DETAIL	S.JL	9/16
			CHECK	BRT	12/16
<b>ABUTMENT DEMOLITION DETAILS</b>		<b>GARVER</b>			
<b>STATE OF OKLAHOMA</b>	DEPARTMENT OF TRANSPORTATION				
	JOB PIECE NO. 28878(04)		SHEET NO. 15		