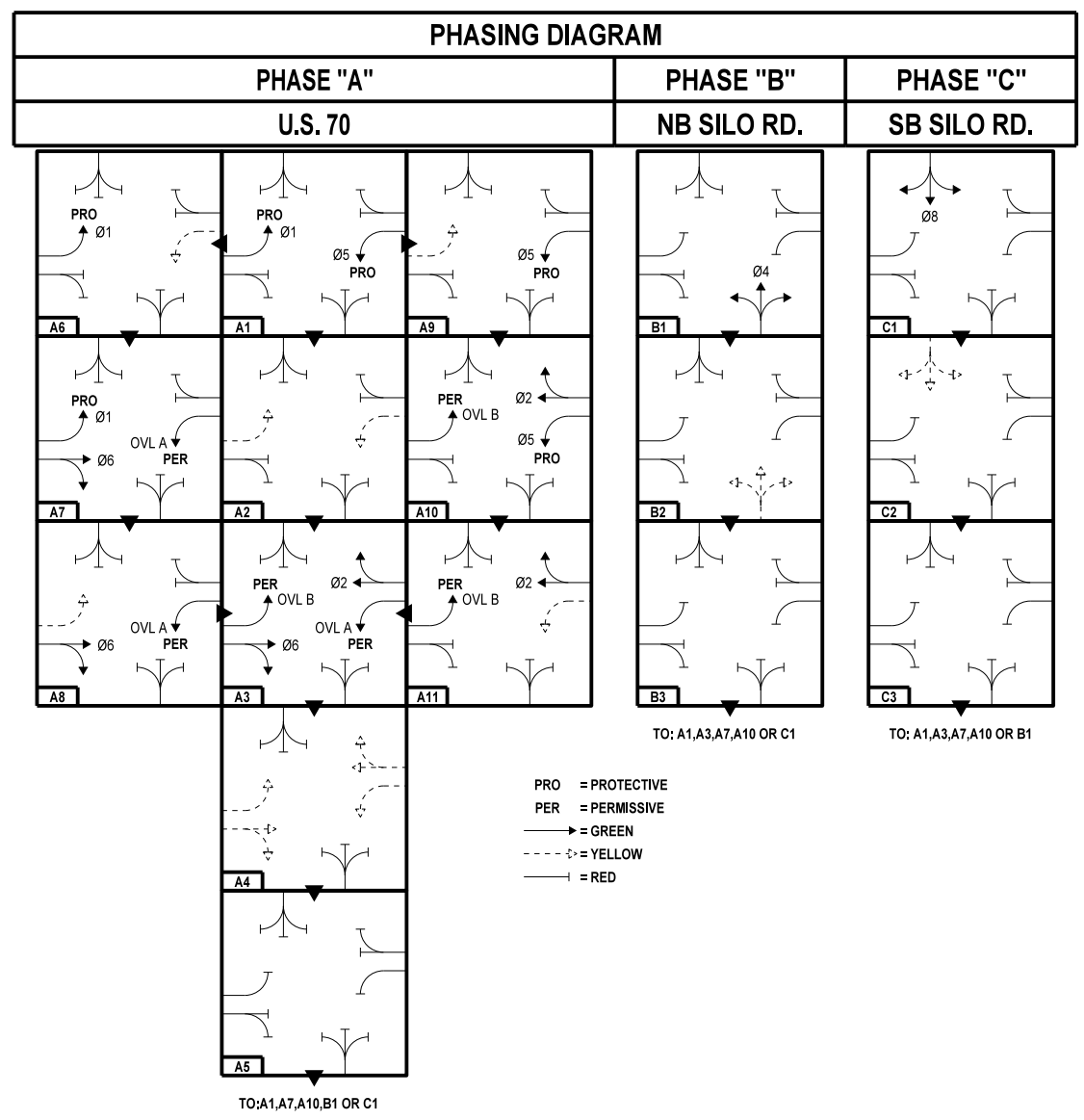
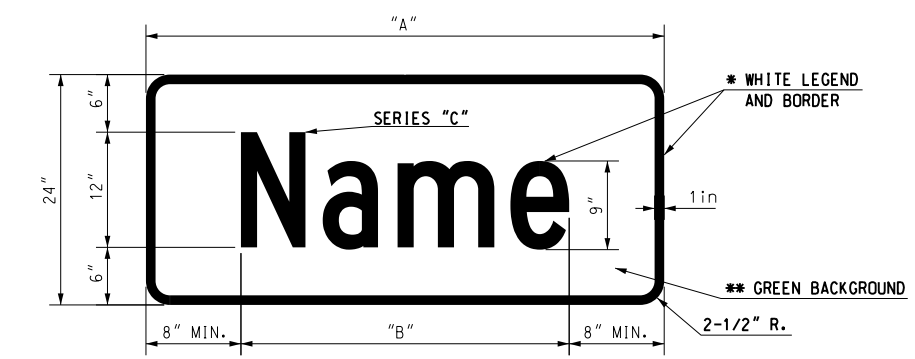


| REVISIONS | | |
|-----------|-----------------------------------|----------|
| NO. | DESCRIPTION | DATE |
| 1 | Multiple Revisions (Entire Sheet) | 10/18/17 |



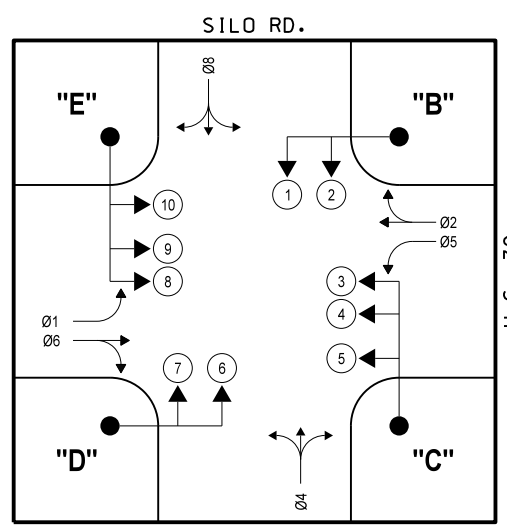
| DIRECTION | BLOCK NO. | PHASE | | | | | | | | | |
|--------------------------|-----------|-----------------|----|----------|-----|----|----|----------|------|--|--|
| | | Ø4 | Ø4 | Ø1 OVL B | Ø6 | Ø8 | Ø8 | Ø5 OVL A | Ø2 | | |
| | | SIGNAL HEAD NO. | | | | | | | | | |
| | | 1 | 2 | 3 | 4,5 | 6 | 7 | 8 | 9,10 | | |
| Ø1, Ø5 ROW | A1 | R | R | ←G | R | R | R | ←G | R | | |
| Ø1, Ø5 CL | A2 | R | R | ←Y | R | R | R | ←Y | R | | |
| Ø2, Ø6, OVL A, OVL B ROW | A3 | R | R | ←Y | G | R | R | ←Y | G | | |
| Ø2, Ø6, OVL A, OVL B CL | A4 | R | R | ←Y | Y | R | R | ←Y | Y | | |
| ALL RED | A5 | R | R | ←R | R | R | R | ←R | R | | |
| Ø1 ROW & Ø5 CL | A6 | R | R | ←G | R | R | R | ←Y | R | | |
| Ø1, Ø6, OVL A ROW | A7 | R | R | ←G | G | R | R | ←Y | R | | |
| Ø6, OVL A ROW & Ø1 CL | A8 | R | R | ←Y | G | R | R | ←Y | R | | |
| Ø5 ROW & Ø1 CL | A9 | R | R | ←Y | R | R | R | ←G | R | | |
| Ø2, Ø5, OVL B ROW | A10 | R | R | ←Y | R | R | R | ←G | G | | |
| Ø2, OVL B ROW & Ø5 CL | A11 | R | R | ←Y | R | R | R | ←Y | G | | |
| Ø4 ROW | B1 | G | G | ←R | R | R | R | ←R | R | | |
| Ø4 CL | B2 | Y | Y | ←R | R | R | R | ←R | R | | |
| ALL RED | B3 | R | R | ←R | R | R | R | ←R | R | | |
| Ø8 ROW | C1 | R | R | ←R | R | G | G | ←R | R | | |
| Ø8 CL | C2 | R | R | ←R | R | Y | Y | ←R | R | | |
| ALL RED | C3 | R | R | ←R | R | R | R | ←R | R | | |
| FLASHING OPERATION | | FR | FR | ←FR | FR | FR | FR | ←FR | FR | | |



| SUMMARY OF MAST ARM MOUNTED SIGNS | | | | | | | |
|-----------------------------------|---------------|-------------|---------|--------------|---------|--------------------|--------------------------|
| MESSAGE | POLE LOCATION | NO. OF SIGN | A (IN.) | HEIGHT (IN.) | B (IN.) | SIGN AREA (SQ.FT.) | TOTAL SIGN AREA (SQ.FT.) |
| US 70 | B,D | 2 | 54 | 24 | 38.9 | 9.00 | 18.00 |
| Silo Rd | C,E | 2 | 54 | 24 | 43.7 | 9.00 | 18.00 |
| R10-12M | C,E | 2 | 30 | 36 | NA | 7.50 | 15.00 |
| TOTAL | | | | | | | 51.00 |

* - TYPE VIII VIP REFLECTIVE SHEETING SHALL BE USED
 ** - TYPE IIII VIP REFLECTIVE SHEETING SHALL BE USED

INTERSECTION PHASING & SIGNAL HEAD NO.'S



| | | |
|--------|-----|----------|
| Design | RWR | 10/18/17 |
| Drawn | SB | 10/18/17 |



SIGNAL DETAIL PLAN

G:\Projects\1-2592 US 70 & Silo Rd Signal - EC185B.tosk 3\CAD\T002-33251(04)-DETAIL.dgn 10/18/17