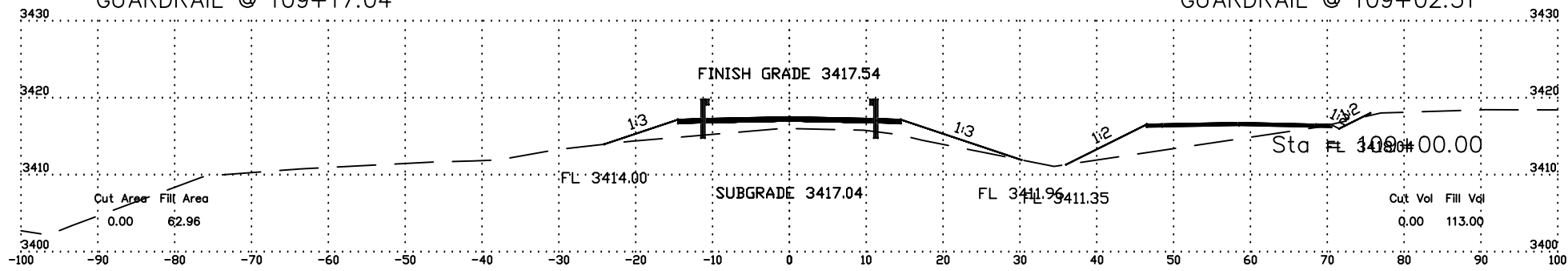


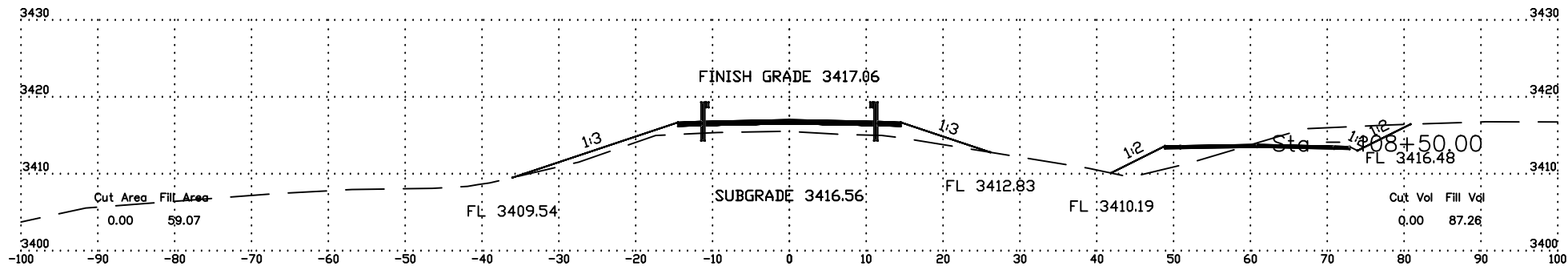
GUARDRAIL @ 109+17.04

GUARDRAIL @ 109+02.51



GUARDRAIL @ 108+17.04

GUARDRAIL @ 108+02.51



SCALE:
1" = 10'