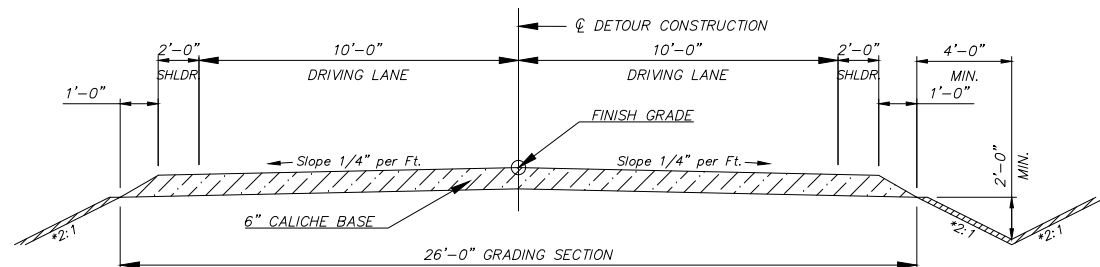
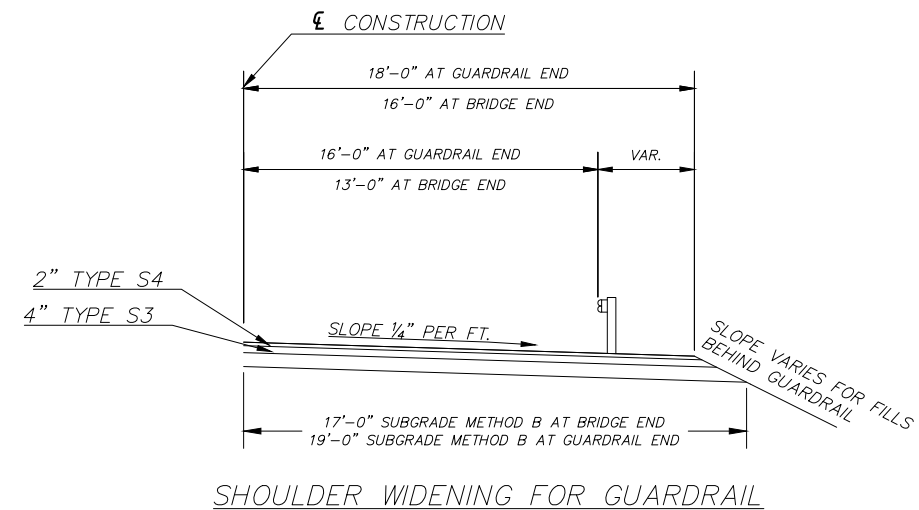


TYPICAL SECTION
STA. 102+00.00 TO 114+00.00

(1) SHOULDERING UP WILL BE INCLUDED IN THE EARTHWORK PAY ITEM.



TYPICAL SECTION (DETOUR)
STA. 100+00.00 TO 117+17.89



SHOULDER WIDENING FOR GUARDRAIL