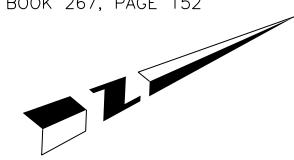
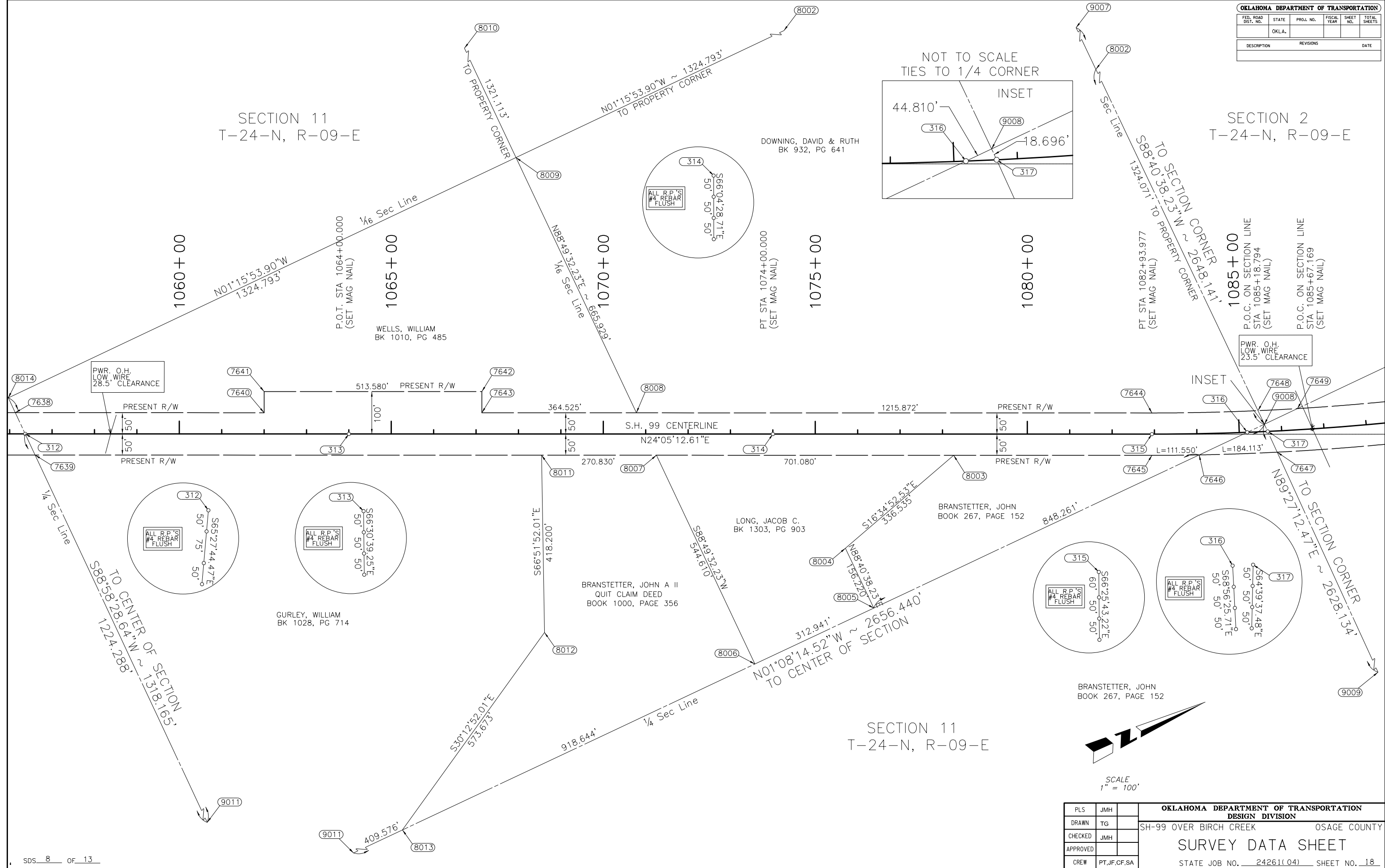
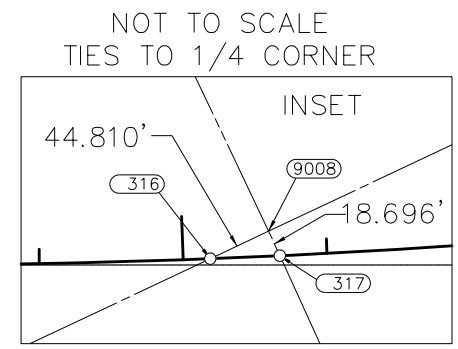


OKLAHOMA DEPARTMENT OF TRANSPORTATION					
FED. ROAD DIST. NO.	STATE	PROJ. NO.	FISCAL YEAR	SHEET NO.	TOTAL SHEETS
	OKLA.				
DESCRIPTION			REVISIONS		DATE

SECTION 11  
T-24-N, R-09-E

SECTION 2  
T-24-N, R-09-E



SCALE  
1" = 100'

OKLAHOMA DEPARTMENT OF TRANSPORTATION DESIGN DIVISION			
PLS	JMH		
DRAWN	TG		
CHECKED	JMH		
APPROVED			
CREW	PT,JF,CF,SA		
		OSAGE COUNTY	
SURVEY DATA SHEET			
		STATE JOB NO. 2426(1.04)	SHEET NO. 18