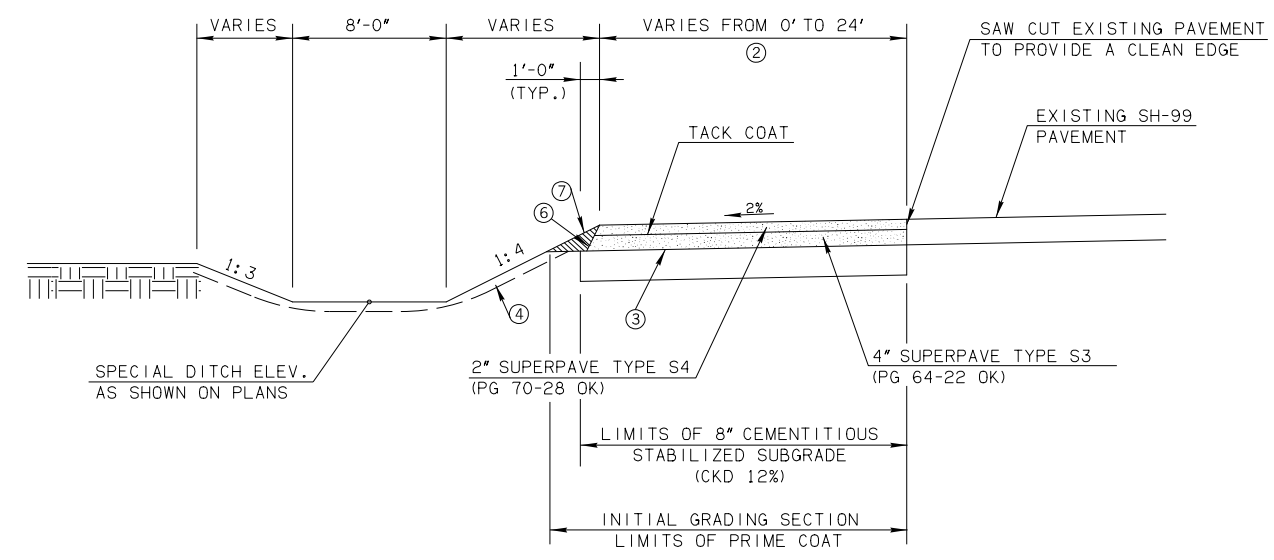


**GUARD RAIL WIDENING TYPICAL**

CRL STA. 1062+60.37 TO CRL STA. 1066+39.80 RT.  
 CRL STA. 1064+47.87 TO CRL STA. 1066+39.80 LT.  
 CRL STA. 1069+08.30 TO CRL STA. 1071+00.23 RT.  
 CRL STA. 1069+08.30 TO CRL STA. 1072+87.73 LT.



**TYPICAL NO. 2 - SHOOFLY WIDENING**

☉ SHOOFLY ONE STA. 996+72.24 TO ☉ SHOOFLY ONE STA. 1010+26.78  
 ☉ SHOOFLY TWO STA. 1084+50.98 TO ☉ SHOOFLY TWO STA. 1102+31.05

- ① BACKFILL NOTE:  
This Area To Be Backfilled And Compacted With TBSC Type E In A Manner Approved By The Engineer. Cost To Be Included In TBSC Type E.
- ② See Plans for Variations.
- ③ Prime Coat to be applied to the top of finished subgrade and top of aggregate base.
- ④ TOPSOIL NOTE:  
The Contractor Shall Strip All Of The Available Topsoil, Stockpile It, And Place It Back On The Section In Accordance With Section 205 Of The Standard Specifications. Reserved Topsoil Shall Be Spread First On The Completed Slopes Of The Cut Sections And The Remainder On Completed Fill Slopes Or Other Priority Areas Located By The Engineer. All Additional Costs Associated With Operations Shall Be Included In The Pay Item for Salvaged Topsoil, Lump Sum.  
  
The Grading Line As Shown On The Typical Is To The Top Of The Topsoil. Earthwork Quantities Were Not Adjusted For Salvage and The Topsoil Quantity Is Included In The Massline Balance.
- ⑤ Superelevate as shown on the plans.
- ⑥ This Requires Construction Of The Asphalt Safety Edge As Shown On Roadway Standard Drawing, PSE-1-0. Also, Refer To Special Provision 411-14(a-b)09. The Quantity Of Asphalt Necessary To Construct This Safety Edge Has Been Included In The Surfacing Quantities For This Project.
- ⑦ To Be Backfilled With Dirt. The Quantity Of Dirt Necessary For Backfill Has Been Included In The Mass Line Balance.

DESIGN		OKLAHOMA DEPARTMENT OF TRANSPORTATION	
DRAWN		DESIGN DIVISION	
CHECKED		SH-99 OVER BIRCH CREEK	OSAGE COUNTY
APPROVED		TYPICAL SECTIONS	
SQUAD		STATE JOB NO. 24261(04)	SHEET NO. 3

DSWR: XXX PLOTTED BY: loyde@dot.ok.gov  
 6/9/2007 10:00:00 AM  
 6:\2007\06\09\1001\001\001-C-TypicalSections.dgn