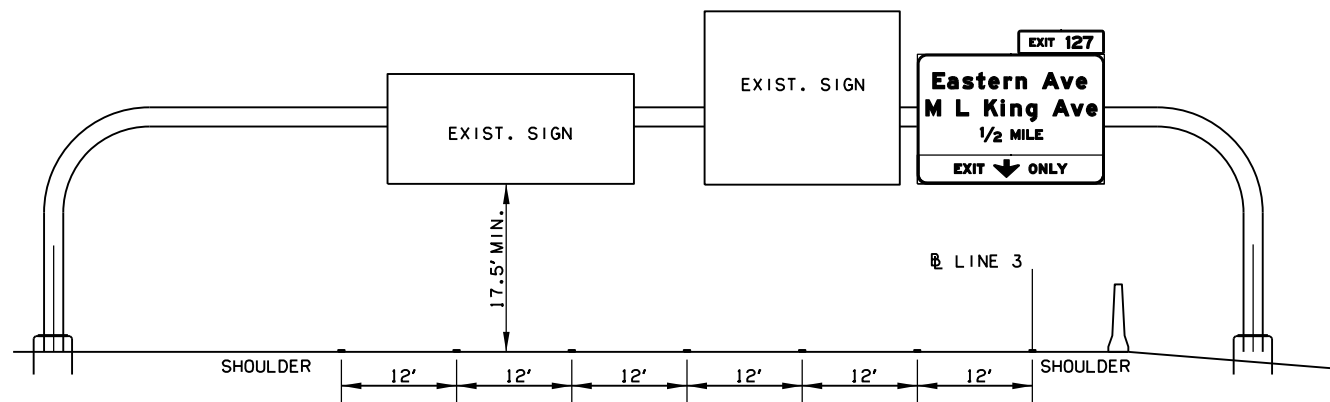
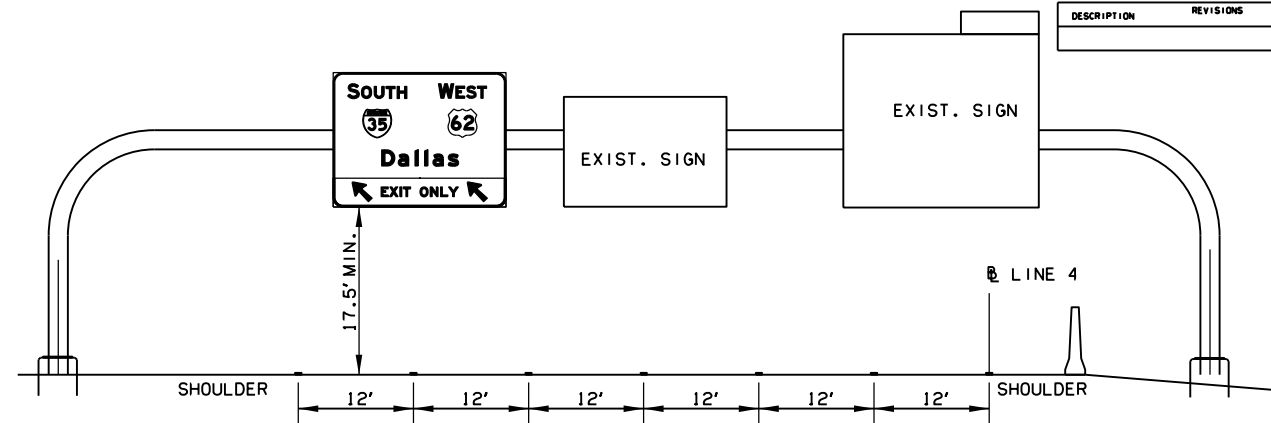


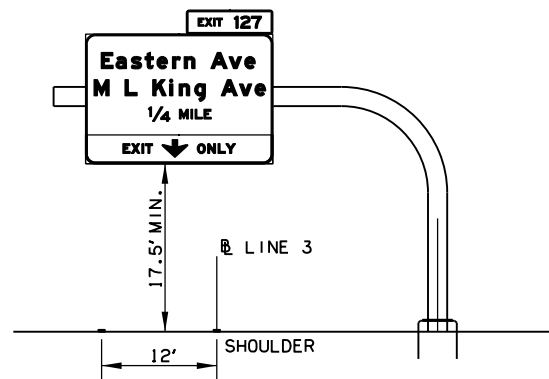
POE & ASSOCIATES, OKLAHOMA CITY, OK.						
FED. DIST. NO.	ROAD STATE	JOB PIECE NO.	FISCAL YEAR	SHEET NO.	TOTAL SHEETS	
6	OKLA.					
DESCRIPTION		REVISIONS		DATE		



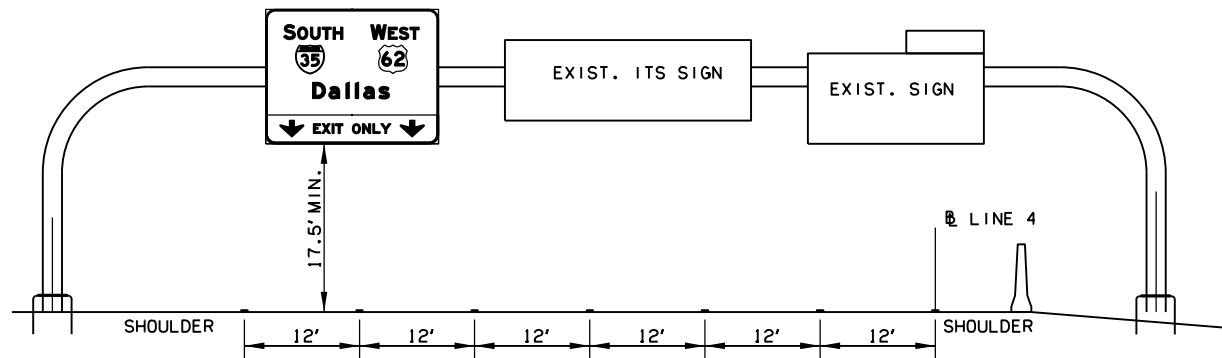
OVERHEAD SIGN STRUCTURE
125' MONOTUBE TYPE B
STA.348+70.00 @ LINE 3



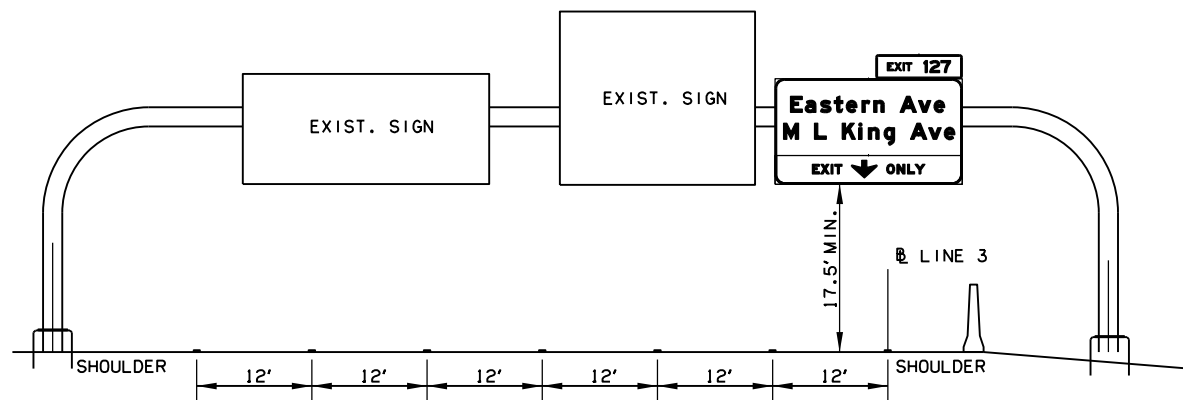
OVERHEAD SIGN STRUCTURE
120' MONOTUBE TYPE B
STA.352+75 @ LINE 4



OVERHEAD SIGN STRUCTURE
MONOTUBE TYPE B
STA.361+60.00 @ LINE 3



OVERHEAD SIGN STRUCTURE
115' MONOTUBE TYPE B
STA.361+00 @ LINE 4



OVERHEAD SIGN STRUCTURE
110' MONOTUBE TYPE B
STA.369+25.00 @ LINE 3

DESIGN	-	-
DRAWN	-	-
CHECKED	-	-
APPROVED	-	-
SQUAD	POE	

OVERHEAD SIGN PLACEMENT

STATE JOB NO. 30444(06) SHEET NO. 45

OKLAHOMA COUNTY

8/31/2017 2:33:46 PM H:\PROJECTS\203078 0001 EC-161\Roadway\Drawings\30444(06)_sign_Placement_1.dgn