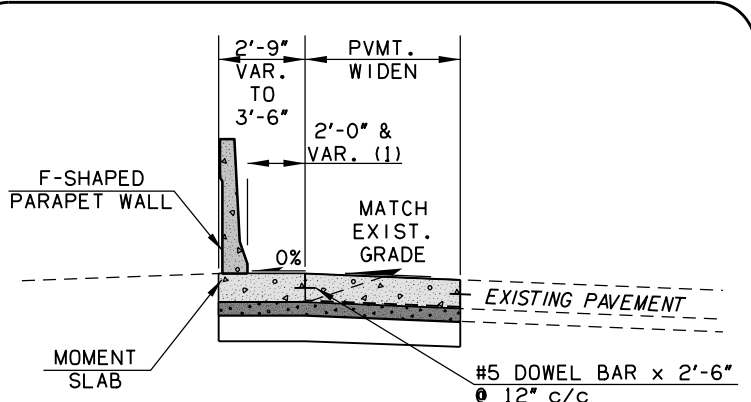


**TYPICAL RAMP SECTION - LINE 4**

STA. 334+76.50 TO STA. 343+00.00  
 (1) DISTANCE VARIES SEE CROSS SECTIONS.

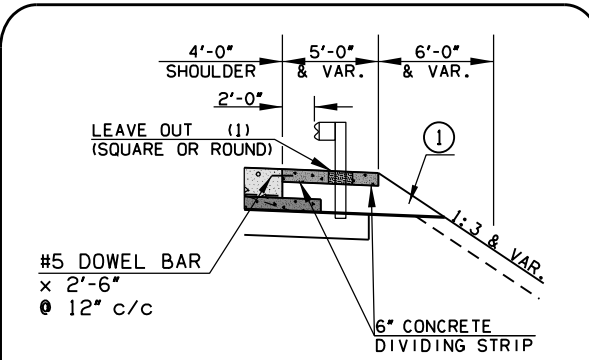
(2) THE PROPOSED CONSTRUCTION SHALL MATCH THE EXISTING PAVEMENT BOTH HORIZONTALLY AND VERTICALLY.

PC CONCRETE REQUIREMENT	
13' PAVT. STRUCTURE	
SURFACE COURSE	9.0" DOWEL JOINTED PC CONCRETE
BASE COURSES	4.0" CEMENT TREATED BASE



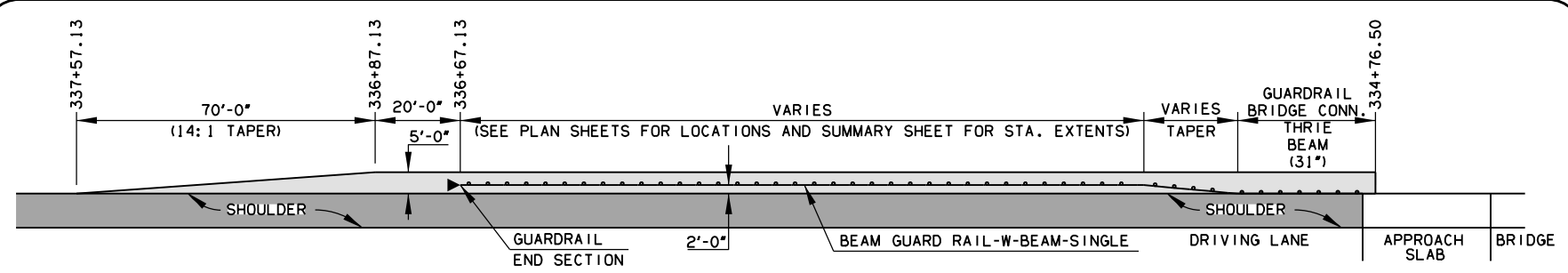
**DETAIL OF PARAPET WALL**

STA. 341+91.56 TO STA. 343+00.00  
 (1) DISTANCE VARIES SEE CROSS SECTIONS.  
 SEE MOMENT SLAB DETAIL SHEET NO. 21



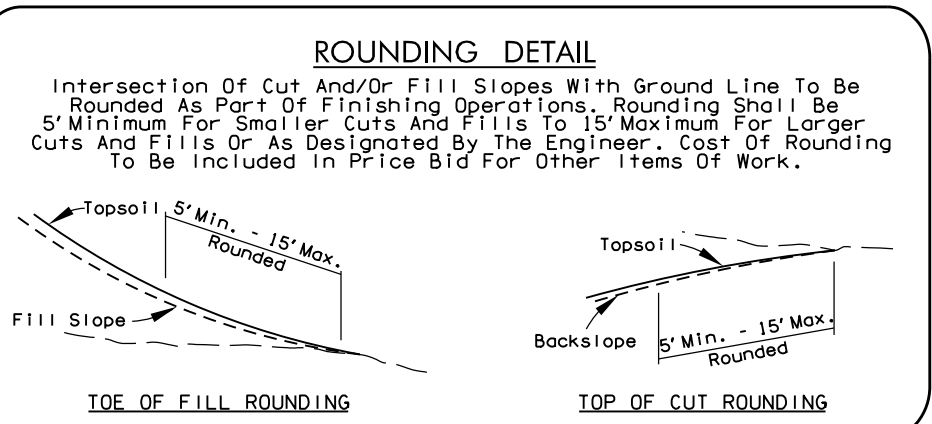
**GUARDRAIL WIDENING DETAIL**

(1) CENTER POST IN 1'-3" x 1'-3" SQUARE OR CIRCULAR EQUIVALENT. BACKFILL HOLES WITH A MATERIAL APPROVED BY THE RESIDENT ENGINEER.



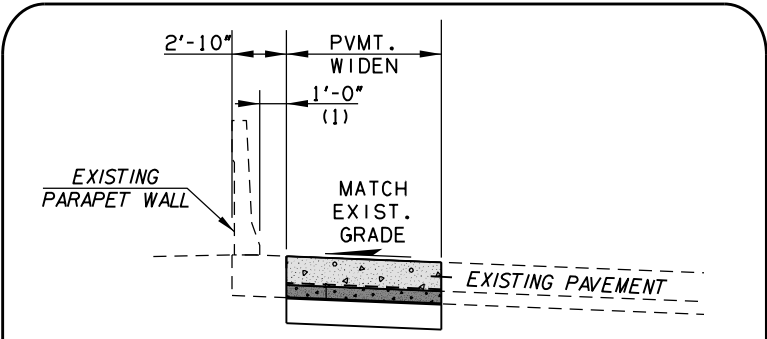
**TYPICAL GUARDRAIL WIDENING DETAIL**

(FOR DETAILS NOT SHOWN SEE PLAN SHEETS & STD. GBCA-1, GRH1-1, GRH2-1 AND GET-3)  
 GUARD RAIL WIDENING SHALL BE 6" CONCRETE DIVIDING STRIP



**ROUNDING DETAIL**

Intersection Of Cut And/Or Fill Slopes With Ground Line To Be Rounded As Part Of Finishing Operations. Rounding Shall Be 5' Minimum For Smaller Cuts And Fills To 15' Maximum For Larger Cuts And Fills Or As Designated By The Engineer. Cost Of Rounding To Be Included In Price Bid For Other Items Of Work.



**DETAIL OF PARAPET WALL CONNECTION**

STA. 340+76.35 TO STA. 341+91.56  
 (1) DISTANCE VARIES SEE CROSS SECTIONS.

① BACKFILL NOTE:  
 THIS AREA TO BE BACKFILLED AND COMPACTED AS PART OF THE FINISHING OPERATIONS. QUANTITY IS MEASURED IN UNCLASSIFIED BORROW.

② TOPSOIL NOTE:  
 THE CONTRACTOR SHALL STRIP ALL OF THE AVAILABLE TOPSOIL, STOCKPILE IT, AND PLACE IT BACK ON THE SECTION IN ACCORDANCE WITH SECTION 205 OF THE STANDARD SPECIFICATIONS. RESERVED TOPSOIL SHALL BE SPREAD FIRST ON THE COMPLETED SLOPES OF THE CUT SECTIONS AND THE REMAINDER ON COMPLETED FILL SLOPES OR OTHER PRIORITY AREAS LOCATED BY THE ENGINEER. ALL ADDITIONAL COSTS ASSOCIATED WITH OPERATION SHALL BE INCLUDED IN THE PAY ITEM FOR SALVAGED TOPSOIL, LUMP SUM.

THE GRADING LINE AS SHOWN ON THE TYPICAL AND CROSS SECTIONS IS TO THE TOP OF THE TOPSOIL. EARTHWORK QUANTITIES WERE NOT ADJUSTED FOR SALVAGE AND THE TOPSOIL.

③ SEPARATOR FABRIC:  
 SHALL BE 15 OZ/S.Y., AS DIRECTED BY SPECIAL PROVISION 317 CEMENT TREATED BASE. COST SHALL BE INCLUDED IN PRICE BID FOR CEMENT TREATED BASE.

④ SEE CROSS SECTIONS.

DESIGN	-	-
DRAWN	-	-
CHECKED	-	-
APPROVED	-	-
SQUAD	POE	

**TYPICAL SECTIONS**  
**SHEET 4 OF 6**