

PRINT DATE: 12/19/2016 W:\2016\Drawings\Standard\2016-08-08.dwg 02:05:13

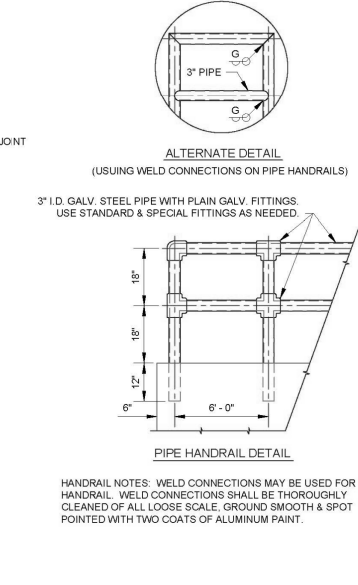
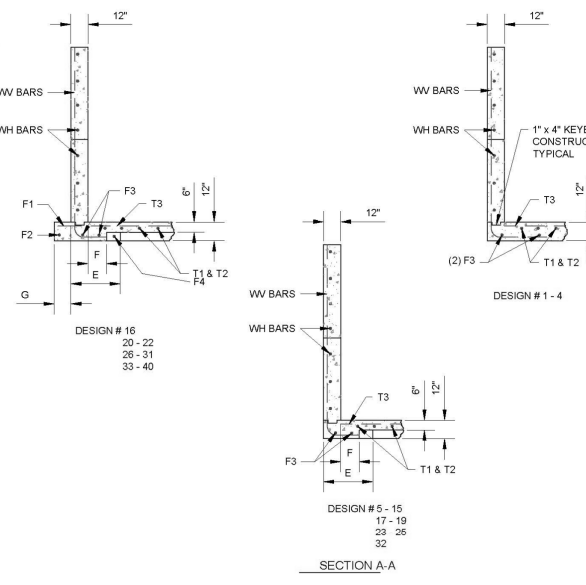
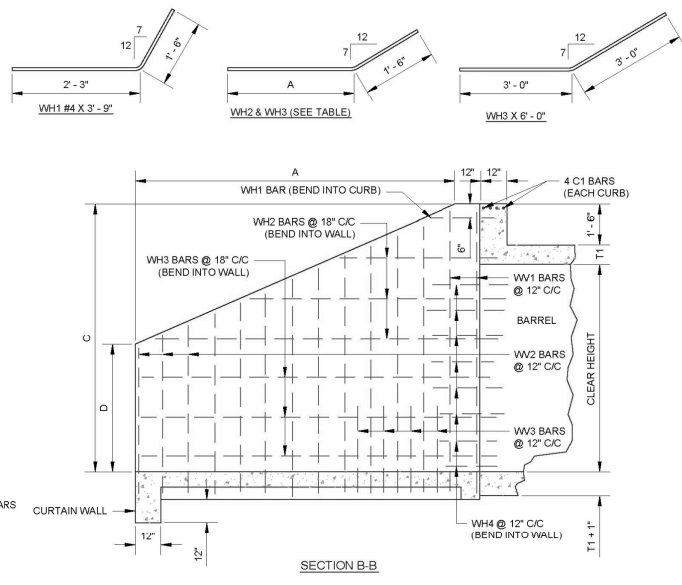
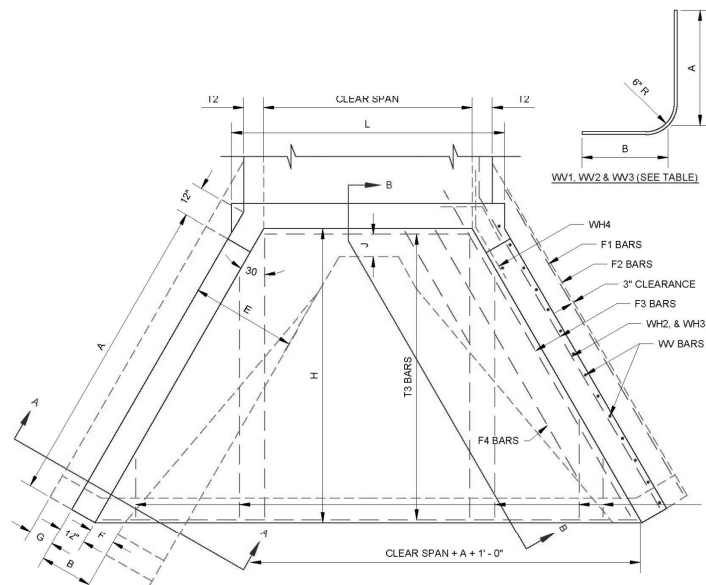


Table with columns for DESIGN #, CLEAR SPAN, CLEAR HEIGHT, dimensions A-L, reinforcement bar types and quantities (F1-F4, WH1-WH4, WW, T1-T3), and TOTAL QUANTITIES (REIN. STEEL LBS., CONC. C.Y.).

The City of Oklahoma City Public Works Department Engineering Division



APPROVED BY: DATE: 02-05-13
ERIC J. WEAVER, P.E. CITY ENGINEER
DRAWN: VSC
DATE: 02-05-13

STANDARD REINFORCED CONCRETE BOX - ONE CELL - FLARED WING

Drawing Number D-401

NORTH WESTERN AVE. OKLAHOMA CO.

OKLAHOMA DEPARTMENT OF TRANSPORTATION
OKLAHOMA CITY STANDARD D-103
STATE JOB NO. JP 30326(04) SHEET NO. 54

Table with columns for DESIGN, DRAWN, CHECKED, APPROVED, SQUAD and corresponding values (KG, NDA, KA, MacArthur).