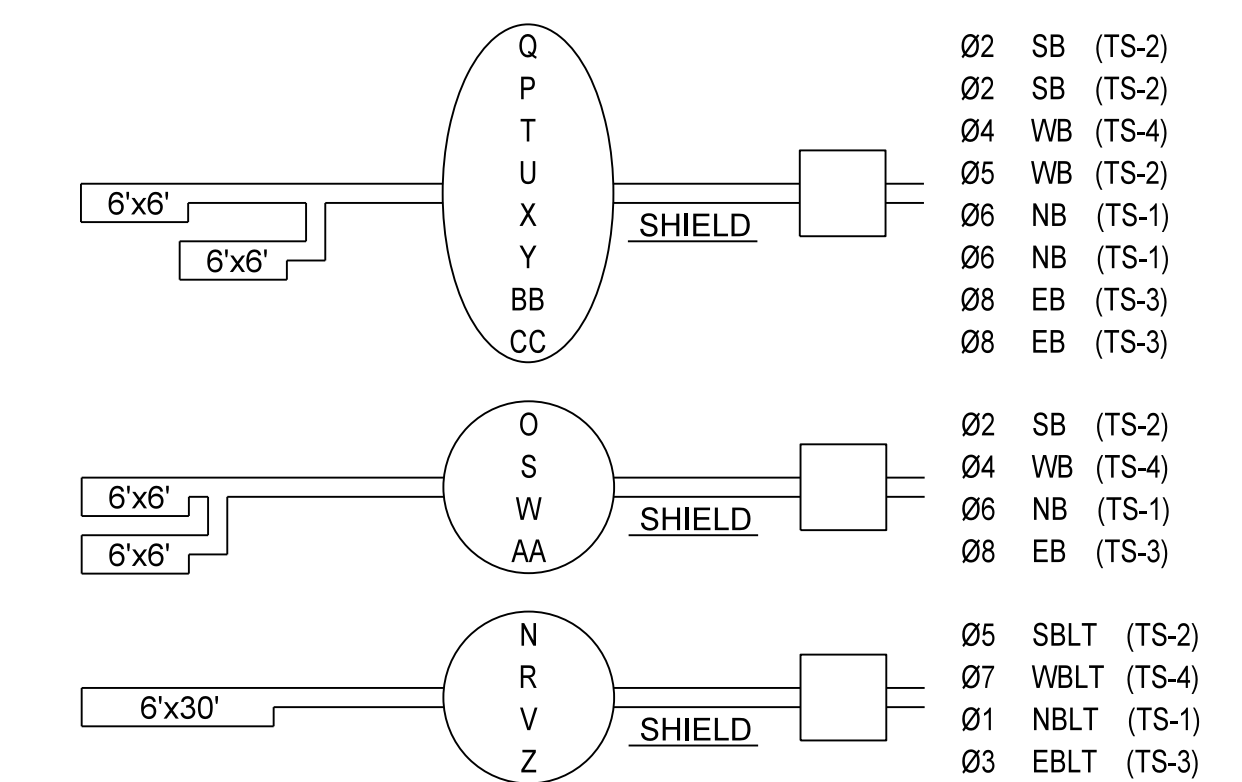
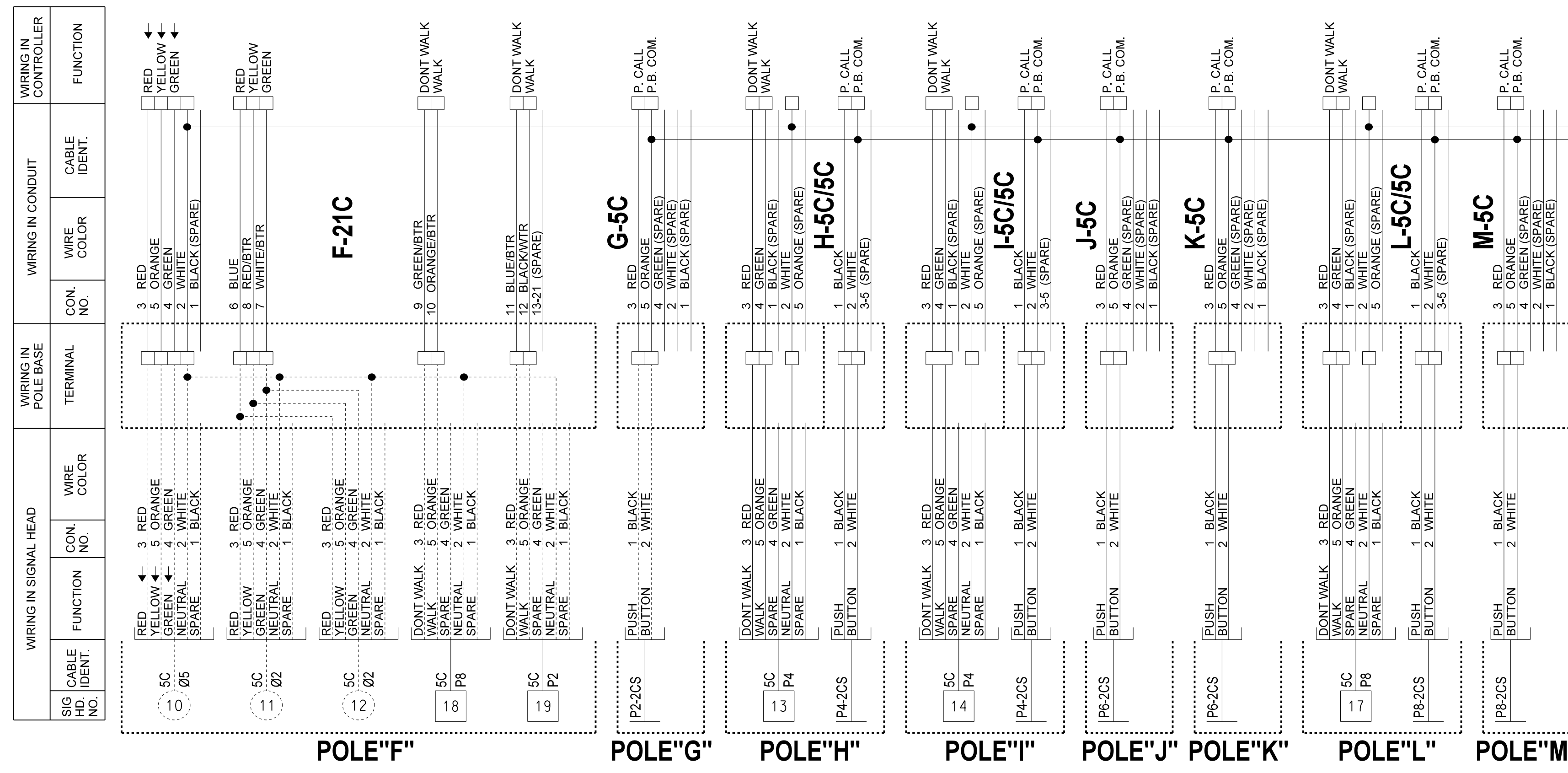
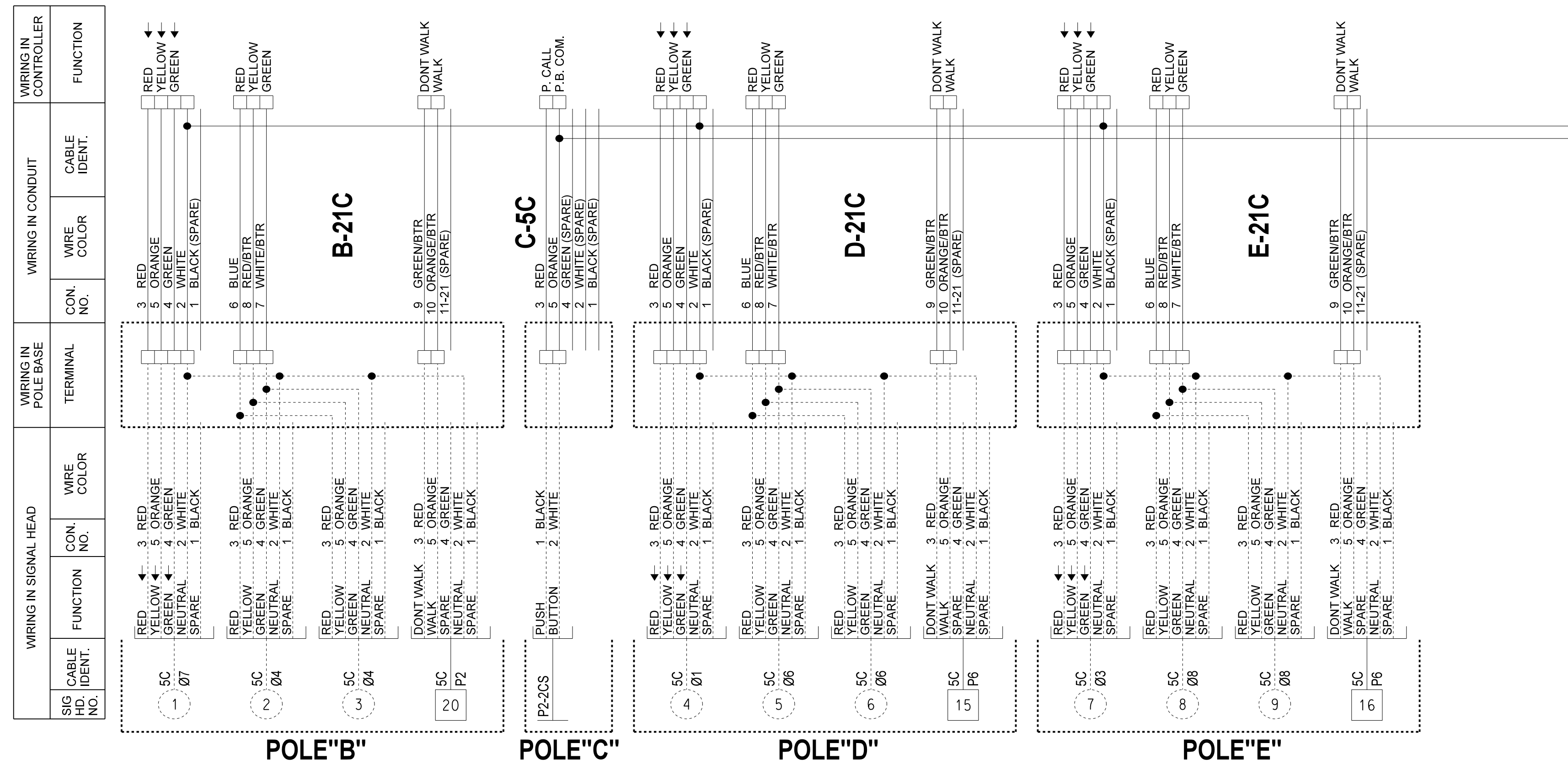


REVISIONS		
NO.	DESCRIPTION	DATE

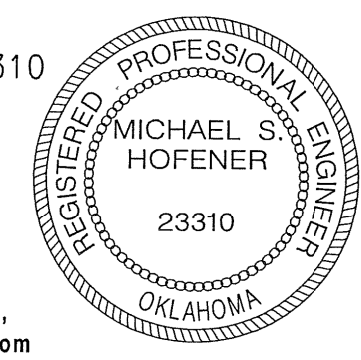


AREAS OF THERMAL DETECTION

EXISTING WIRE IN SIGNAL POLES SHALL REMAIN IN PLACE. CONTRACTOR SHALL REMOVE EXISTING PEDESTRIAN HEADS AND INSTALL NEW PEDESTRIAN HEADS USING EXISTING WIRES.

NOTE:
IF JUMPERS OR OTHER CONNECTIONS ARE MADE IN THE FIELD DURING INSTALLATION, AND ARE ACCEPTED BY THE ENGINEER THIS SHOULD BE SHOWN ON THE WIRING DIAGRAM FOR FUTURE REFERENCE.

Michael S. Hofener
MICHAEL S. HOFENER, P.E. # 23310
C.A. # 1160, RENEWAL 06-30-17



DATE: 09-16-16
Traffic Engineering Consultants, Inc.
6000 S. Western, Suite 300 - Oklahoma City, OK 73139,
Ph: 405-720-7721, Fax: 405-720-9848, Web: www.tecok.com

Design	MSH	09/07/17
Drawn	CCC	09/07/17

**PEDESTRIAN SIGNAL WIRING DIAGRAM
WESTERN AVE. & N.W. 178th ST.**



State Job No. 30326(04) Sheet No. 47