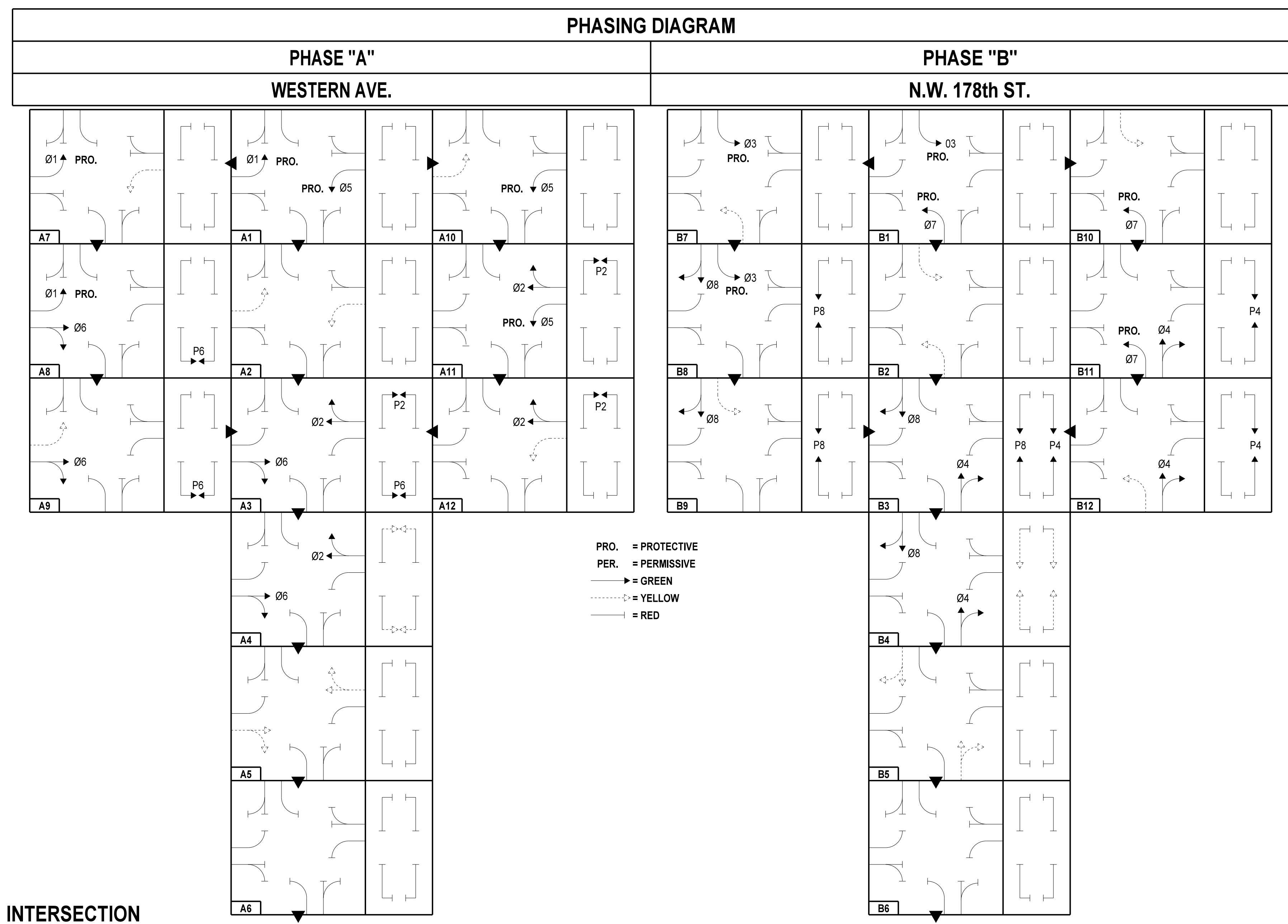
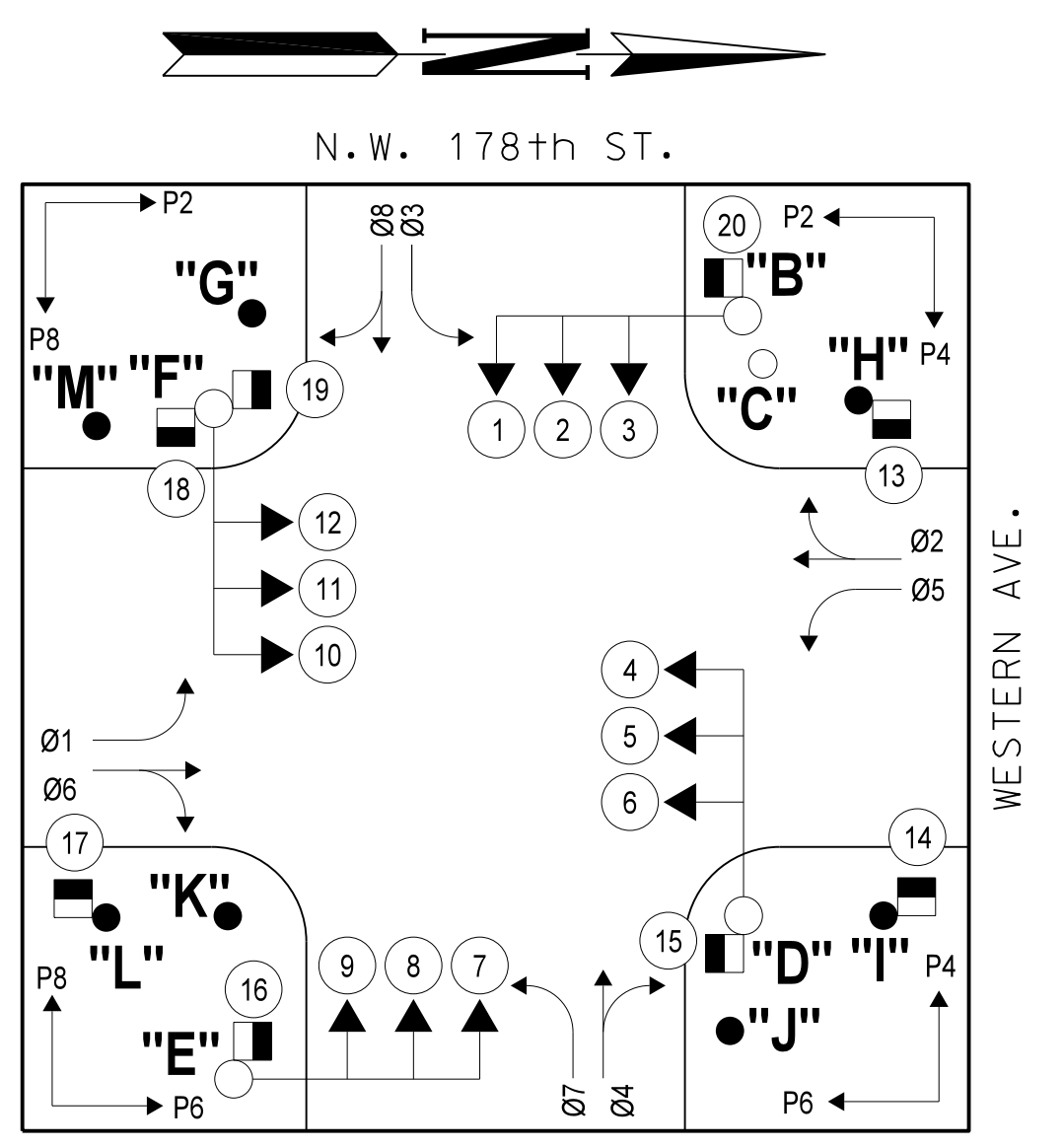


REVISIONS		
NO.	DESCRIPTION	DATE



DIRECTION	BLOCK NO.	PHASE															
		Ø7	Ø4	Ø1	Ø6	Ø3	Ø8	Ø5	Ø2	P4	P6	P8	P2	SIGNAL HEAD NO.			
		1	2,3	4	5,6	7	8,9	10	11,12	13,14	15,16	17,18	19,20				
Ø1 & Ø5 ROW	A1	←R	R	←G	R	←R	R	←G	R	DW	DW	DW	DW				
Ø1 & Ø5 CL	A2	←R	R	←Y	R	←R	R	←Y	R	DW	DW	DW	DW				
Ø6, Ø2, P6 & P2 ROW	A3	←R	R	←R	G	←R	R	←R	G	DW	W	DW	W				
Ø6, Ø2 ROW, P6, P2 CL	A4	←R	R	←R	G	←R	R	←R	G	DW	FDW	DW	FDW				
Ø6 & Ø2 CL	A5	←R	R	←R	Y	←R	R	←R	Y	DW	DW	DW	DW				
ALL RED	A6	←R	R	←R	R	←R	R	←R	R	DW	DW	DW	DW				
Ø1 ROW, Ø5 CL	A7	←R	R	←G	R	←R	R	←Y	R	DW	DW	DW	DW				
Ø1, Ø6 & P6 ROW	A8	←R	R	←G	G	←R	R	←R	R	DW	W	DW	DW				
Ø6 & P6 ROW, Ø1 CL	A9	←R	R	←Y	G	←R	R	←R	R	DW	W	DW	DW				
Ø5 ROW, Ø1 CL	A10	←R	R	←Y	R	←R	R	←G	R	DW	DW	DW	DW				
Ø5, Ø2, & P2 ROW	A11	←R	R	←R	R	←R	R	←G	G	DW	DW	DW	W				
Ø2 & P2 ROW, Ø5 CL	A12	←R	R	←R	R	←R	R	←Y	G	DW	DW	DW	W				
Ø7 & Ø3 ROW	B1	←G	R	←R	R	←G	R	←R	R	DW	DW	DW	DW				
Ø7 & Ø3 CL	B2	←Y	R	←R	R	←Y	R	←R	R	DW	DW	DW	DW				
Ø4, Ø8, P4 & P8 ROW	B3	←R	G	←R	R	←R	G	←R	R	W	DW	W	DW				
Ø4, Ø8 ROW, P4, P8 CL	B4	←R	G	←R	R	←R	G	←R	R	FDW	DW	FDW	DW				
Ø4 & Ø8 CL	B5	←R	Y	←R	R	←R	Y	←R	R	DW	DW	DW	DW				
ALL RED	B6	←R	R	←R	R	←R	R	←R	R	DW	DW	DW	DW				
Ø7 ROW, Ø3 CL	B7	←G	R	←R	R	←Y	R	←R	R	DW	DW	DW	DW				
Ø7, Ø8 & P8 ROW	B8	←G	R	←R	R	←R	G	←R	R	DW	DW	W	DW				
Ø8 & P8 ROW, Ø7 CL	B9	←Y	R	←R	R	←R	G	←R	R	DW	DW	W	DW				
Ø3 ROW, Ø7 CL	B10	←Y	R	←R	R	←G	R	←R	R	DW	DW	DW	DW				
Ø4, Ø3 & P4 ROW	B11	←R	G	←R	R	←G	R	←R	R	W	DW	DW	DW				
Ø4 & P4 ROW, Ø3 CL	B12	←R	G	←R	R	←Y	R	←R	R	W	DW	DW	DW				
FLASHING OPERATION	--	←FR	FR	←FR	FR	←FR	FR	←FR	FR	--	--	--	--				

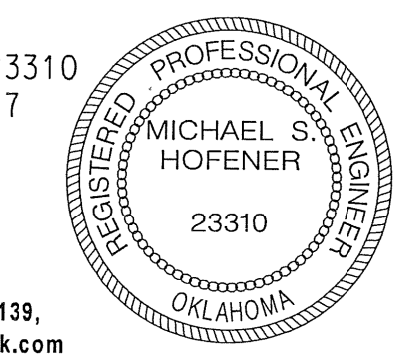
INTERSECTION PHASING & SIGNAL HEAD NO.'S



Michael S. Hofener
 MICHAEL S. HOFENER, P.E. # 23310
 C.A. # 1160, RENEWAL 06-30-17

09-16-16
 DATE

Traffic Engineering Consultants, Inc.
 6000 S. Western, Suite 300 - Oklahoma City, OK 73139,
 Ph: 405-720-7721, Fax: 405-720-9848, Web: www.tecok.com



Design	MSH	09/07/17
Drawn	CCC	09/07/17



PEDESTRIAN SIGNAL DETAIL PLAN
WESTERN AVE. & N.W. 178th ST.

State Job No. 30326(04) Sheet No. 46

09/07/17 G:\0\Projects\1-2202 NW 178th St & Western Ave Ped Impr\CAD\178th DET.dgn