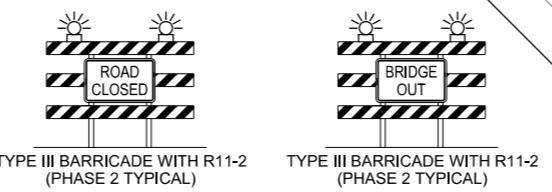
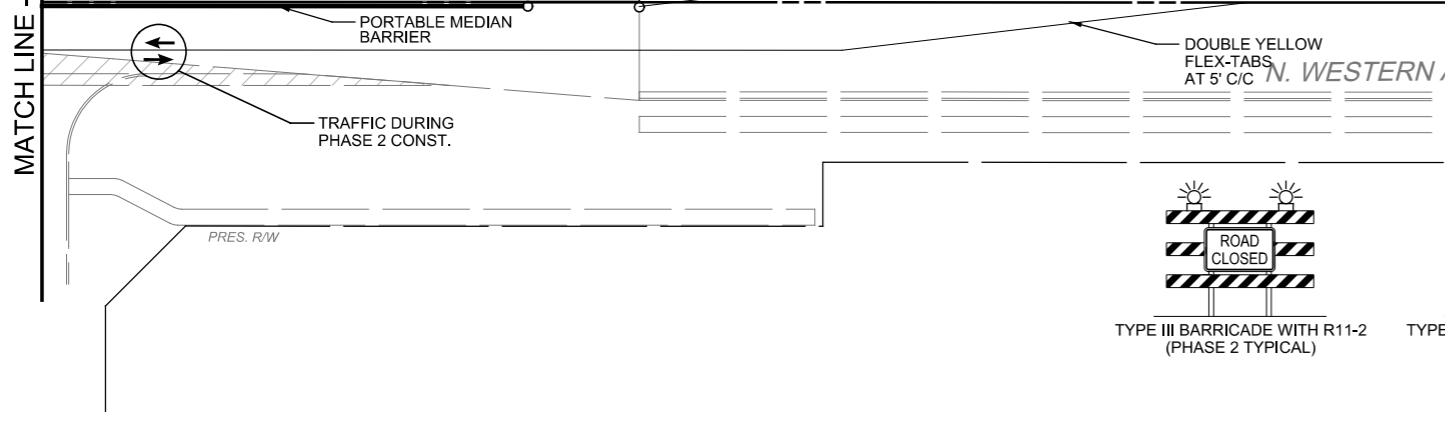
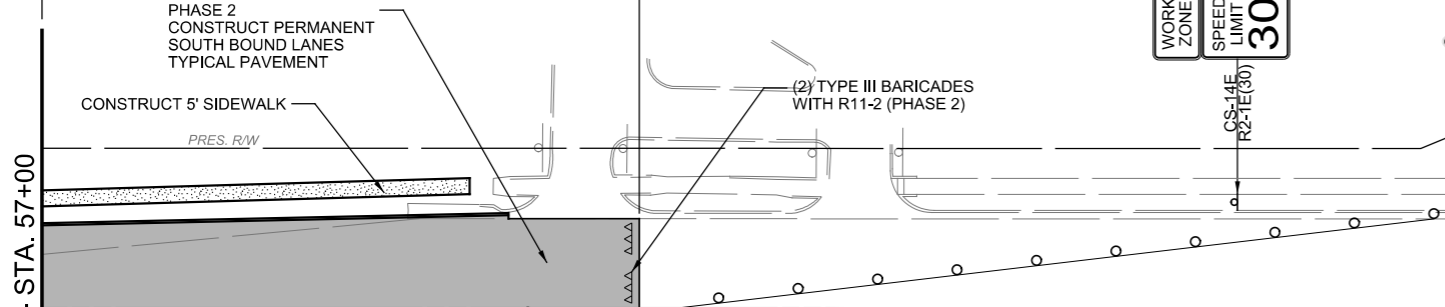
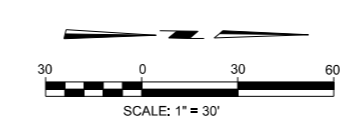
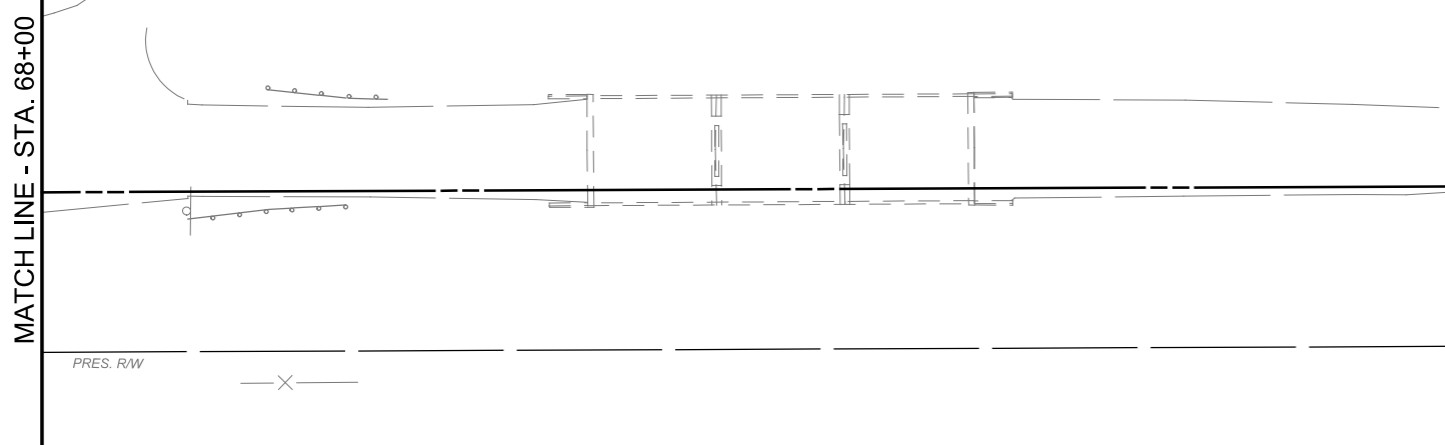


WORK AREA 110 CHANNELIZER CONES AT 50' C/C
 N. WESTERN AVE.
 PHASE 2
 CONSTRUCT PERMANENT
 SOUTH BOUND LANES
 TYPICAL PAVEMENT



SECTION LINE
 NW 192ND STREET



	PREVIOUSLY CONSTRUCTED TEMP. ASPHALT PAVEMENT
	PROP. CONC PAVEMENT
	PORTABLE MEDIAN BARRIER

N. WESTERN AVENUE

DESIGN	KG
DRAWN	NDA
CHECKED	KA
APPROVED	
SQUAD	MacArthur

NORTH WESTERN AVE. OKLAHOMA CO.
OKLAHOMA DEPARTMENT OF TRANSPORTATION
 SEQUENCE OF CONSTRUCTION (7)
 PHASE II
 STATE JOB NO. JP 30326(04) SHEET NO. 39

PRINT DATE: 12/19/2016 T:\1209\Drawings\Traffic\1209-S-Seq07.dgn