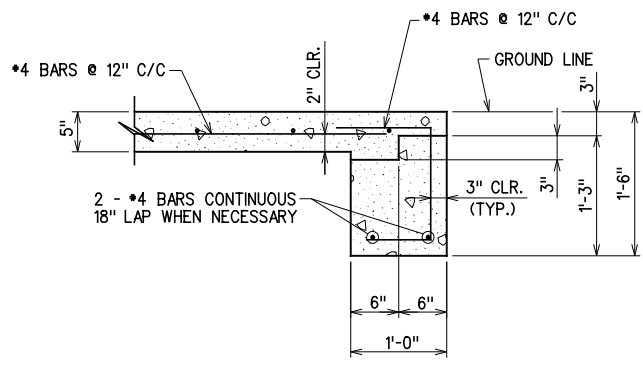
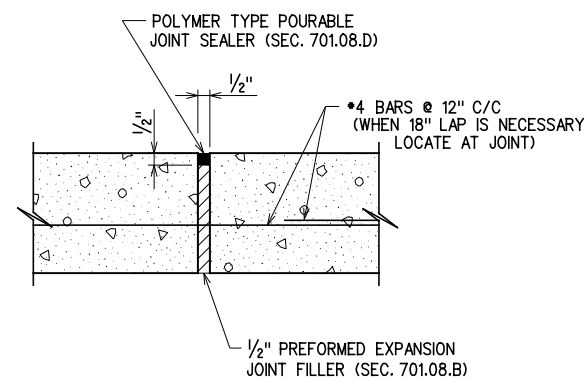


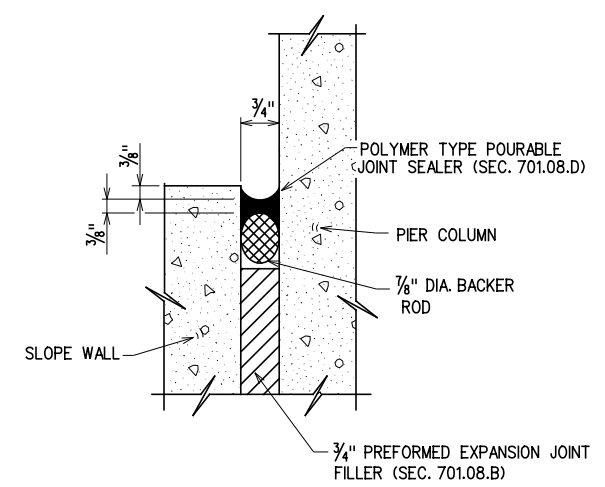
REV. NO.	DESCRIPTION	REVISIONS	DATE



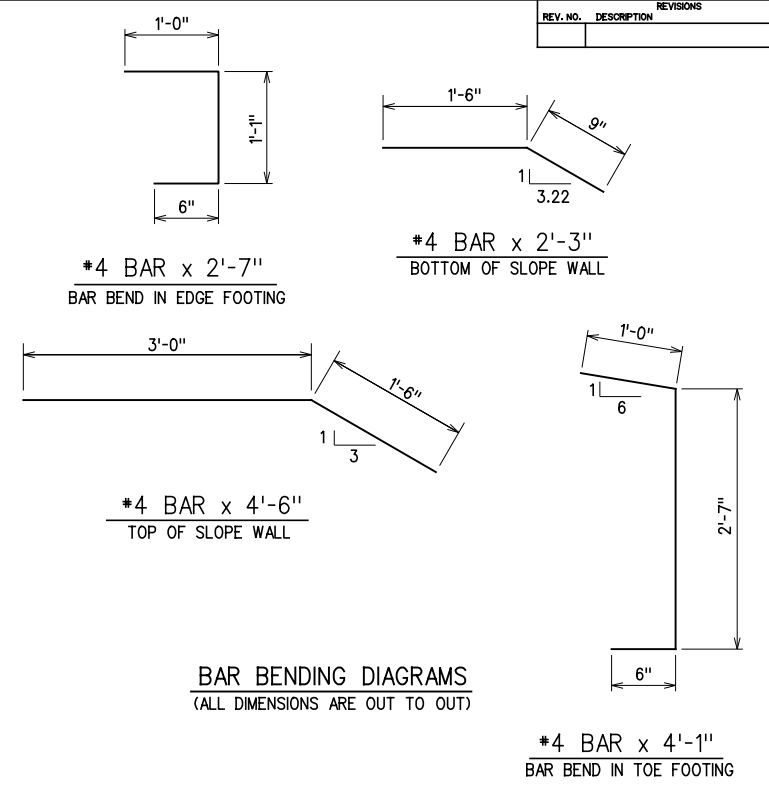
SECTION B-B



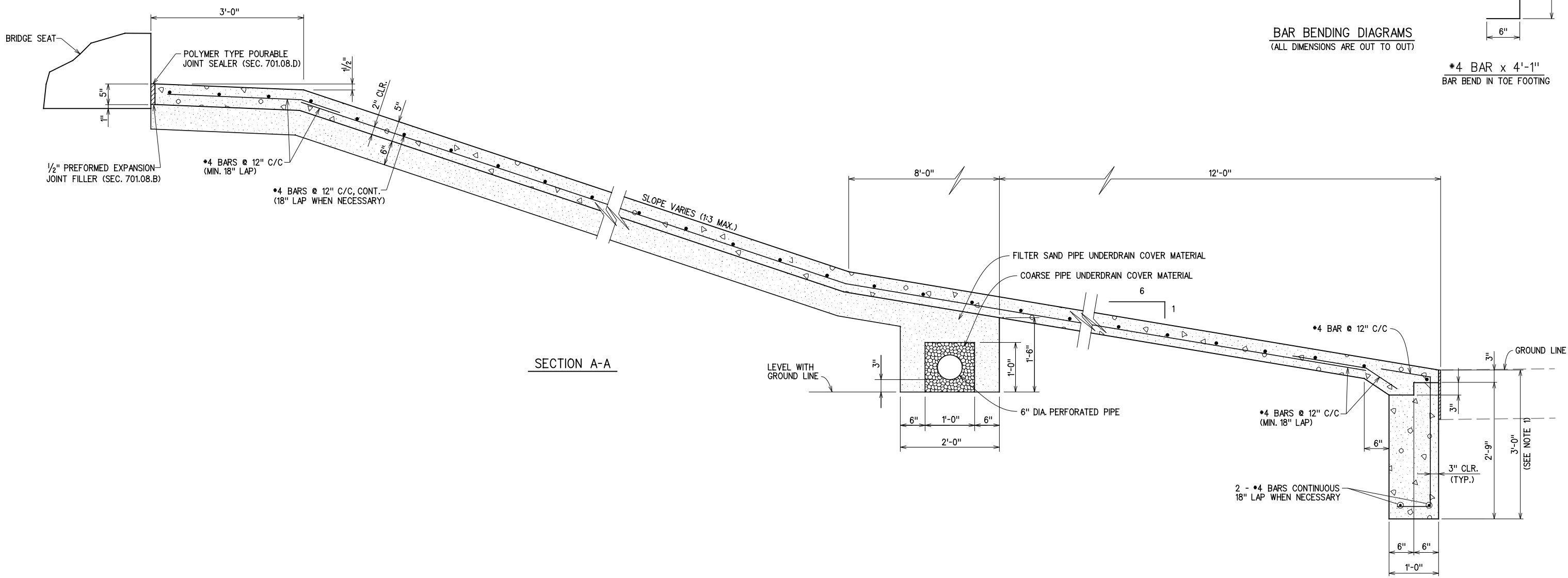
DETAIL OF VERTICAL CONSTRUCTION JOINT



JOINT DETAIL BETWEEN PIER COLUMN AND SLOPE WALL  
NOTE: FOR DETAILS NOT SHOWN, SEE STD. LECS-4



BAR BENDING DIAGRAMS  
(ALL DIMENSIONS ARE OUT TO OUT)



SECTION A-A

- NOTES:
1. SURFACE AREA OF TOE OF SLOPE WALL INCLUDED IN PAY QUANTITY SHOWN FOR SLOPE WALL.

DESIGN		ROCK CRUSHER RD. OVER I-35	MURRAY COUNTY
DRAWN		BRIDGE "A"	
CHECKED		SLOPE WALL DETAILS (2 OF 2)	
APPROVED			
SQUAD	G/K ENGR.	JOB PIECE NO. 30363(04)	SHEET NO. 80

X:\Odot\EC-1589B\Struc\Bridge\_A\SLOPEDET.dgn 3/2/2017