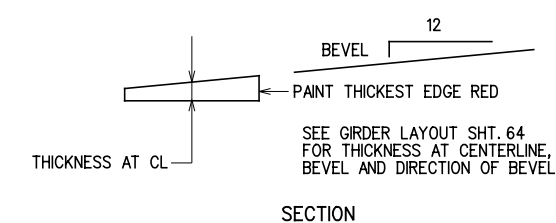
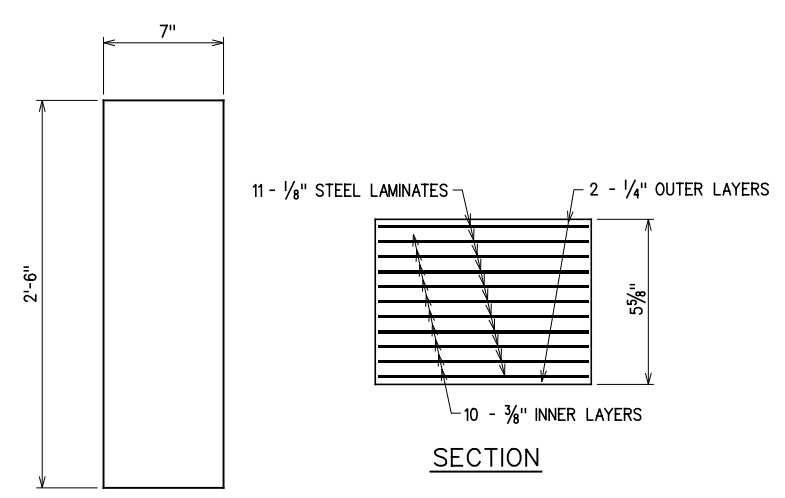


ANCHOR BOLT DETAIL



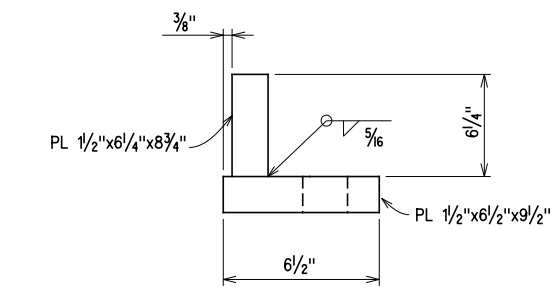
BEVELED ANCHOR PLATE DETAIL



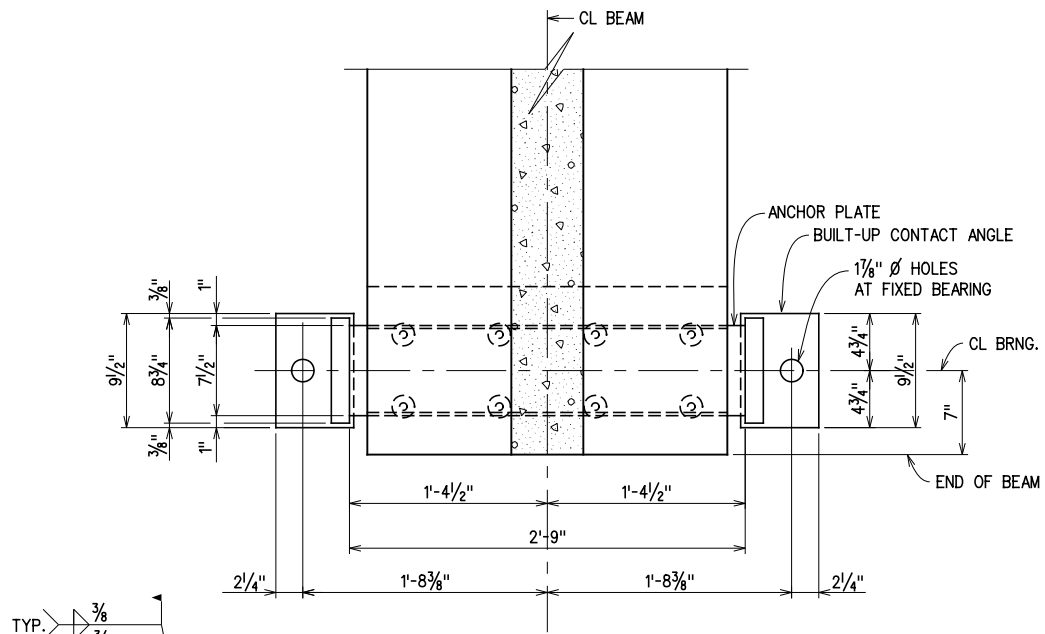
SECTION

PLAN

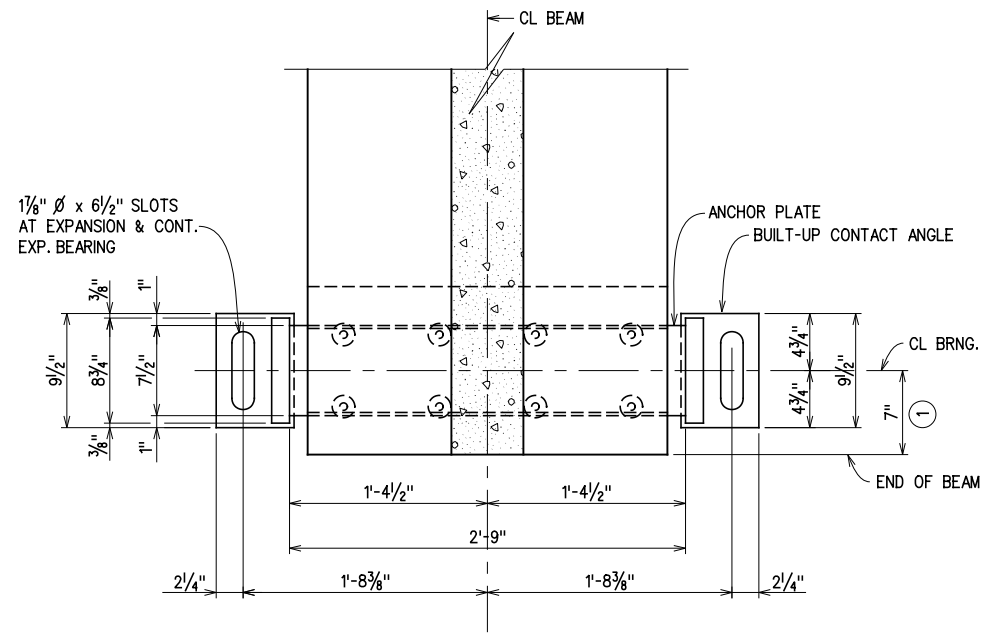
ELASTOMERIC BEARING PAD (60 DUROMETER HARDNESS)



BUILT-UP CONTACT ANGLE DETAIL

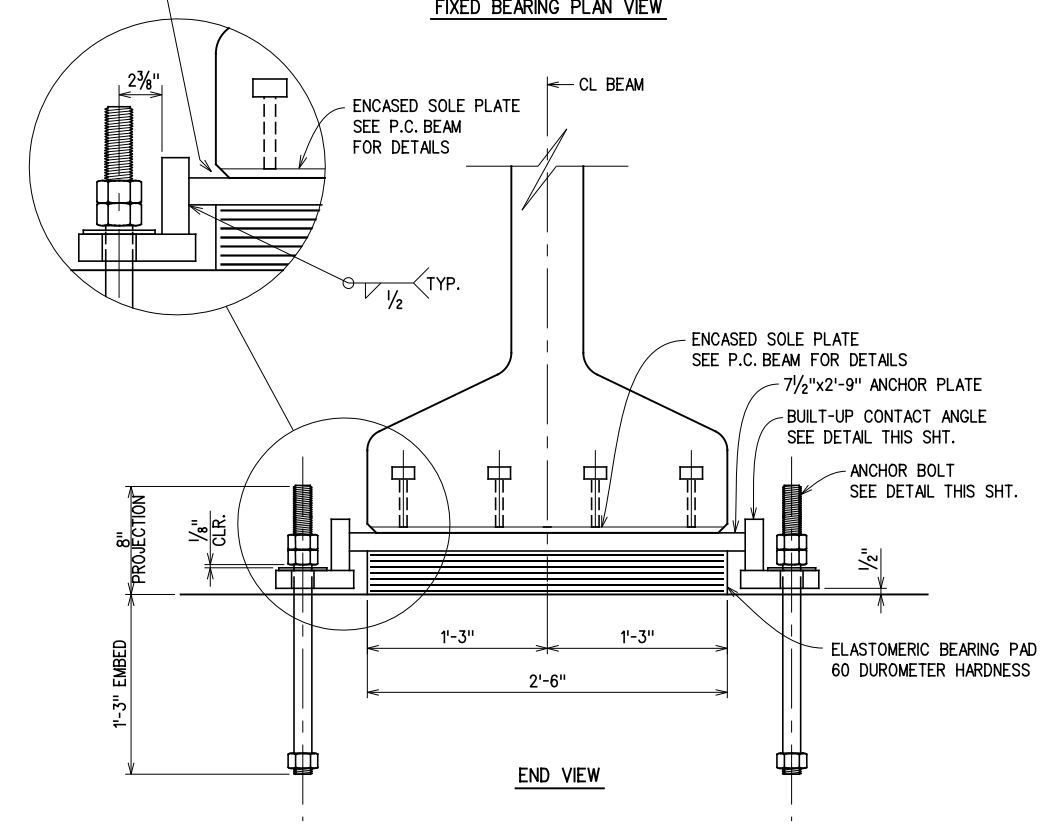


FIXED BEARING PLAN VIEW

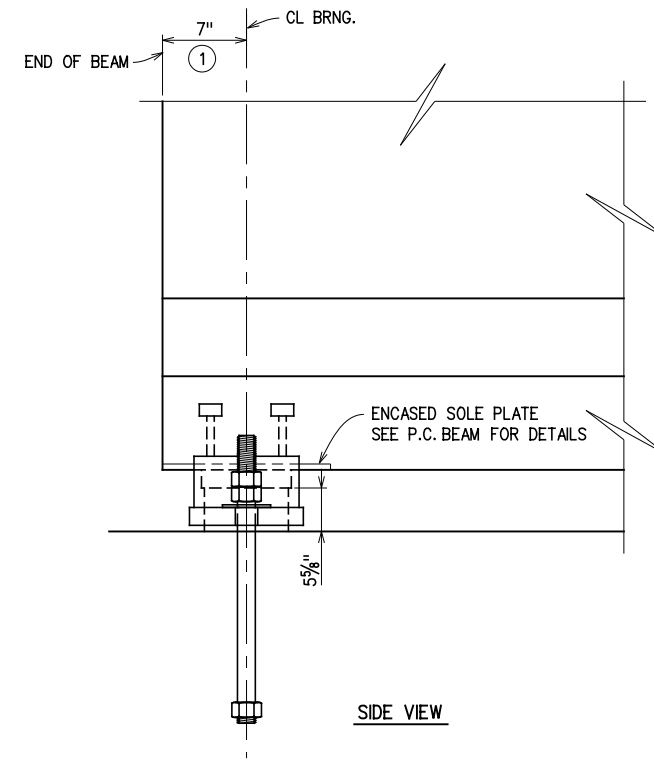


EXPANSION BEARING PLAN VIEW

① CENTER ANCHOR BOLTS IN SLOTS DURING SETTING OF BEAMS. DIMENSION MAY VARY DEPENDING ON TEMPERATURE AT THE TIME OF BEAM SETTING.



END VIEW



SIDE VIEW

TYPICAL BEARING ASSEMBLY

NOTES:

- COST OF ENCASED SOLE PLATE TO BE INCLUDED IN THE PRICE BID FOR PRESTRESSED GIRDERS.
- COST OF ANCHOR BOLTS, ANCHOR PLATES, BUILT-UP CONTACT ANGLES AND ELASTOMERIC BEARING PADS TO BE PAID FOR AT THE UNIT PRICE BID FOR "STAINLESS STEEL FIXED BEARING ASSEMBLY" OR "STAINLESS STEEL EXPANSION BEARING ASSEMBLY".
- ALL COST OF FIELD WELDING TO BE INCLUDED IN THE PRICE BID FOR OTHER ITEMS OF WORK.

TYPE J BEAMS

DESIGN		ROCK CRUSHER RD. OVER I-35	MURRAY COUNTY
DRAWN		BRIDGE "A"	
CHECKED		BEARING ASSEMBLY DETAILS	
APPROVED		(2 OF 2)	
SQUAD	G/K ENGR.	JOB PIECE NO. 30363(04)	SHEET NO. 76

X:\Odot\EC-1589B\Struc\Bridg-A\bearing-i.dgn

3/2/2017