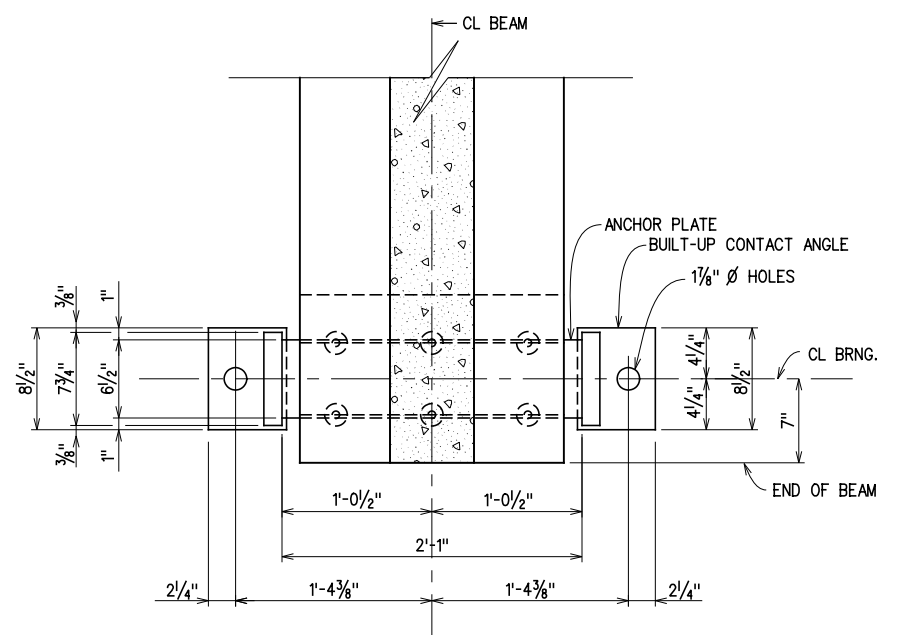
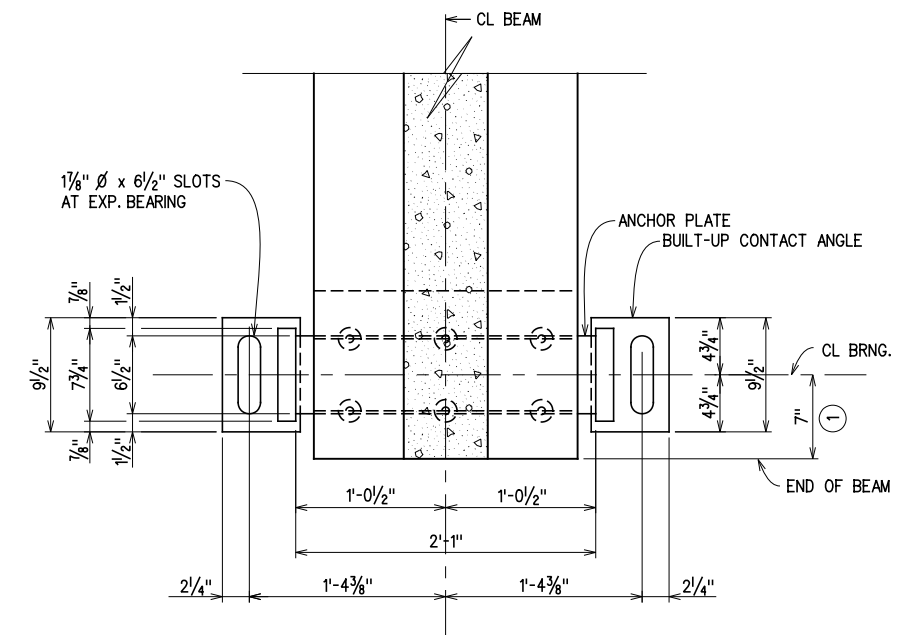


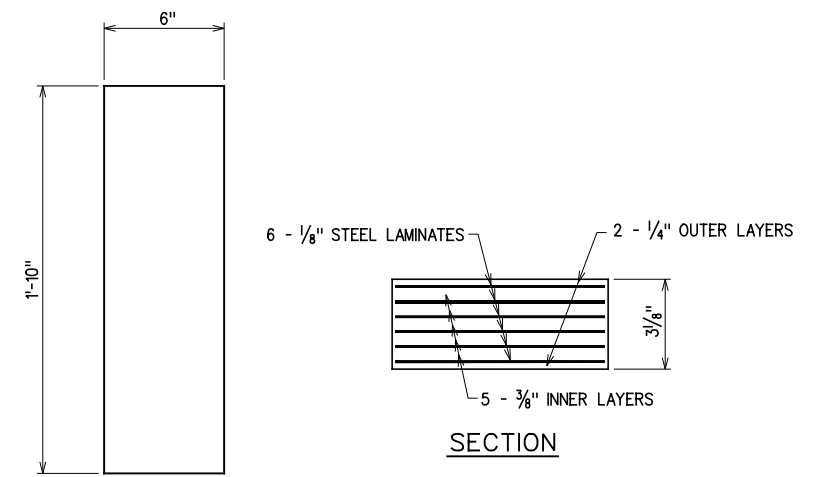
REV. NO.	DESCRIPTION	REVISIONS	DATE



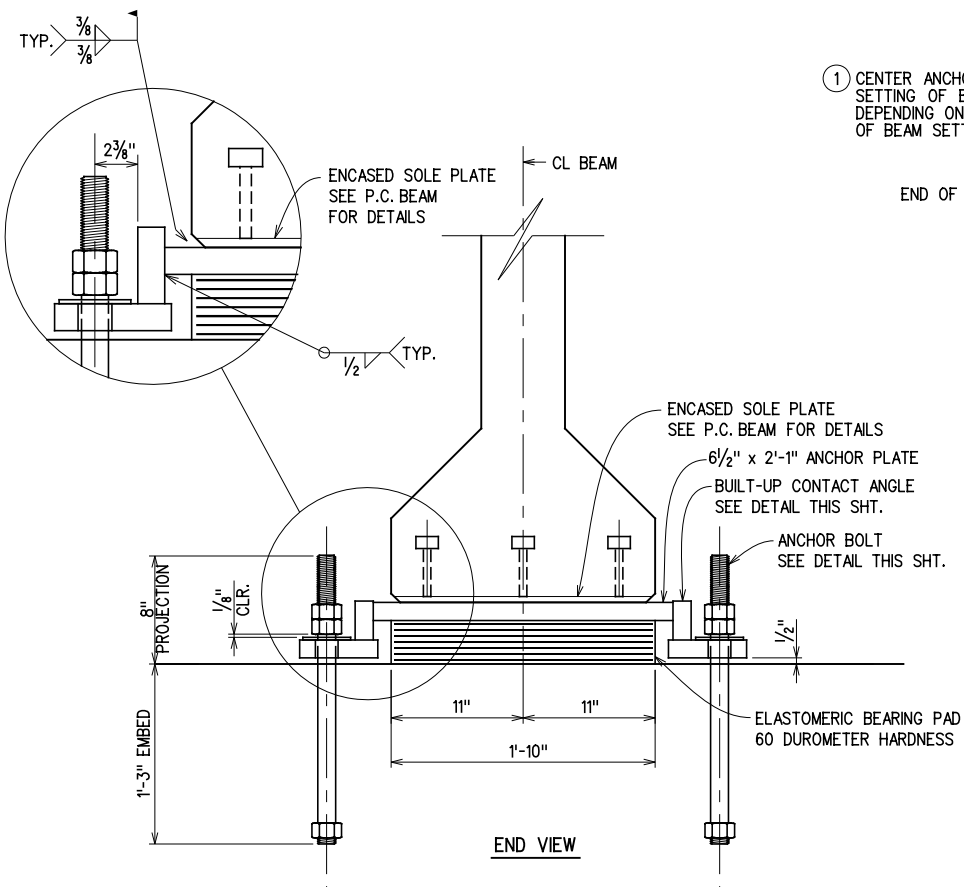
FIXED BEARING PLAN VIEW



EXPANSION BEARING PLAN VIEW

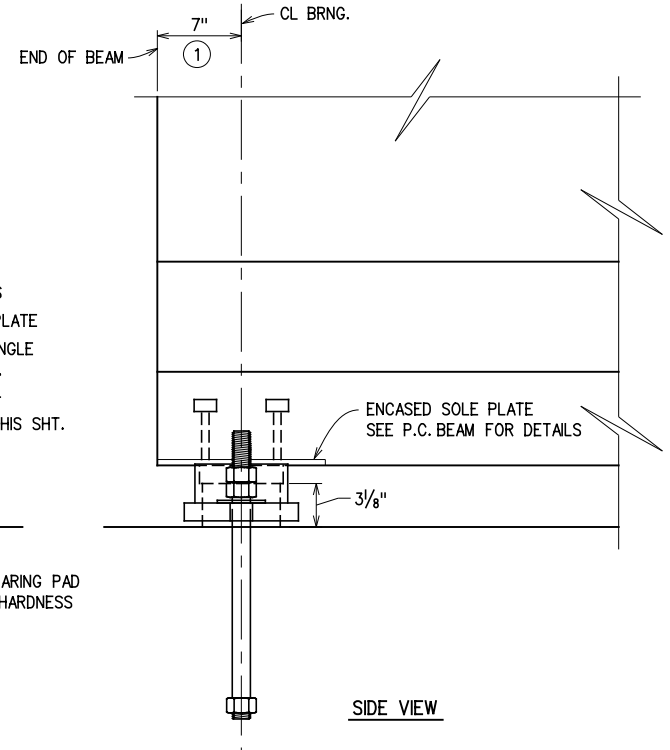


ELASTOMERIC BEARING PAD
(60 DUROMETER HARDNESS)

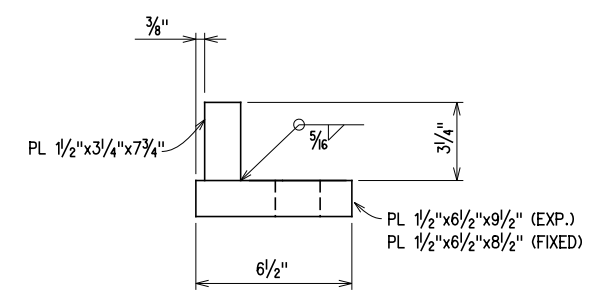


TYPICAL BEARING ASSEMBLY

① CENTER ANCHOR BOLTS IN SLOTS DURING SETTING OF BEAMS. DIMENSION MAY VARY DEPENDING ON TEMPERATURE AT THE TIME OF BEAM SETTING.



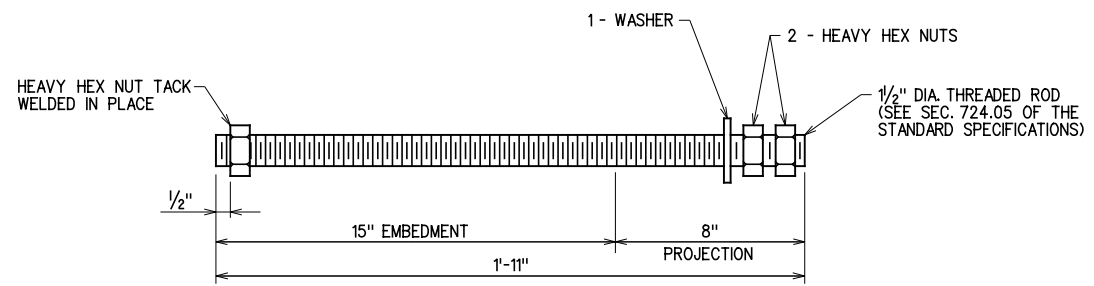
SIDE VIEW



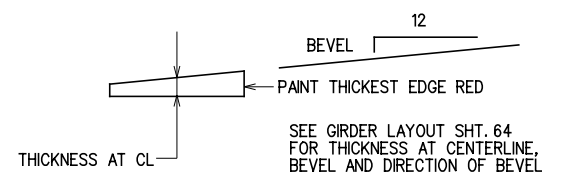
BUILT-UP CONTACT ANGLE DETAIL

NOTES:

- COST OF ENCASED SOLE PLATE TO BE INCLUDED IN THE PRICE BID FOR PRESTRESSED GIRDERS.
- COST OF ANCHOR BOLTS, ANCHOR PLATES, BUILT-UP CONTACT ANGLES AND ELASTOMERIC BEARING PADS TO BE PAID FOR AT THE UNIT PRICE BID FOR "STAINLESS STEEL FIXED BEARING ASSEMBLY" OR "STAINLESS STEEL EXPANSION BEARING ASSEMBLY".
- ALL COST OF FIELD WELDING TO BE INCLUDED IN THE PRICE BID FOR OTHER ITEMS OF WORK.



ANCHOR BOLT DETAIL



BEVELED ANCHOR PLATE DETAIL

TYPE III BEAMS		ROCK CRUSHER RD. OVER I-35	MURRAY COUNTY
DESIGN		BRIDGE "A"	
DRAWN		BEARING ASSEMBLY DETAILS (1 OF 2)	
CHECKED			
APPROVED			
SQUAD	G/K ENGR.		
		JOB PIECE NO. 30363(04)	SHEET NO. 75

X:\Odot\EC-1589B\Struc\Bridge_A\bearing-3.dgn

3/2/2017