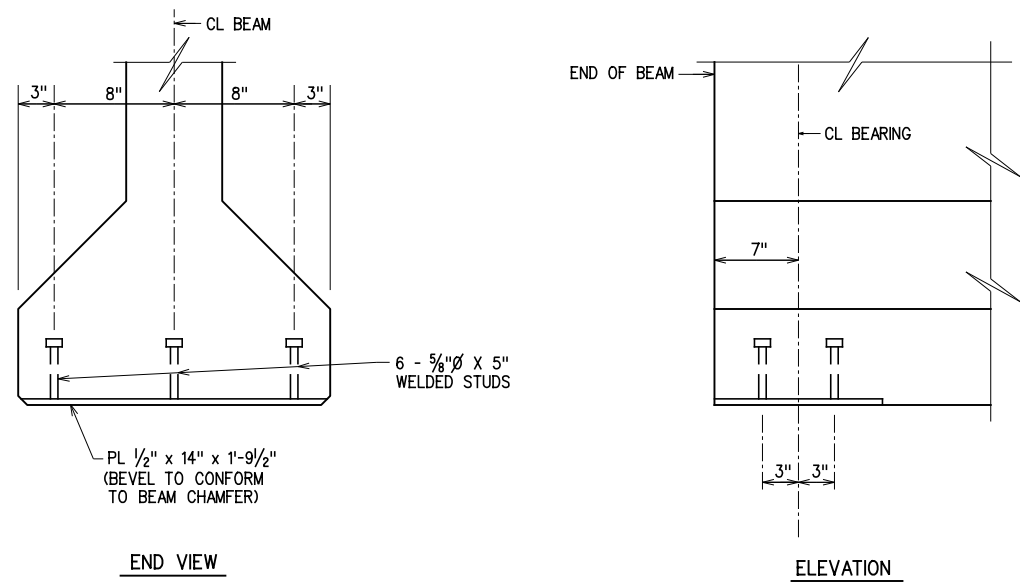
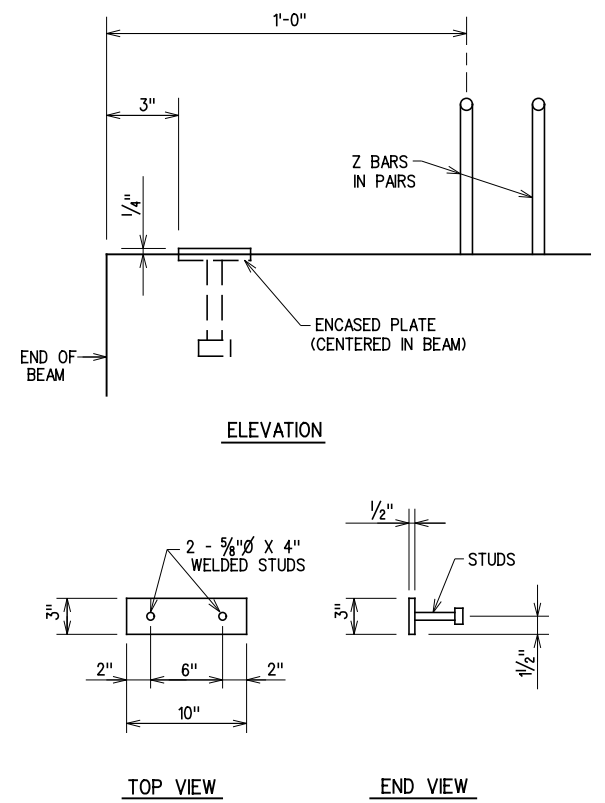


REV. NO.	DESCRIPTION	REVISIONS	DATE



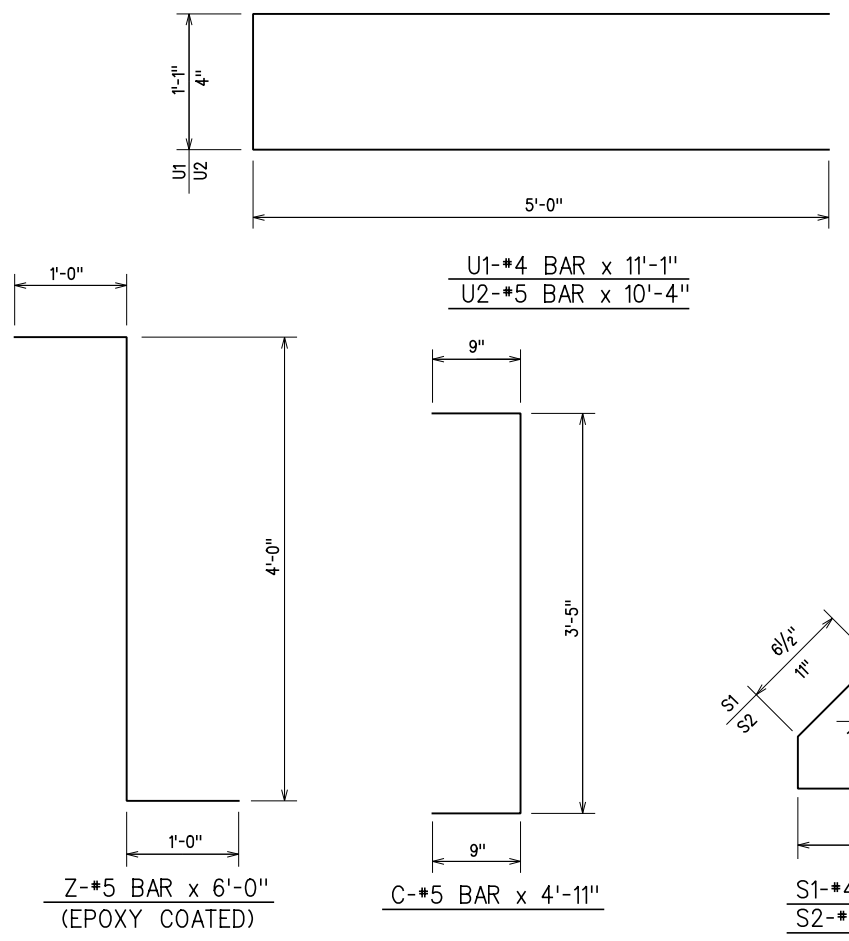
TYPE III P.C. BEAMS

ENCASED SOLE PLATE DETAILS
 NOTE: ENCASED SOLE PLATE LOCATED AT EACH END OF BEAM.

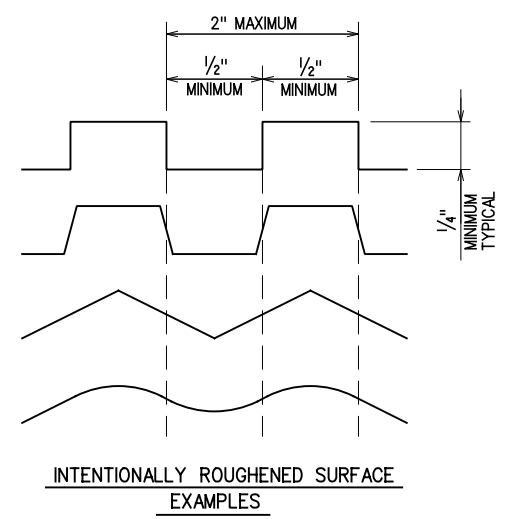


ENCASED BEAM PLATE DETAILS

NOTE: ENCASED BEAM PLATE LOCATED AT EXPANSION ENDS ONLY.



BAR BENDING DIAGRAMS
 (ALL DIMENSIONS ARE OUT TO OUT)



INTENTIONALLY ROUGHENED SURFACE EXAMPLES

TOP SURFACE OF P.C. BEAMS SHALL BE INTENTIONALLY ROUGHENED TO A MINIMUM HEIGHT OF 1/4" OVER A MAXIMUM PITCH OF 2" MEASURED LONGITUDINALLY ALONG THE LENGTH OF THE BEAM. THE CREST AND TROUGH ASSOCIATED WITH THE HEIGHT SHALL NOT BE LESS THAN 1/2" AND SHALL EXTEND THE FULL WIDTH OF THE TOP FLANGE. ROUGHENED SURFACE MAY BE OBTAINED BY A SPECIAL TROWEL AS SHOWN IN THE EXAMPLES, BY CLEANING THE CONCRETE SURFACE WITH A STIFF WIRE BRUSH (OR BLASTING) TO THE EXTENT THAT AGGREGATE IS EXPOSED TO A HEIGHT OF 1/4", OR BY ANOTHER APPROVED METHOD. THE METHOD USED SHALL BE SUBMITTED FOR APPROVAL BY THE ENGINEER. REPAIR ANY DAMAGE TO REINFORCEMENT EPOXY COATING BEFORE PLACEMENT OF DECK CONCRETE.

DESIGN		ROCK CRUSHER RD. OVER I-35	MURRAY COUNTY
DRAWN		BRIDGE "A"	
CHECKED		TYPE III P.C. BEAM DETAILS (2 OF 2)	
APPROVED			
SQUAD	G/K ENGR.	JOB PIECE NO. 30363(04)	SHEET NO. 70

X:\Odot\EC-1589B\Struc\Bridge_A\BEAM - TYPE 3.dgn 3/2/2017