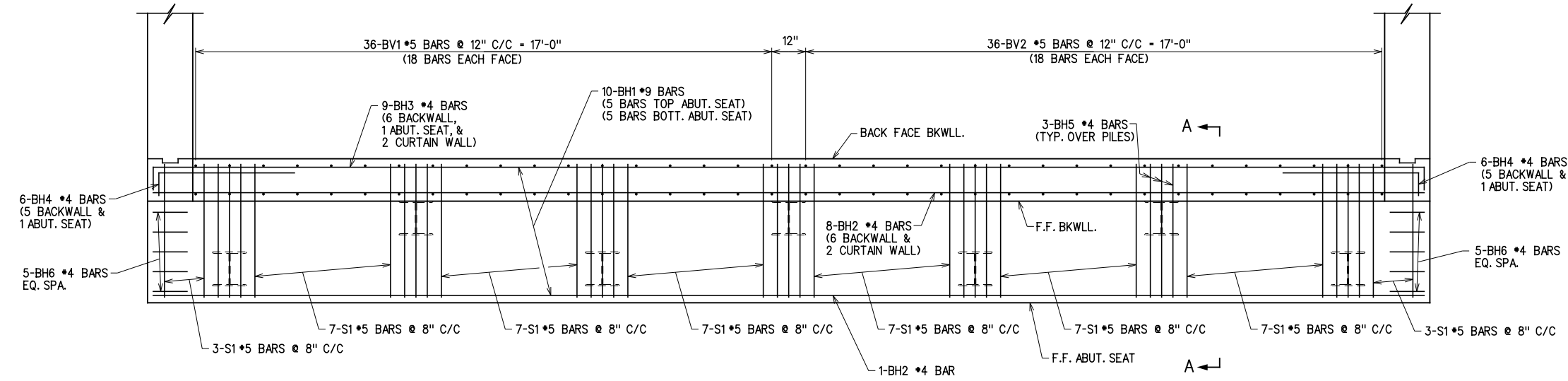
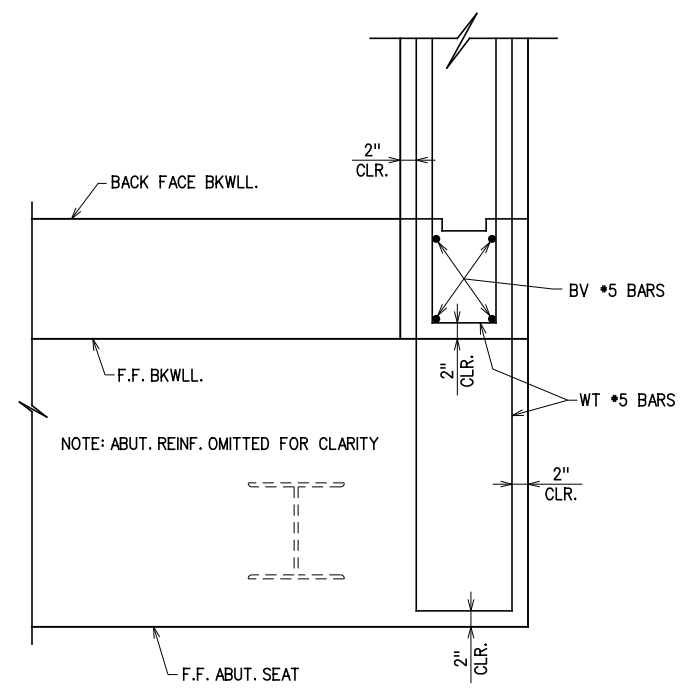


REV. NO.	DESCRIPTION	REVISIONS	DATE

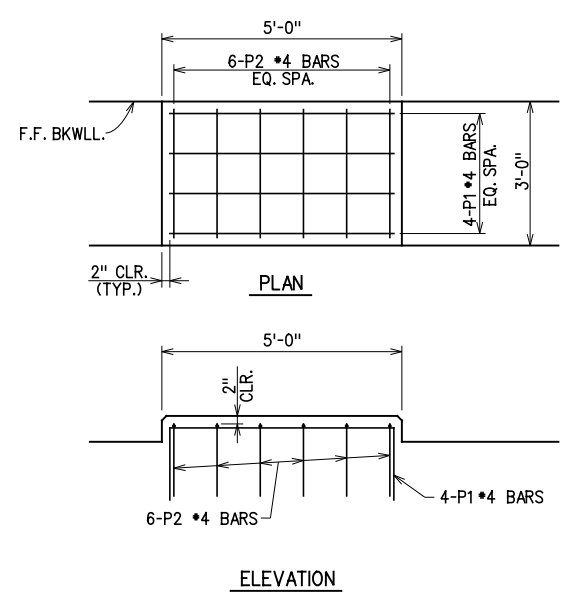


NOTE: PILE ENCASEMENTS NOT SHOWN FOR CLARITY.

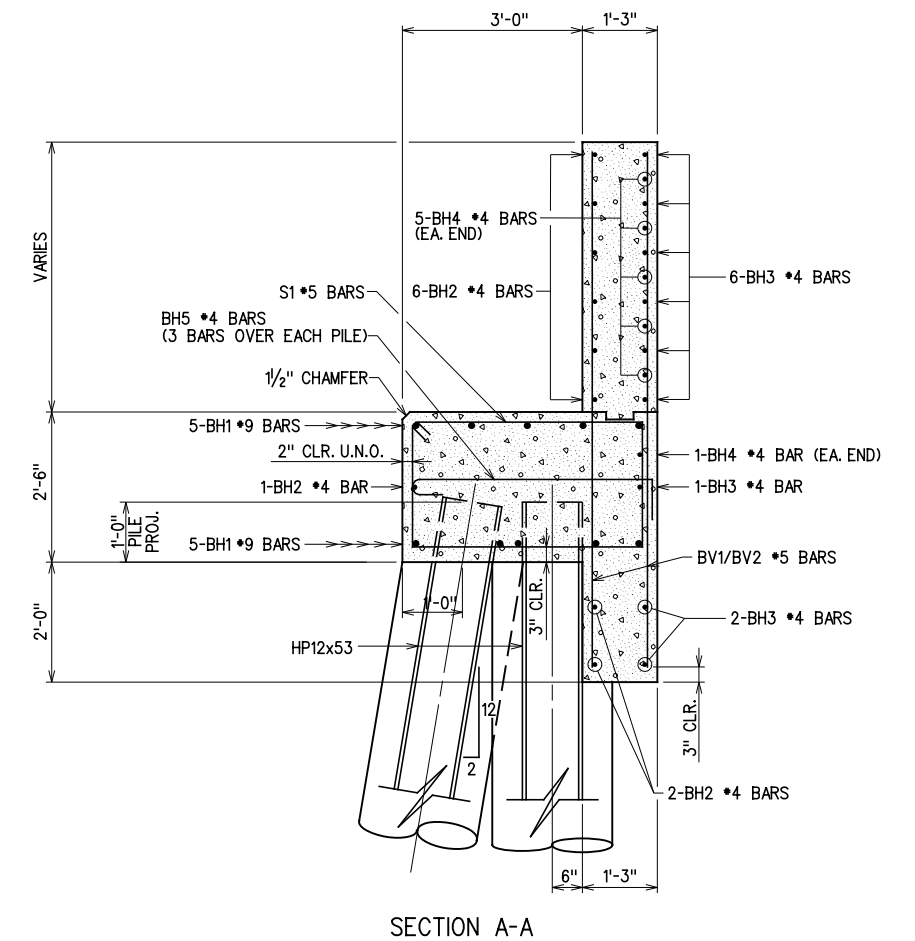
**ABUTMENT REINFORCING PLAN**



**WING REINFORCING DETAIL**



**PEDESTAL DETAILS**



**SECTION A-A**

X:\Odot\EC-1589B\Struc\Bridge\_A\ABUT1-2.dgn 3/2/2017

DESIGN		ROCK CRUSHER RD. OVER I-35		MURRAY COUNTY	
DESIGN		BRIDGE "A"			
DRAWN					
CHECKED					
APPROVED					
SQUAD	G/K ENGR.	JOB PIECE NO.	30363(04)	SHEET NO.	49

**ABUTMENT NO. 1**  
**ABUTMENT DETAILS**  
**(2 OF 8)**