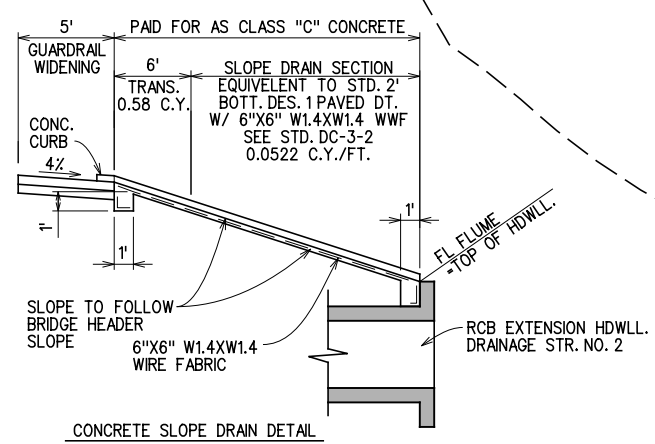
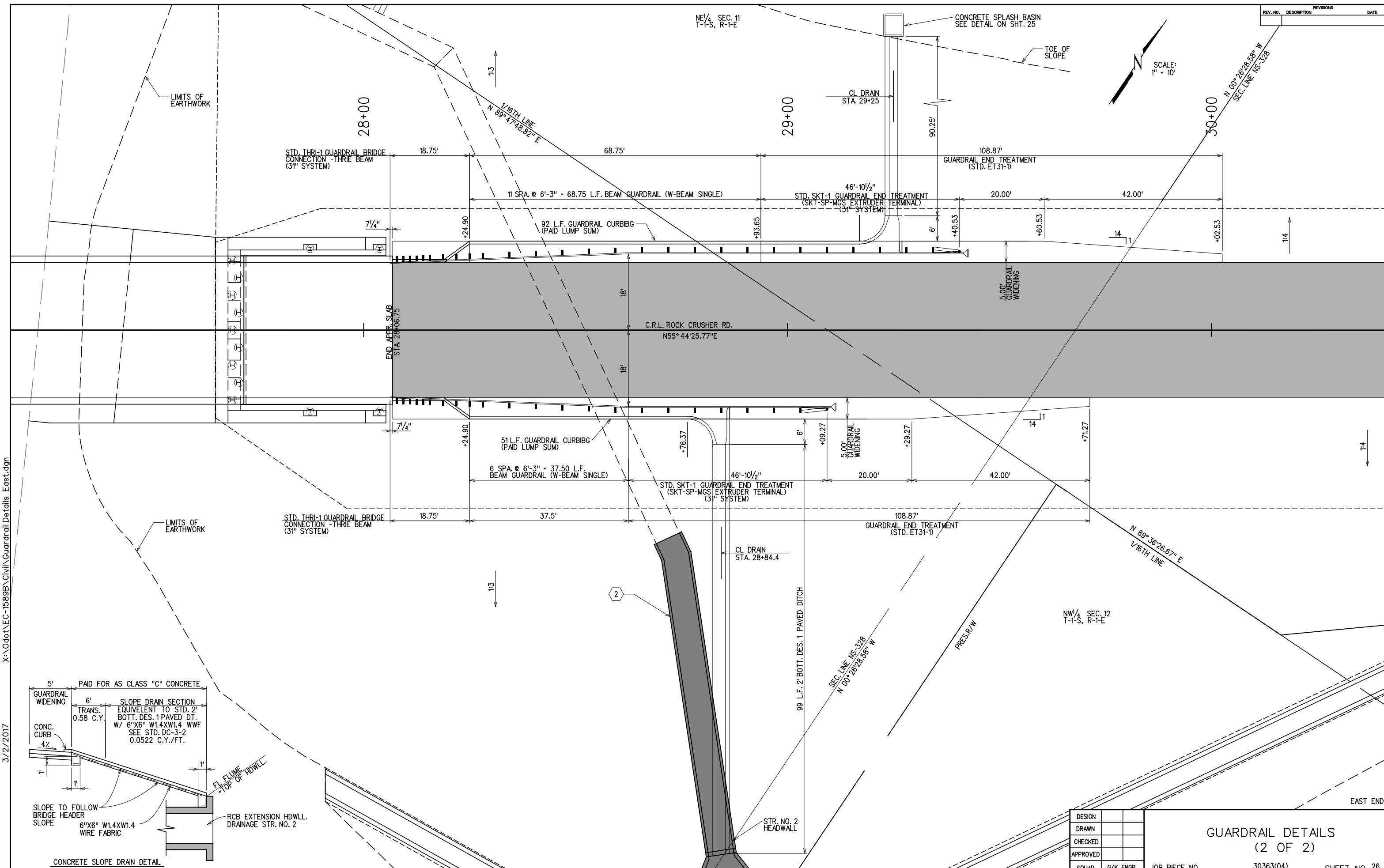


REV. NO.	DESCRIPTION	DATE



DESIGN			
DRAWN			
CHECKED			
APPROVED			
SQUAD	G/K ENGR.	JOB PIECE NO.	30363(04)

GUARDRAIL DETAILS
(2 OF 2)

SHEET NO. 26

X:\Odot\EC-1589B\Civil\Guardrail Details East.dgn

3/2/2017