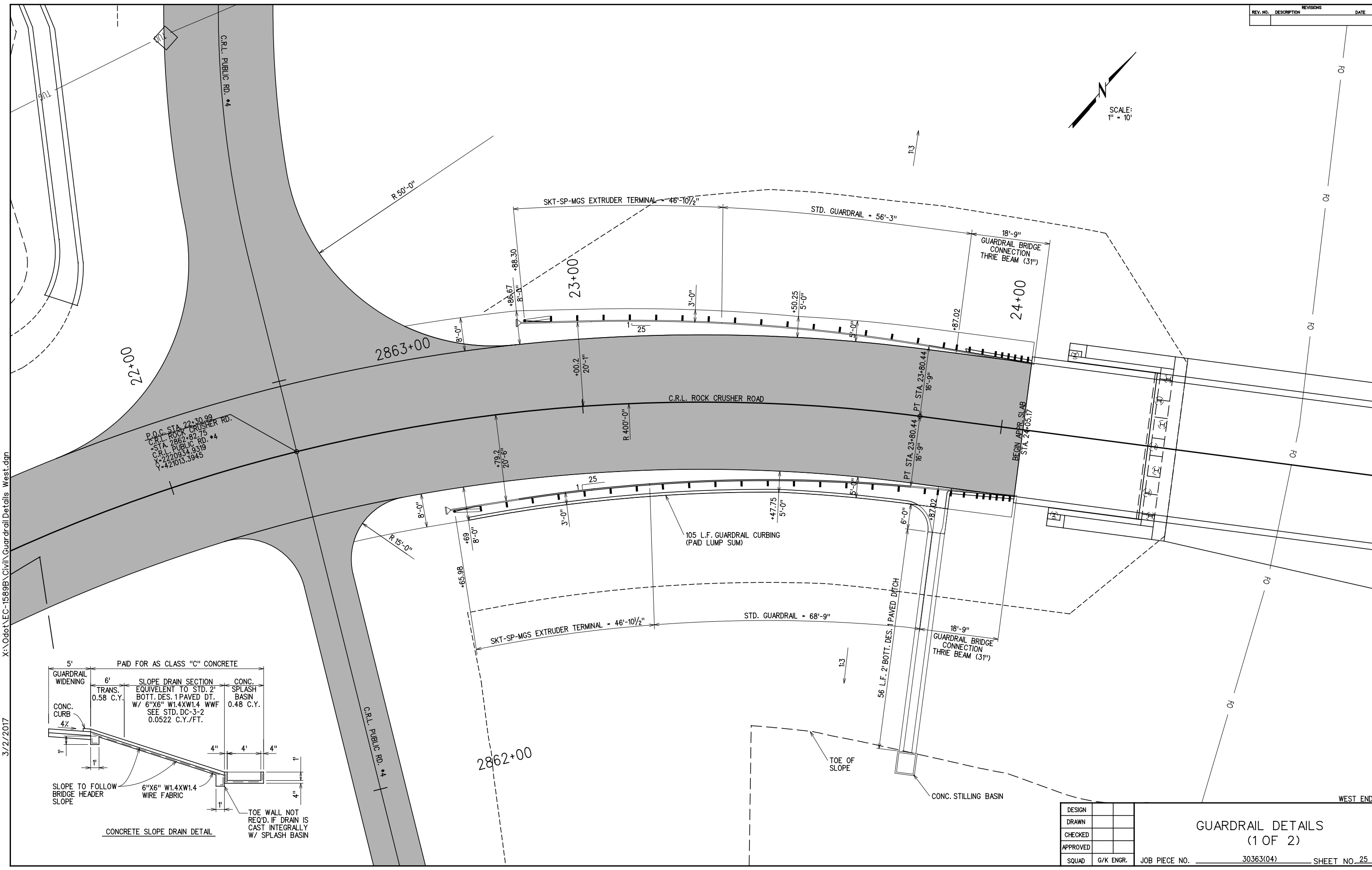
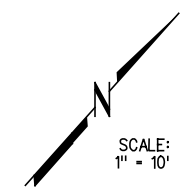
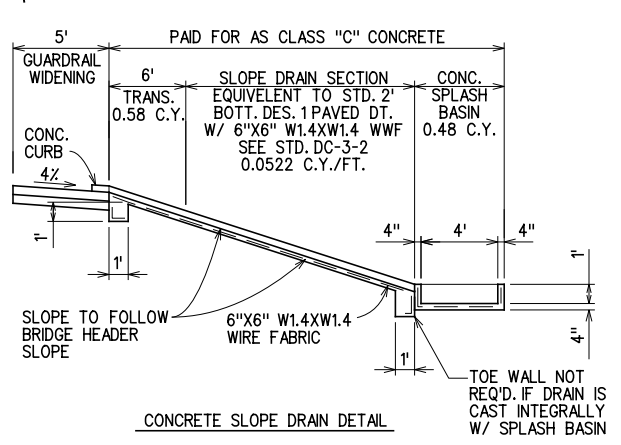


REV. NO.	DESCRIPTION	REVISIONS	DATE



P.O.C. STA 22+30.99
 C.R.L. ROCK CRUSHER RD.
 STA 2862+82.75
 C.R.L. PUBLIC RD. #4
 X=2220934.9319
 Y=421013.3945



DESIGN			
DRAWN			
CHECKED			
APPROVED			
SQUAD	G/K ENGR.	JOB PIECE NO. 30363(04)	SHEET NO. 25

GUARDRAIL DETAILS
(1 OF 2)

3/2/2017 X:\Odot\EC-1589B\Civil\Guardrail Details West.dgn