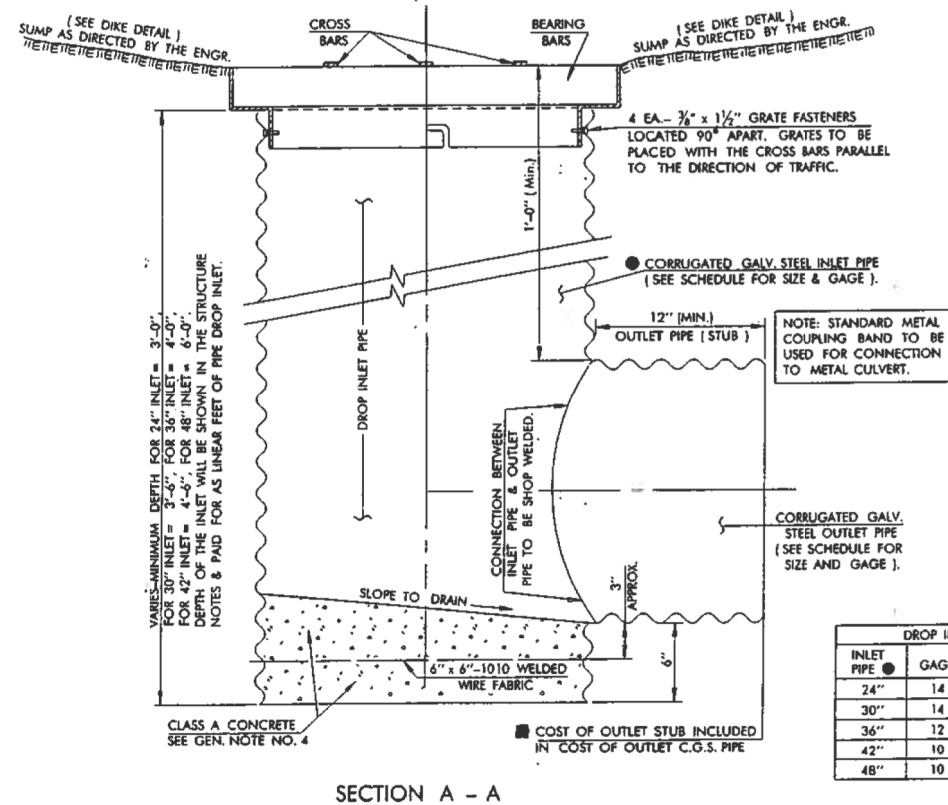
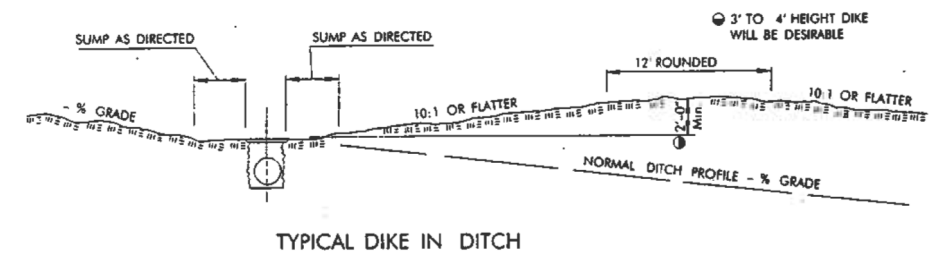
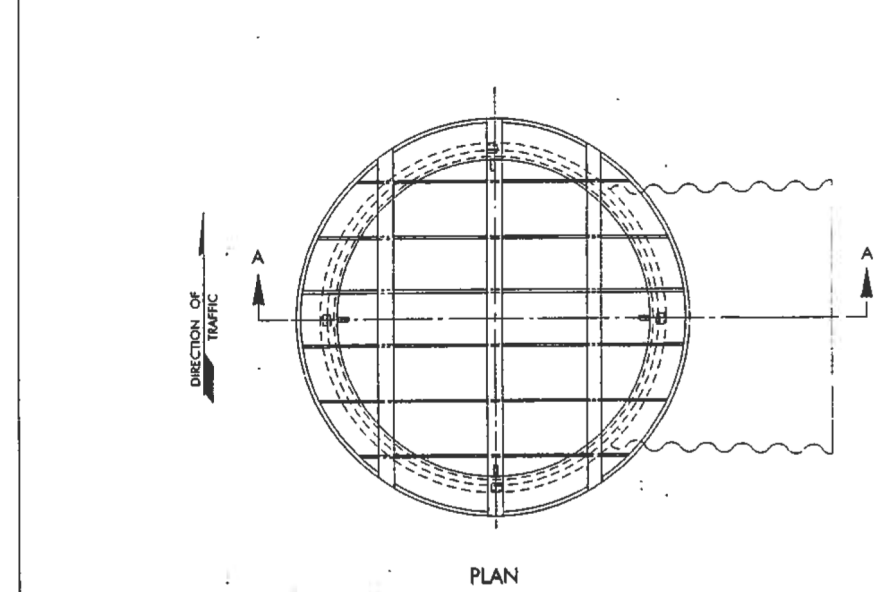
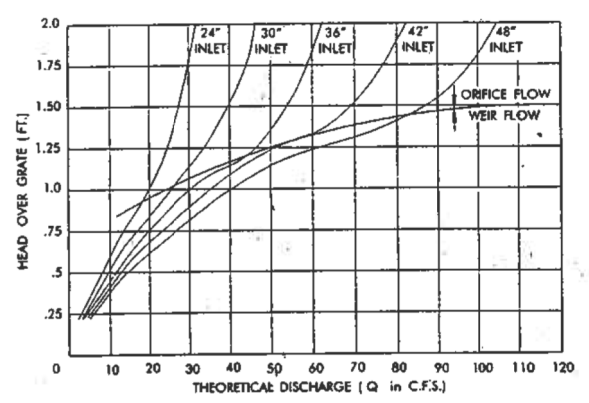
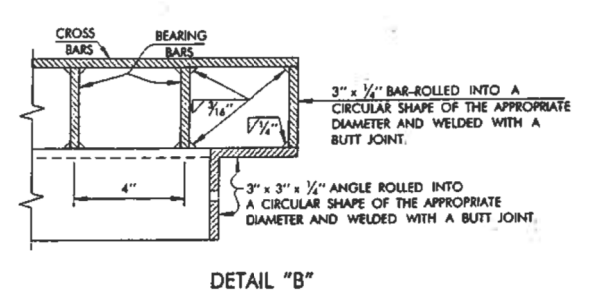
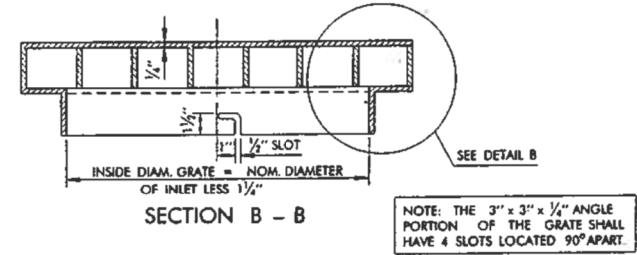
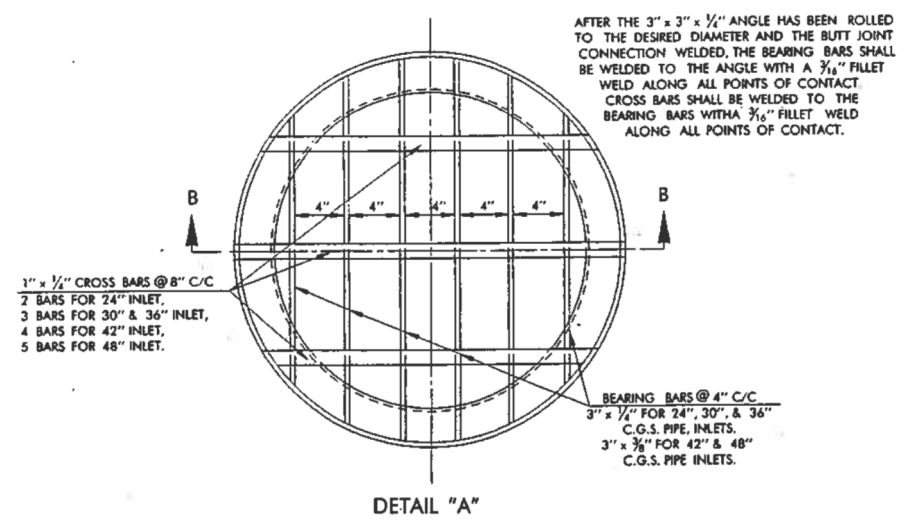


DESCRIPTION	REVISIONS	DATE
RE-ISSUE W/ENGLISH 1999 SPECS.		7/99



INLET PIPE	GAGE	OUTLET PIPE	GAGE
24"	14	18"	16
30"	14	24"	14
36"	12	30"	14
42"	10	36"	12
48"	10	42"	12



HYDRAULIC PERFORMANCE CHART  
TO ALLOW FOR CLOGGING 60% THEORETICAL DISCHARGE IS THE RECOMMENDED FACTOR TO USE IN AREAS SUBJECT TO DEBRIS.

GENERAL NOTES

- FLAT BARS AND STRUCTURAL ANGLE SHALL CONFORM TO AASHTO M-183 SPECIFICATIONS OR OTHER APPROVED STEELS OF EQUAL QUALITY.
- GRATES TO BE SHOP WELDED TO CONFORM TO AWS STRUCTURAL WELDING CODE. FINISHED GRATE TO BE GALVANIZED IN ACCORDANCE WITH AASHTO M-111 SPECIFICATIONS.
- COST OF PLACING CLASS A CONCRETE, WIRE FABRIC, INLET GRATE AND ALL MATERIALS TO BE INCLUDED IN PRICE BID FOR DROP INLET GRATE.
- COST OF SHOP WELDING 12" CONNECTING OUTLET PIPE STUB TO VERTICAL INLET PIPE TO BE INCLUDED IN PRICE BID OF OTHER ITEMS OF WORK.

BASIS OF PAYMENT

ITEM NO.	ITEM	UNIT
611.06(L)	DROP INLET GRATE (▲ " SPDI )	EA.
613.06(D)	● CORRUGATED GALVANIZED STEEL PIPE	L.F.

- ▲ DIMENSION OF INLET GRATE SHALL BE SPECIFIED IN INCHES.
- TYPE AND SIZE OF PIPE, PLACED VERTICALLY, SHALL BE SPECIFIED.

APPROVED BY ROADWAY ENGINEER *C.M. Subashi* DATE 9/1/99

OKLAHOMA DEPT. OF TRANSPORTATION  
ROADWAY STANDARD ( ENGLISH )

STEEL PIPE DROP INLET

1999 SPECIFICATIONS

SPDI-2 OOE  
R-78E

DESIGN	JHU
DRAWN	JHU
CHECKED	DEF
APPROVED	SJG
SQUAD	G/K ENGR.

DRAINAGE DETAILS  
( 4 OF 4 )