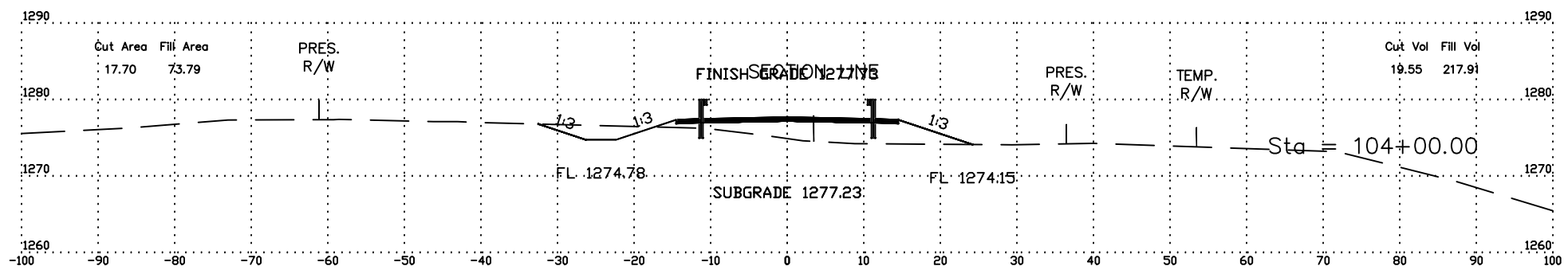


GUARDRAIL @ 104+25.69

GUARDRAIL @ 104+48.25



SCALE:
1" = 10'