

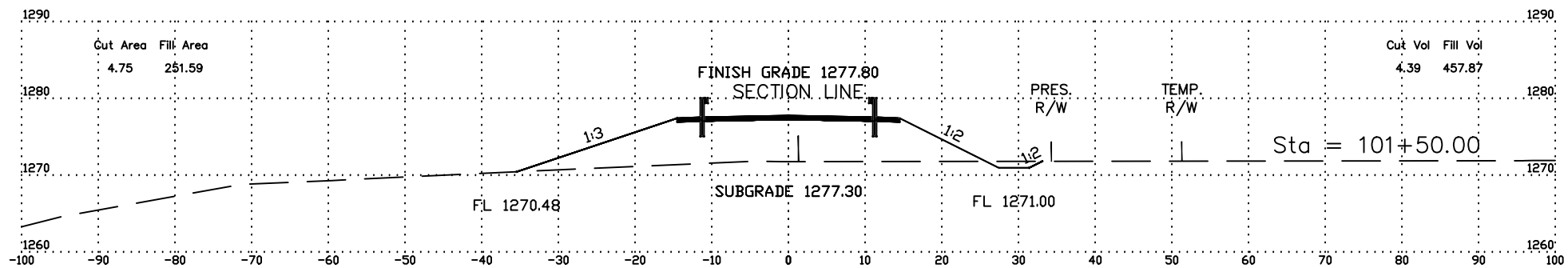
GUARDRAIL @ 103+33.64

GUARDRAIL @ 103+48.25

END BRIDGE @ 103+27.63
 50'-50'-50' PCB SPAN (155.22 FT.)
 CENTERLINE 102+50.00 SKEW 30° R.F.
 BEGIN BRIDGE @ 101+72.39

GUARDRAIL @ 101+51.75

GUARDRAIL @ 101+66.36



SCALE:
1" = 10'