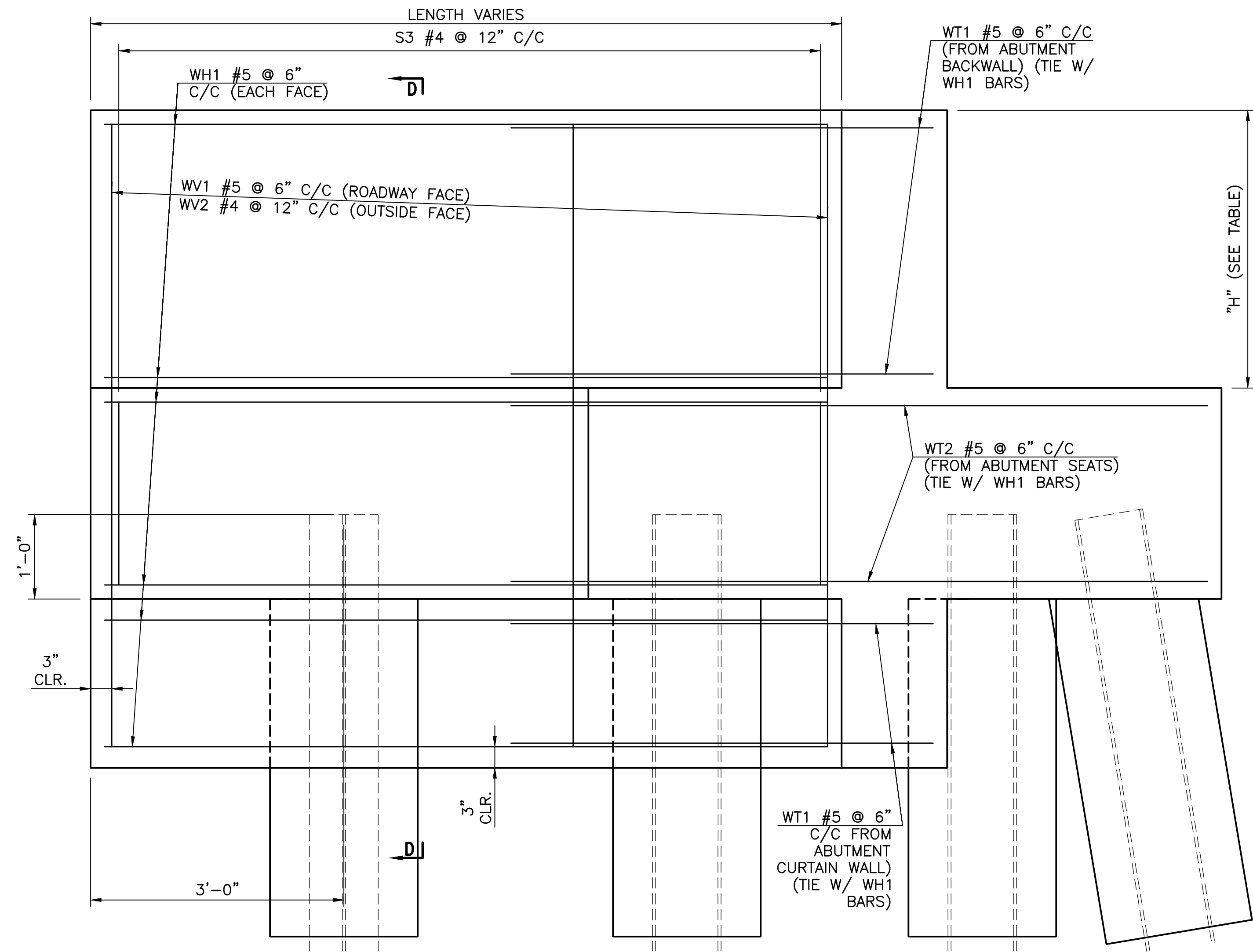
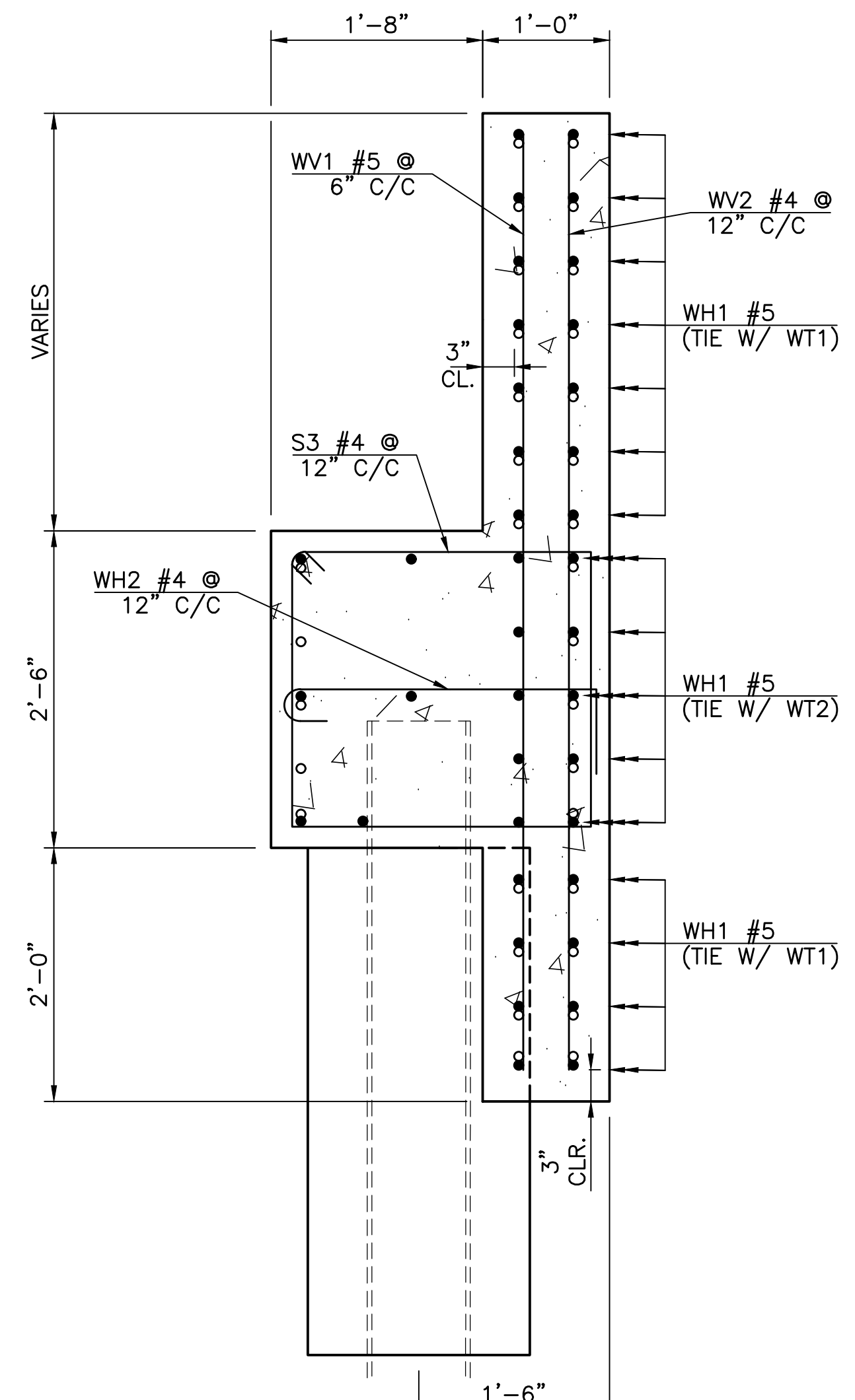


REVISIONS		
REV. NO.	DESCRIPTION	DATE

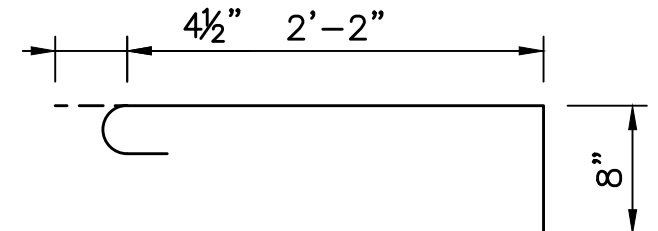


SECTION C-C

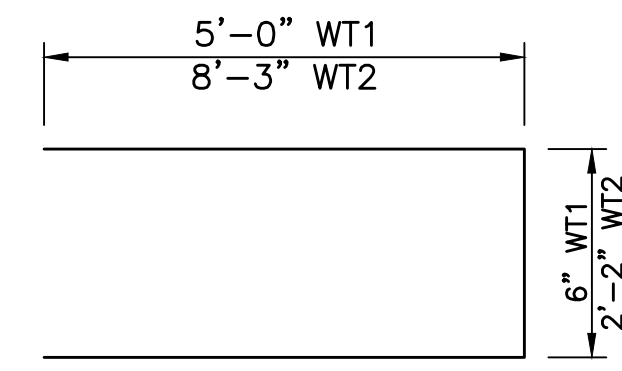


SECTION D-D

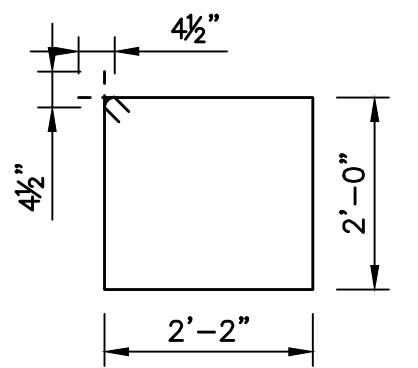
WING WALL	"H" HEIGHT
BRIDGE "A" ABUTMENT 1 NORTH	2'-4 3/16"
BRIDGE "A" ABUTMENT 2 NORTH	2'-3 3/4"
BRIDGE "A" ABUTMENT 1 SOUTH	3'-4 5/16"
BRIDGE "A" ABUTMENT 2 SOUTH	4'-6 1/2"
BRIDGE "B" ABUTMENT 1 NORTH	2'-4 5/16"
BRIDGE "B" ABUTMENT 2 NORTH	2'-3 13/16"



WH2 #4 x 3'-3"



WT1 #5 x 10'-6"
WT2 #5 x 18'-8"



S3 #4 x 9'-1"

WING WALL BAR LIST														
MARK	SIZE	FORM	BRIDGE "A"						BRIDGE "B"					
			ABUTMENT 1 - NORTH		ABUTMENT 1 - SOUTH		ABUTMENT 2 - NORTH		ABUTMENT 2 - SOUTH		ABUTMENT 1 - NORTH		ABUTMENT 2 - NORTH	
			NUMBER	LENGTH	NUMBER	LENGTH	NUMBER	LENGTH	NUMBER	LENGTH	NUMBER	LENGTH	NUMBER	LENGTH
EPOXY COATED														
S3	#4	BNT.	10	9'-1"	11	9'-1"	9	9'-1"	12	9'-1"	9	9'-1"	10	9'-1"
WH1	#5	STR.	34	8'-4"	38	10'-1"	34	8'-1"	42	10'-5"	34	8'-4"	34	8'-1"
WH2	#4	BNT.	10	3'-3"	11	3'-3"	9	3'-3"	12	3'-3"	9	3'-3"	10	3'-3"
WT1	#5	BNT.	9	10'-6"	11	10'-6"	9	10'-6"	13	10'-6"	9	10'-6"	9	10'-6"
WT2	#5	BNT.	5	18'-8"	5	18'-8"	5	18'-8"	5	18'-8"	5	18'-8"	5	18'-8"
WV1	#5	STR.	18	6'-4"	22	7'-4"	18	6'-4"	22	8'-7"	16	6'-4"	17	6'-4"
WV2	#4	STR.	10	6'-4"	12	7'-4"	10	6'-4"	12	8'-7"	10	6'-4"	9	6'-4"

V:\MIS\2012\2005-07 0005 EC-1414 US-64 Tola 3\CD\05\05\05-07-0005-07-0005-07-0005-07-0005.dwg Jan 12, 2017 9:25am wpr/ak

DESIGN	MW	11/16	TULSA COUNTY	US-64 OVER 97TH W. AVE.
DRAWN	SDK	11/16	OKLAHOMA DEPARTMENT OF TRANSPORTATION	
CHECKED	HRA	11/16	DETAILS OF WINGS BRIDGE "A" & "B"	
APPROVED				
WALTER P MOORE				