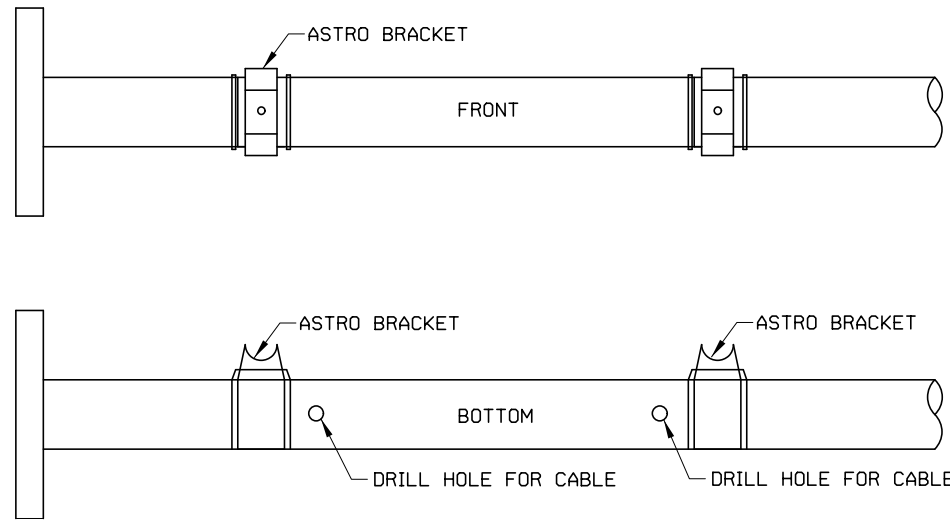


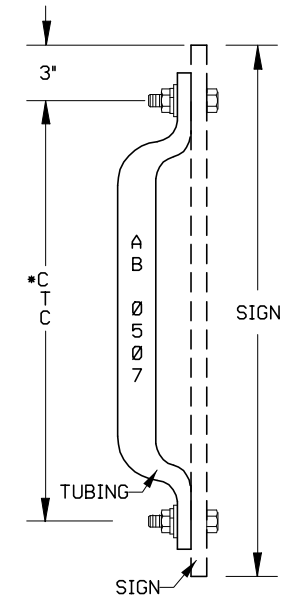
NOTE:
 1. FOR MAST ARM MOUNTED SIGNS OVER 24' IN HEIGHT, 2 STELLAR CLAMPS SHALL BE USED.
 2. ALL MAST ARM SIGNS SHALL BE INSTALLED LEVEL AND PLUMB.

SIGN LENGTH	1'6"-3'0"	3'6"-8'0"	8'6"-10'0"
TUBE LENGTH	34'	94'	118'
SIGN CLAMP QUANTITY	2	4	6

SIGN CLAMP
 PART # AB-0287-04-SS



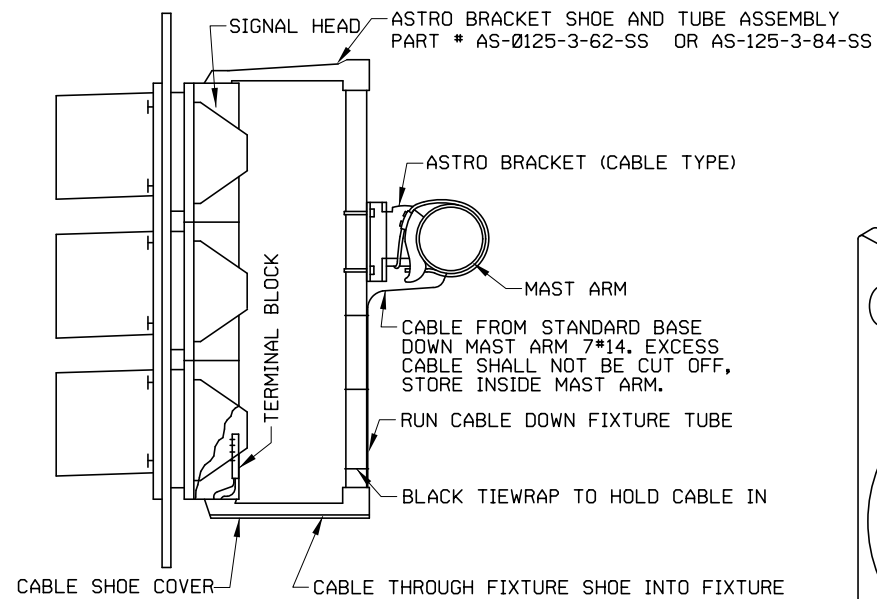
MUST BE 1-1/8" FILED SMOOTH AND PAINTED WITH ZINC OXIDE TO PREVENT RUST



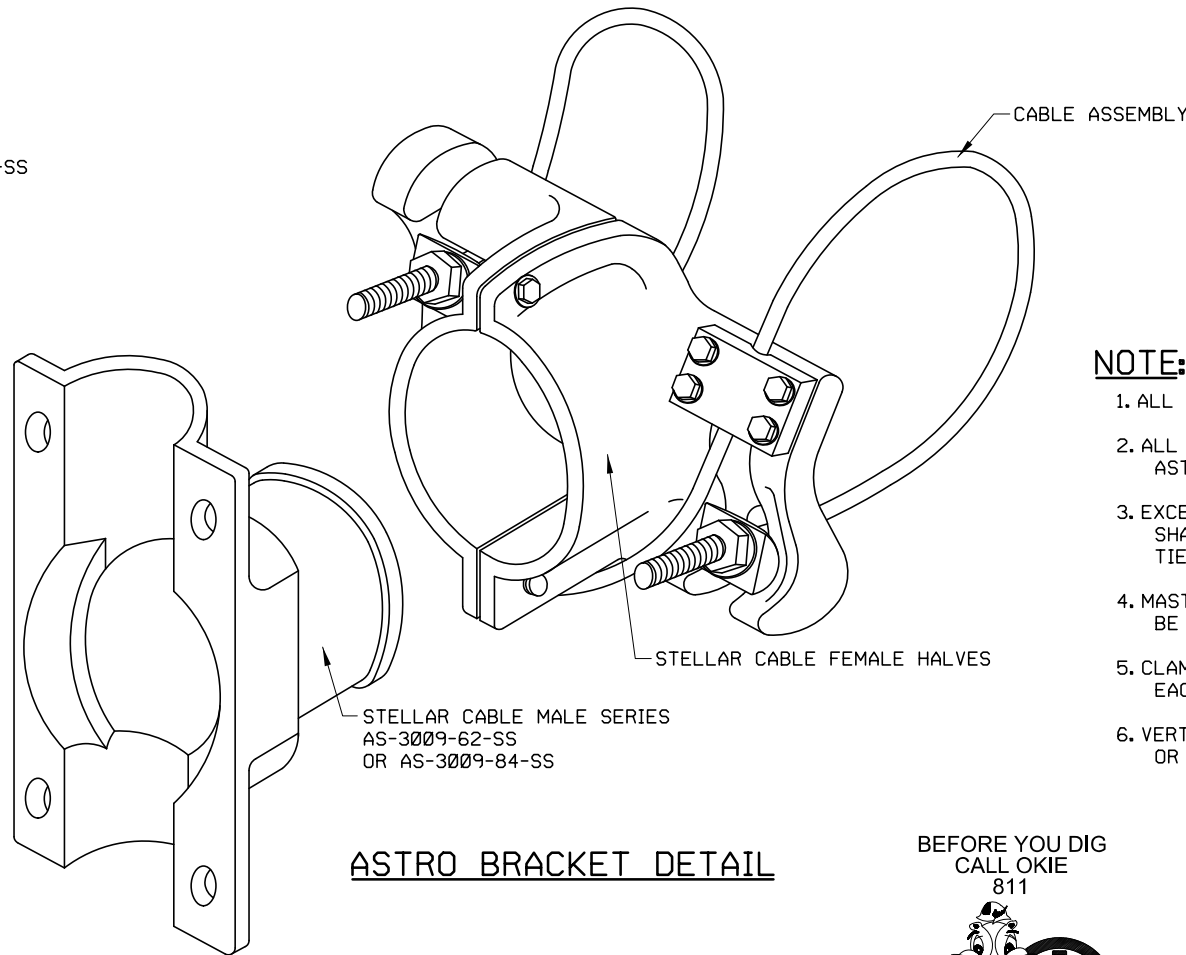
HORIZONTAL TUBE MOUNTED SIGN BRACKET DETAILS

SIGN MOUNT	
TUBE CTC*	SIGN
18'	24'
24'	30'
30'	36'

VERTICAL TUBE MOUNTED SIGN BRACKET DETAIL



SIGNAL HEAD MOUNTING DETAIL



ASTRO BRACKET DETAIL

NOTE:

1. ALL HARDWARE SHALL BE STAINLESS STEEL.
2. ALL MAST ARM BRACKETS SHALL BE ASTRO-BRAC STELLAR SERIES, OR AN APPROVED EQUAL.
3. EXCESS CABLE ASSEMBLY ON ALL MAST ARM BRACKETS SHALL BE COILED UP AND TIED DOWN WITH BLACK TIE WRAPS ON TOP OF MAST ARM.
4. MAST ARM CLAMPS WITH IMPACT DAMAGE WILL BE REPLACED AT CONTRACTORS EXPENSE.
5. CLAMP CABLES SHALL BE INSTALLED PARALLEL TO EACH OTHER AND PERPENDICULAR TO THE MAST ARM.
6. VERTICAL SIGN TUBE MOUNT SHALL BE PELCO #AB-0507 OR APPROVED EQUAL.

BEFORE YOU DIG
 CALL OKIE
 811



JACOBS

10816 EXECUTIVE CENTER DR. STE. 300
 LITTLE ROCK, ARKANSAS 72211

DESIGN	BLV		OKLAHOMA DEPARTMENT OF TRANSPORTATION DESIGN DIVISION	
DRAWN	JAB			
CHECKED	BLV	MAST ARM BRACKETS		STD. 616
APPROVED	BLV			
SQUAD	Jacobs			
			PROJECT NO. 23708(06) SHEET NO. 55	