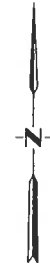
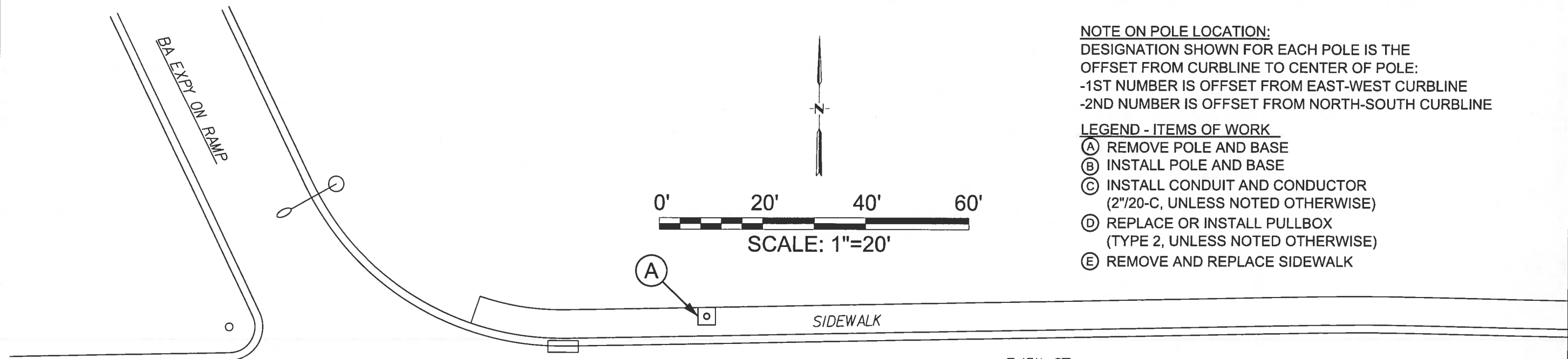


BA EXPY ON RAMP



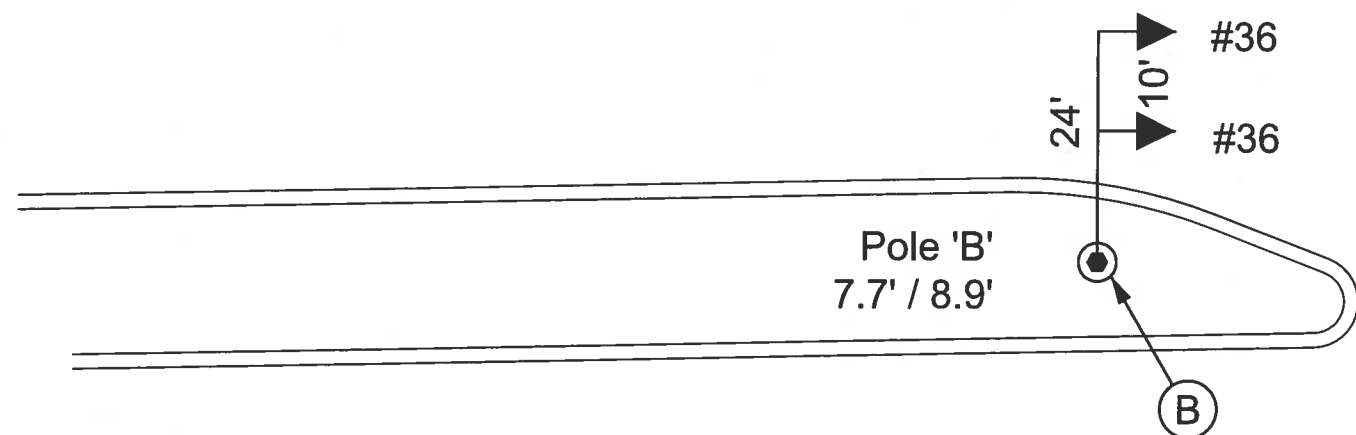
NOTE ON POLE LOCATION:
 DESIGNATION SHOWN FOR EACH POLE IS THE
 OFFSET FROM CURBLINE TO CENTER OF POLE:
 -1ST NUMBER IS OFFSET FROM EAST-WEST CURBLINE
 -2ND NUMBER IS OFFSET FROM NORTH-SOUTH CURBLINE

- LEGEND - ITEMS OF WORK**
- (A) REMOVE POLE AND BASE
 - (B) INSTALL POLE AND BASE
 - (C) INSTALL CONDUIT AND CONDUCTOR
(2"/20-C, UNLESS NOTED OTHERWISE)
 - (D) REPLACE OR INSTALL PULLBOX
(TYPE 2, UNLESS NOTED OTHERWISE)
 - (E) REMOVE AND REPLACE SIDEWALK

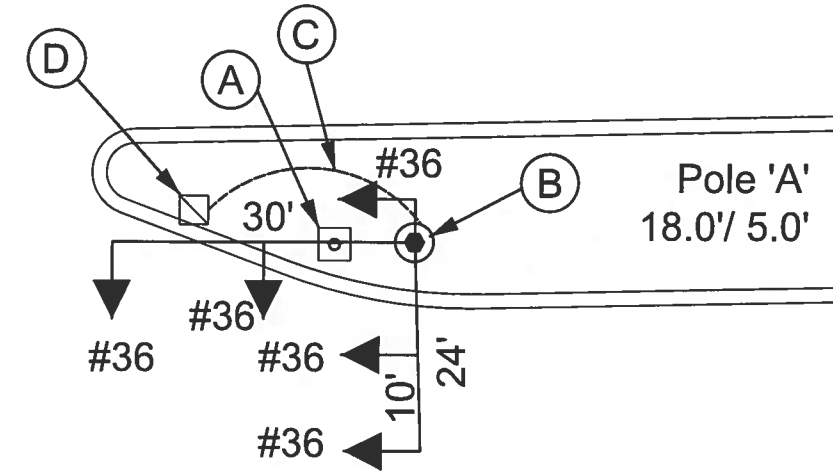


SIDEWALK

E.15th ST.



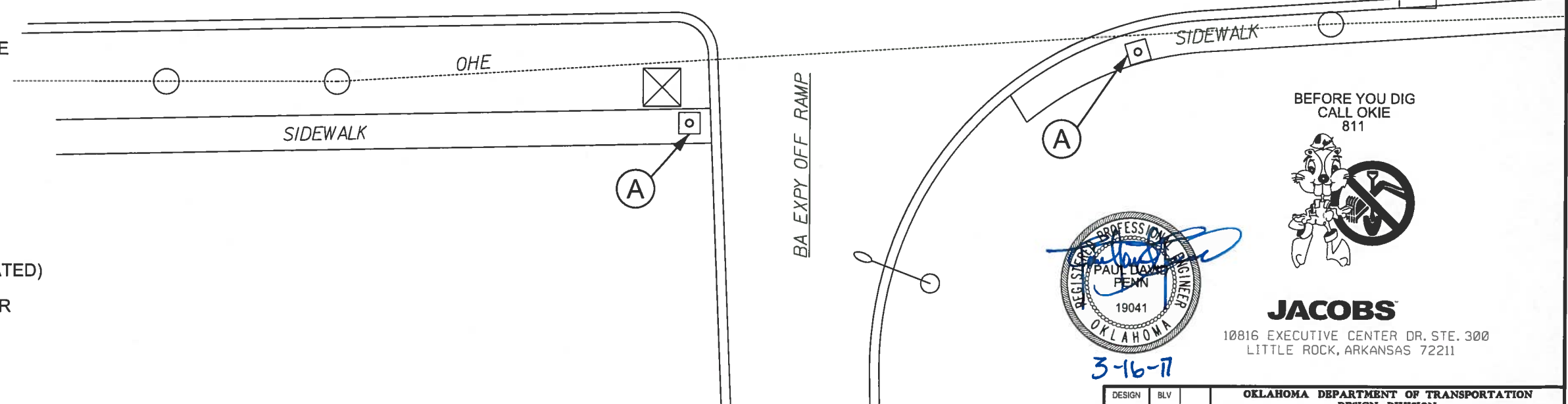
Pole 'B'
7.7' / 8.9'



Pole 'A'
18.0' / 5.0'

LEGEND - SYMBOLS

- EXISTING POLE AND BASE
- PROPOSED POLE AND BASE
- TRAFFIC PULLBOX
- SIGNAL CABINET
- FIRE HYDRANT
- UTILITY POLE
- SIGNAL HEAD (TYPE INDICATED)
- CONDUIT WITH CONDUCTOR
- LUMINAIRE



OHE

SIDEWALK

SIDEWALK

BA EXPY OFF RAMP

BEFORE YOU DIG
CALL OKIE
811



3-16-17

JACOBS

10816 EXECUTIVE CENTER DR. STE. 300
LITTLE ROCK, ARKANSAS 72211

DESIGN	BLV
DRAWN	JAB
CHECKED	BLV
APPROVED	BLV
SQUAD	Jacobs

OKLAHOMA DEPARTMENT OF TRANSPORTATION
DESIGN DIVISION

TULSA TRAFFIC SIGNAL LED UPGRADE PROJECT
REPLACEMENT PLAN
(15th ST. & BA EXPY.)

46

PROJECT NO. 23708(06) SHEET NO. 33