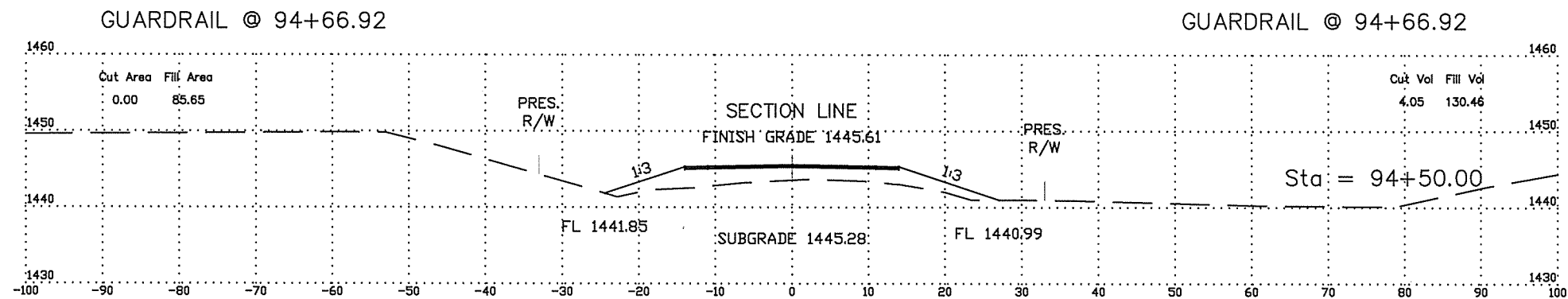
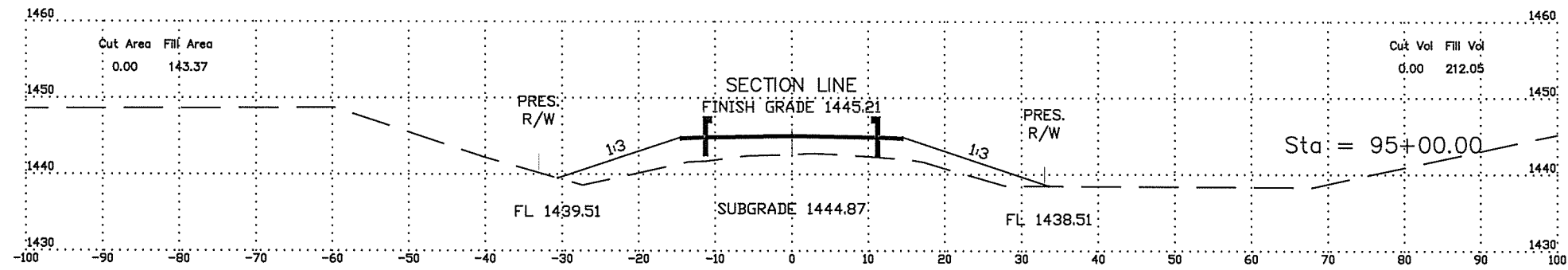
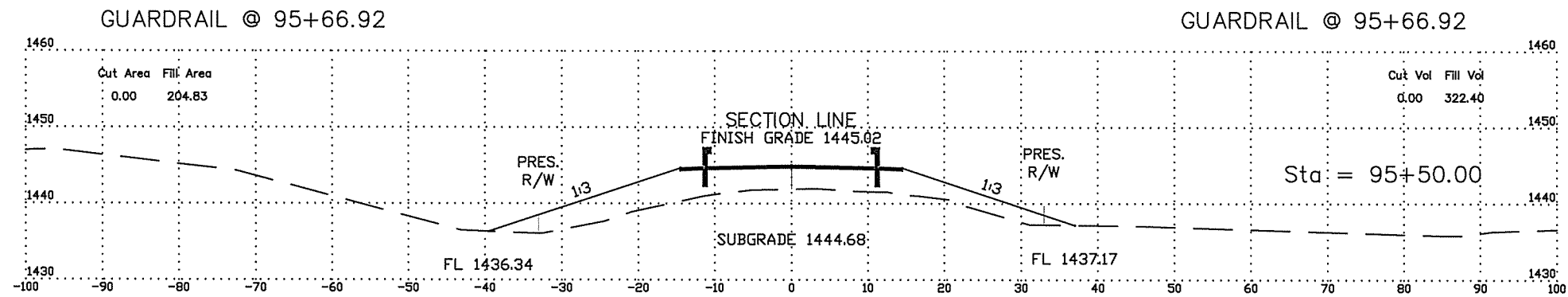


END BRIDGE @ 96+84.09  
100' PCB SPAN (103'-2")  
CENTERLINE 96+32.50 SKEW 0°  
BEGIN BRIDGE @ 95+80.92



SCALE:  
1" = 10'