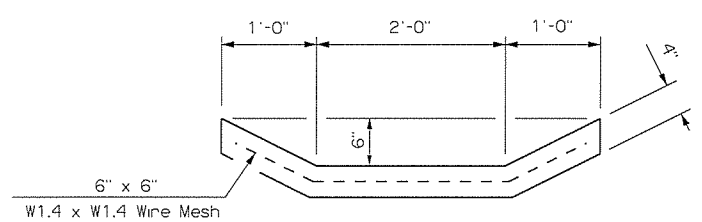
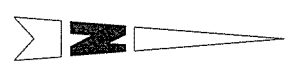
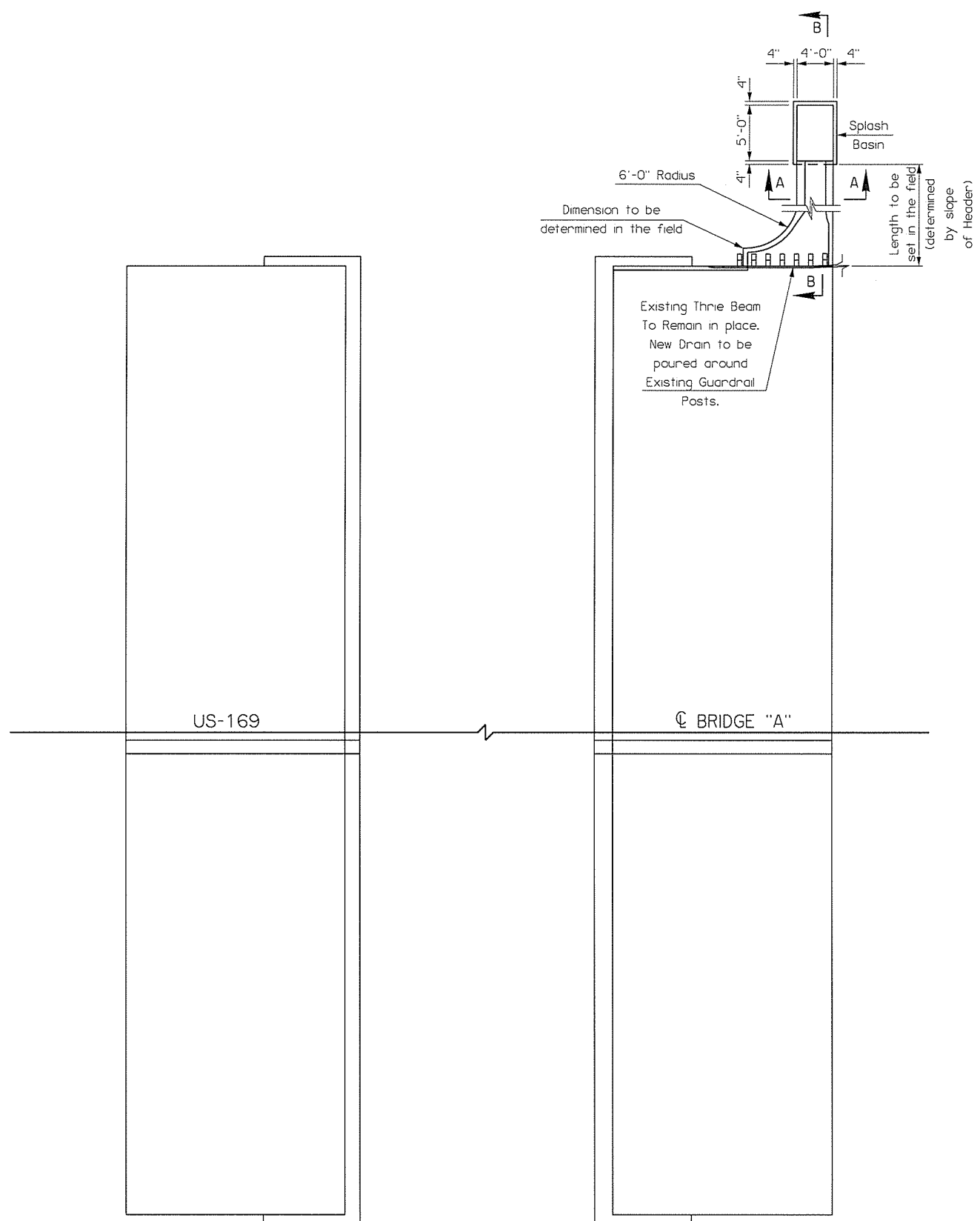
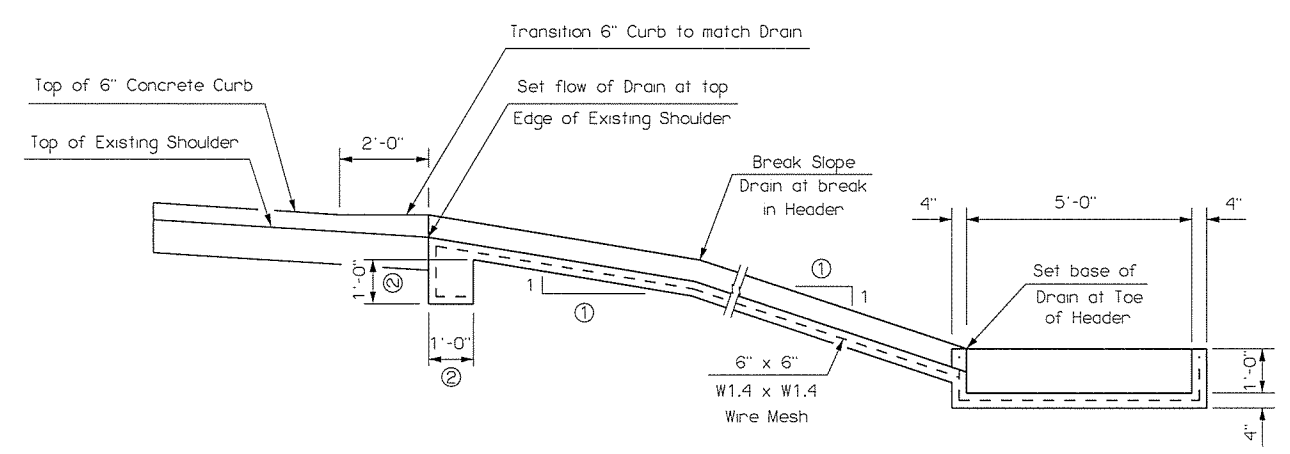


REV. NO.	DESCRIPTION	REVISIONS	DATE



SECTION A-A



SECTION B-B

- ① Slope to match slope of Header
- ② Footing to be poured around Existing Guardrail Post.

US-169 OVER 31ST BRIDGE "A"	TULSA COUNTY	Design	N/A	N/A
DETAILS OF DRAIN AT END OF BRIDGE		Detail	RLA	7/15
		Check	KMS	6/16
STATE OF OKLAHOMA		Squad:	MAYFIELD	
DEPARTMENT OF TRANSPORTATION		Eng.:	ELYAZGI	
JOB PIECE NO.	32565(05)	SHEET NO.		B003