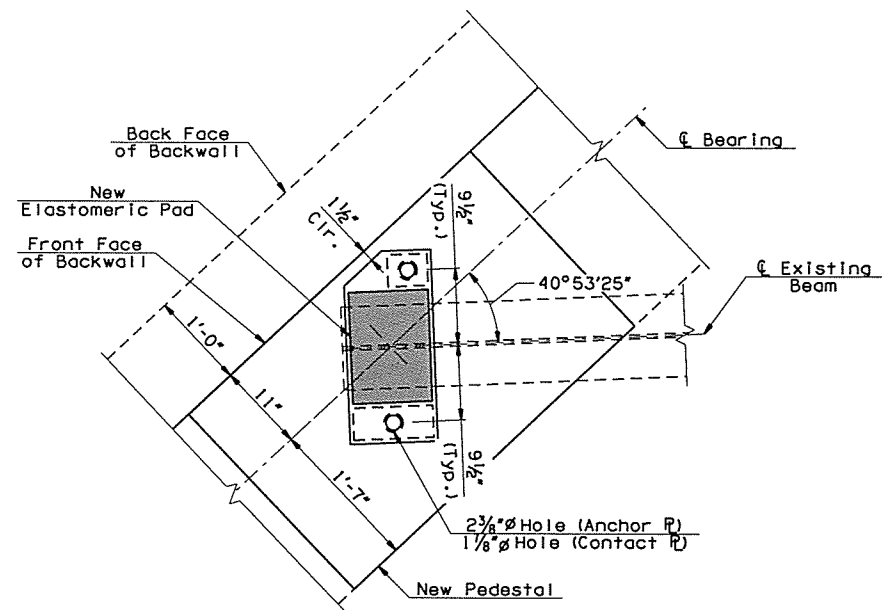
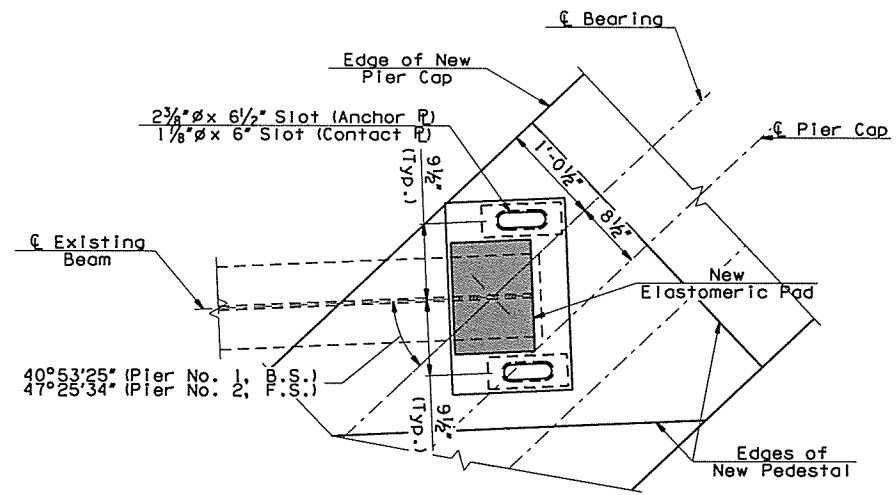


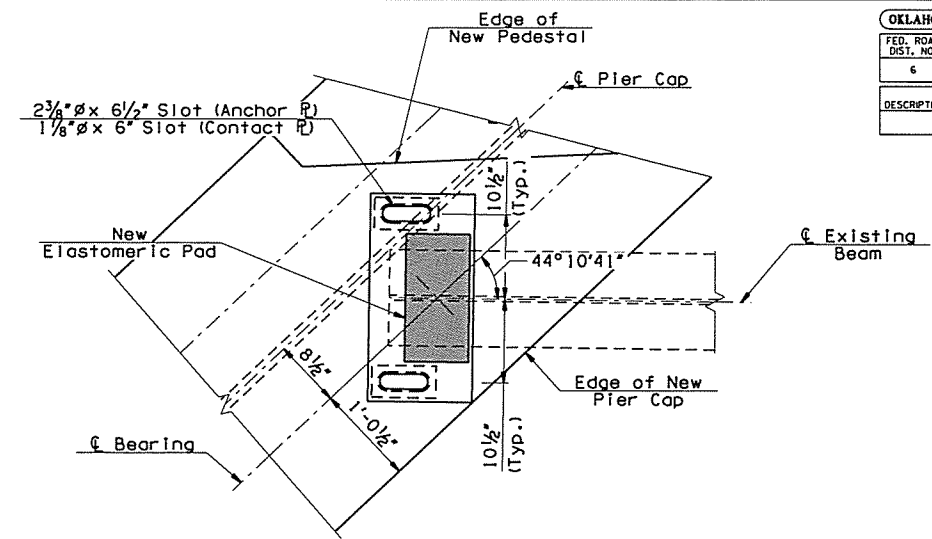
OKLAHOMA DEPARTMENT OF TRANSPORTATION						
FED. ROAD DIST. NO.	STATE	JOB PIECE NO.	FISCAL YEAR	SHEET NO.	TOTAL SHEETS	DATE
6	OKLA.	29775(04)				
DESCRIPTION						REVISIONS



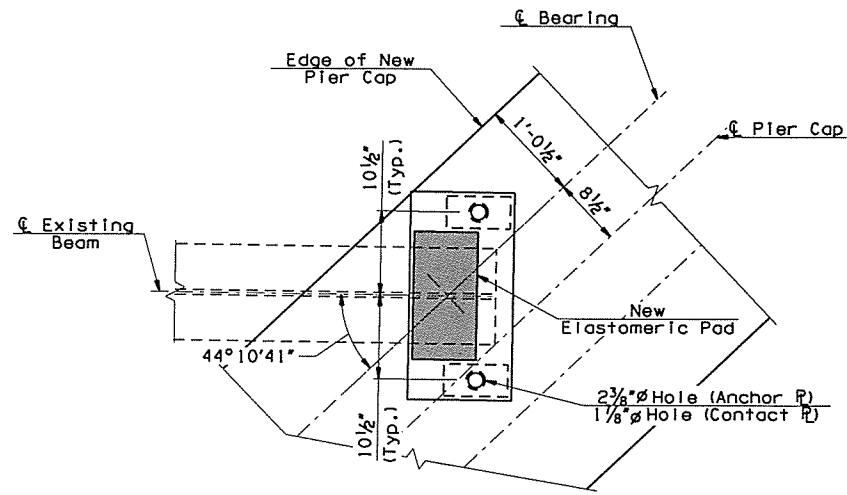
**ABUTMENT NO. 1 - FIXED BEARING PLAN**  
(Type 1-F)



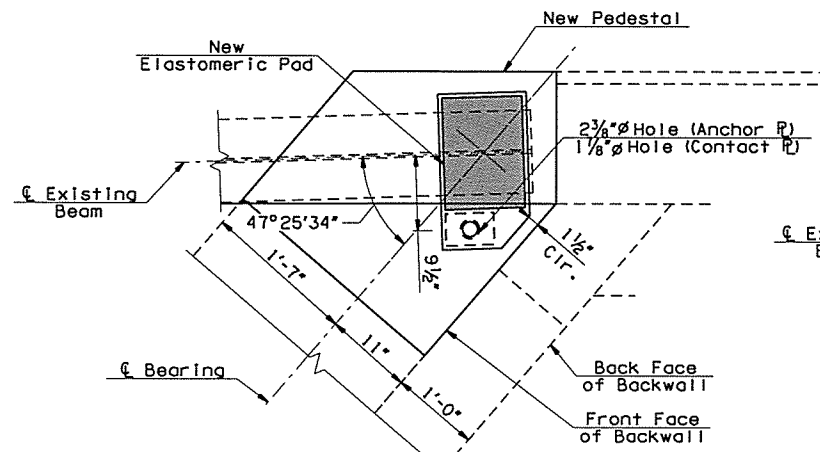
**PIER NO. 1 (B.S.) & PIER NO. 2 (F.S.) - EXPANSION BEARING PLAN**  
(Type 1-E)



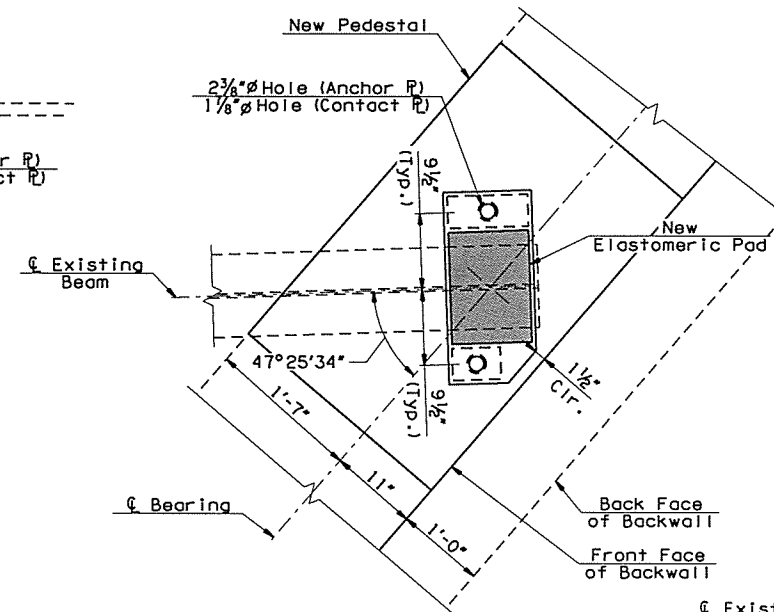
**PIER NO. 1 (F.S.) - EXPANSION BEARING PLAN**  
(Type 2-E)



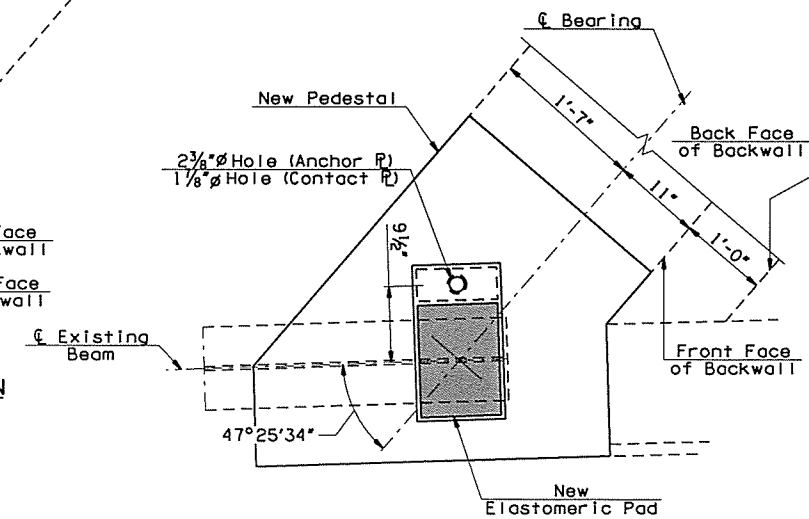
**PIER NO. 2 (B.S.) - FIXED BEARING PLAN**  
(Type 2-F)



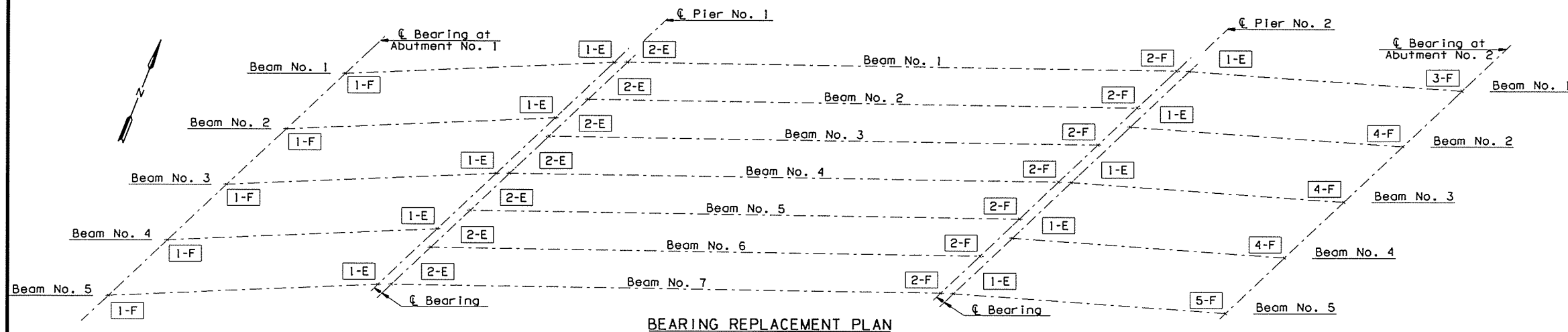
**ABUTMENT NO. 2 - FIXED BEARING PLAN**  
(Type 3-F)



**ABUTMENT NO. 2 - FIXED BEARING PLAN**  
(Type 4-F)



**ABUTMENT NO. 2 - FIXED BEARING PLAN**  
(Type 5-F)



**BEARING REPLACEMENT PLAN**

I-44 OVER I-244 NB BRIDGE "A"		TULSA COUNTY	DESIGN	JTR	5/16
			DETAIL	JTR	5/16
			CHECK	BRT	5/16
			<b>GARVER</b>		
STATE OF OKLAHOMA	DEPARTMENT OF TRANSPORTATION		JOB PIECE NO. 29775(04) SHEET NO. 37		