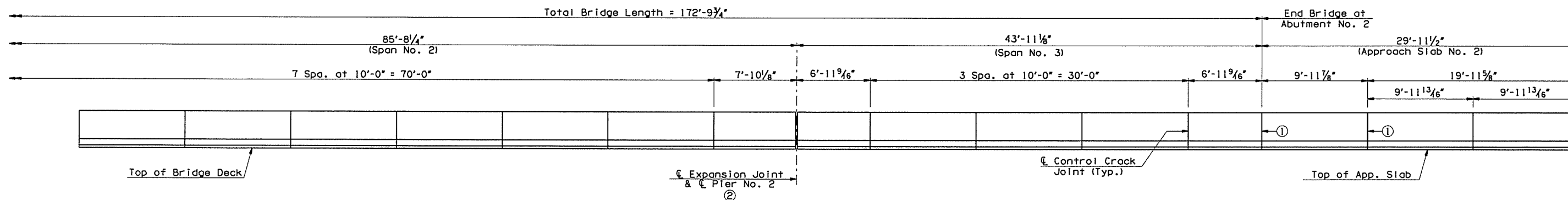
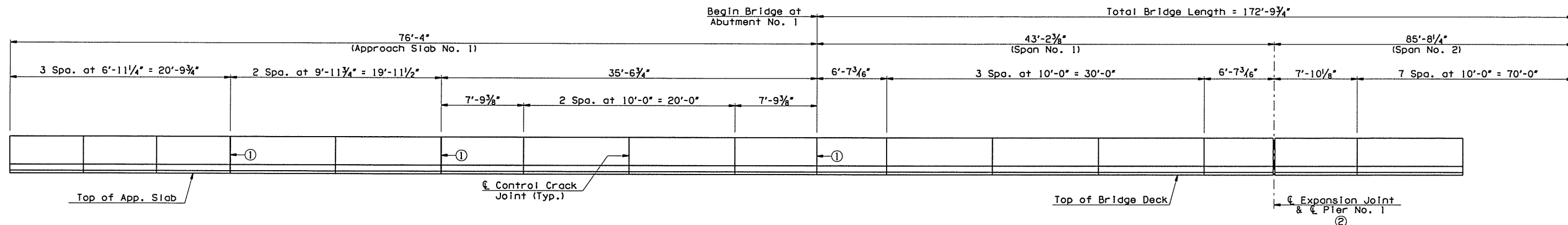
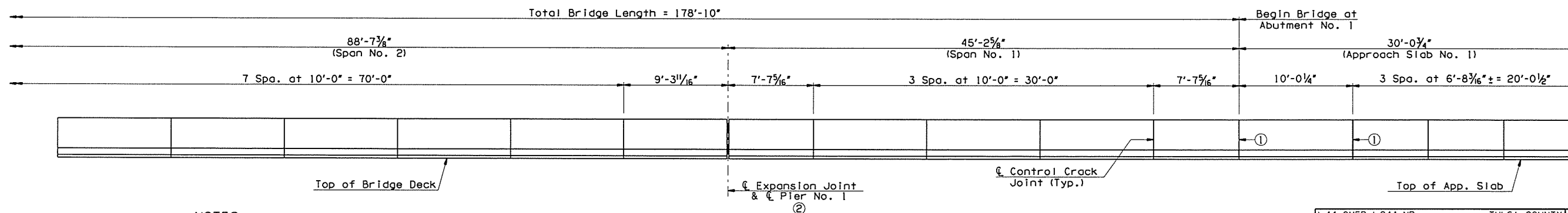
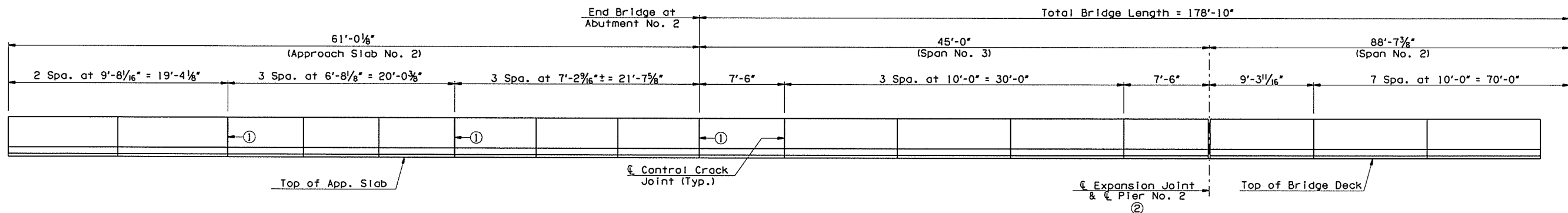


OKLAHOMA DEPARTMENT OF TRANSPORTATION						
FED. ROAD DIST. NO.	STATE	JOB PIECE NO.	FISCAL YEAR	SHEET NO.	TOTAL SHEETS	DATE
6	OKLA.	29775(04)				
REVISIONS						DATE
DESCRIPTION						



NORTH 42" F-SHAPED PARAPET LAYOUT - WITHOUT OPENINGS



NOTES:

For details showing the reinforcement layout and bar bend details for 42" F-Shaped Traffic Rails, see Std. FSHP-42-2-00E

Provide blockouts for Sealed Expansion Joints.

All dimensions shown are measured along the inside face of the traffic rail.

① Construction Joint. Horizontal Reinforcing shall end 2" either side of this joint.

② Expansion Joint Opening to match Deck Opening.

SOUTH 42" F-SHAPED PARAPET LAYOUT - WITHOUT OPENINGS

I-44 OVER I-244 NB		TULSA COUNTY		DESIGN	JTR	4/15
BRIDGE "A"				DETAIL	SJL	5/16
SUPERSTRUCTURE DETAILS (SHEET 7 OF 7)				CHECK	BRT	5/16
				GARVER		
STATE OF OKLAHOMA	DEPARTMENT OF TRANSPORTATION			JOB PIECE NO. 29775(04) SHEET NO. 35		