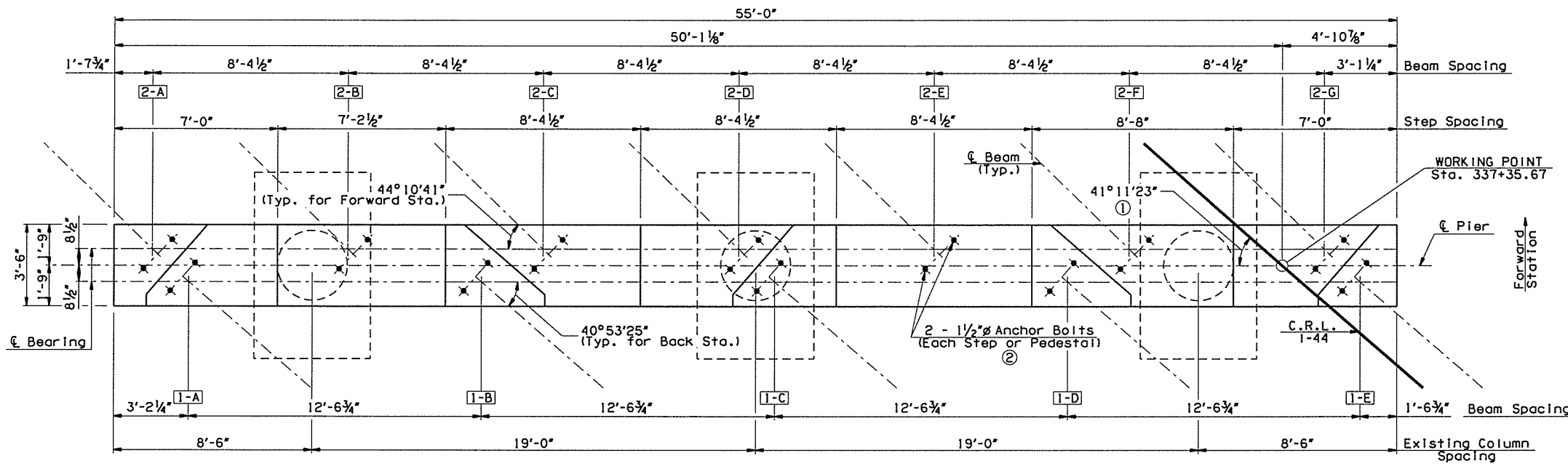
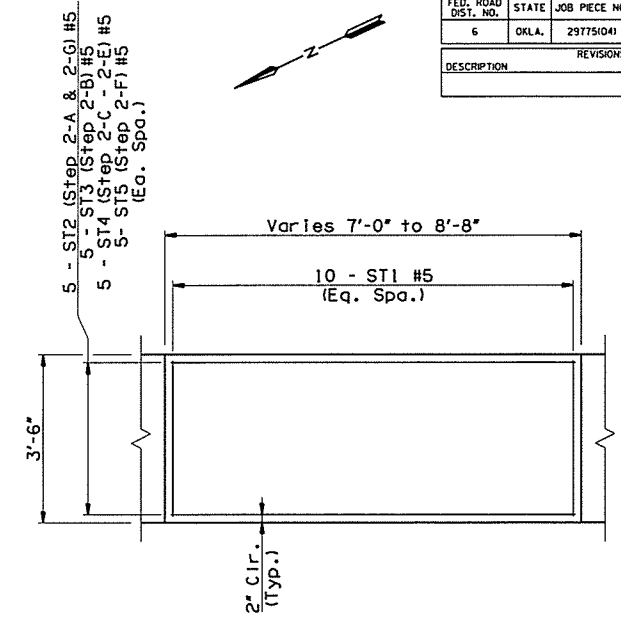


All information included in these plans is based on the existing As-Surveyed data. It is solely the Contractor's responsibility to accurately verify this information prior to any demolition or construction. For additional information, see the General Notes "VERIFICATION OF EXISTING CONDITIONS", "SURVEYING AND CONSTRUCTION STAKING", & ESTABLISHMENT OF VERTICAL GEOMETRY" on Sheet No. 3.

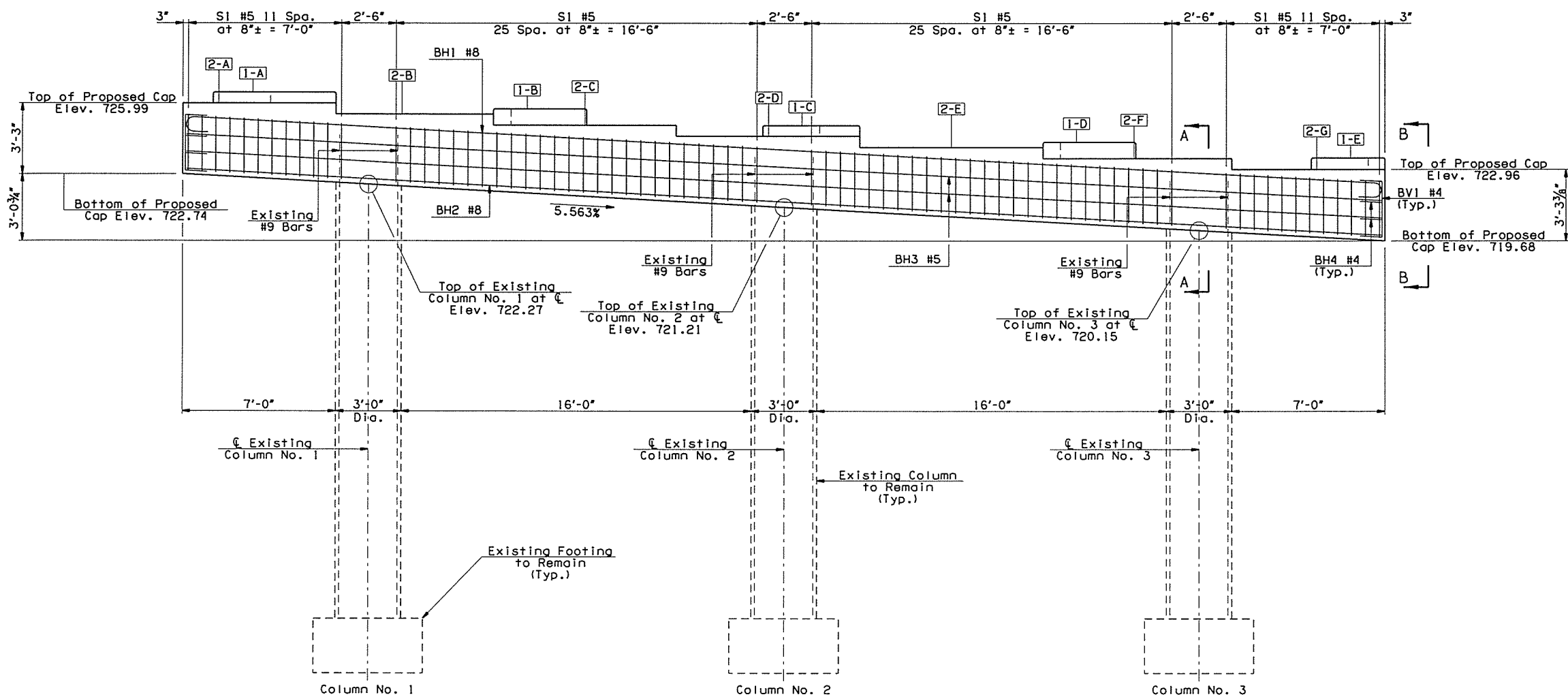
OKLAHOMA DEPARTMENT OF TRANSPORTATION					
FED. ROAD DIST. NO.	STATE	JOB PIECE NO.	FISCAL YEAR	SHEET NO.	TOTAL SHEETS
6	OKLA.	29775(04)			
DESCRIPTION				REVISIONS	DATE



PLAN



STEP REINFORCING DETAIL



ELEVATION
(Looking Forward Station)
PIER NO. 1 CONSTRUCTION

PEDESTAL/STEP ELEVATIONS	
ELEV. 1-A	726.53
ELEV. 1-B	725.78
ELEV. 1-C	725.02
ELEV. 1-D	724.26
ELEV. 1-E	723.54
ELEV. 2-A	725.99
ELEV. 2-B	725.49
ELEV. 2-C	724.98
ELEV. 2-D	724.48
ELEV. 2-E	723.97
ELEV. 2-F	723.47
ELEV. 2-G	722.96

- ① Measured between \bar{C} Pier and Tangent Line at Working Point.
- ② Anchor Bolts for New Pier Cap shall be Cast-in-Place. See Sheet Nos. 26, 37 & 38 for additional details.

NOTES:
 See Sheet No. 21 for Pier No. 2 Construction details.
 See Sheet No. 22 for Pedestal Reinforcement details.
 See Sheet No. 24 for Sections A-A & B-B, and Concrete Treatment details.
 See Sheet No. 25 for bar lists, bar bends, and Summary of Quantities.

I-44 OVER I-244 NB BRIDGE "A"		TULSA COUNTY	DESIGN	JGS	5/16
			DETAIL	JGS	5/16
			CHECK	BRT	5/16
			GARVER		
STATE OF OKLAHOMA	DEPARTMENT OF TRANSPORTATION				
	JOB PIECE NO. 29775(04)	SHEET NO. 20			