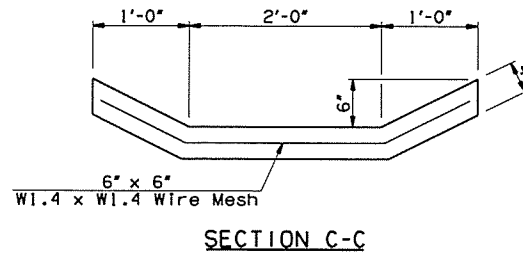
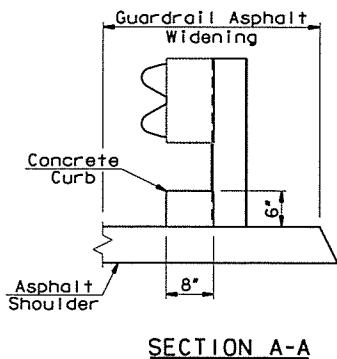
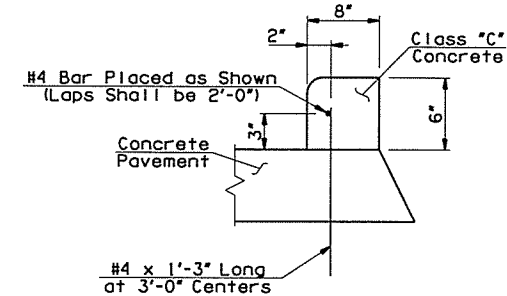
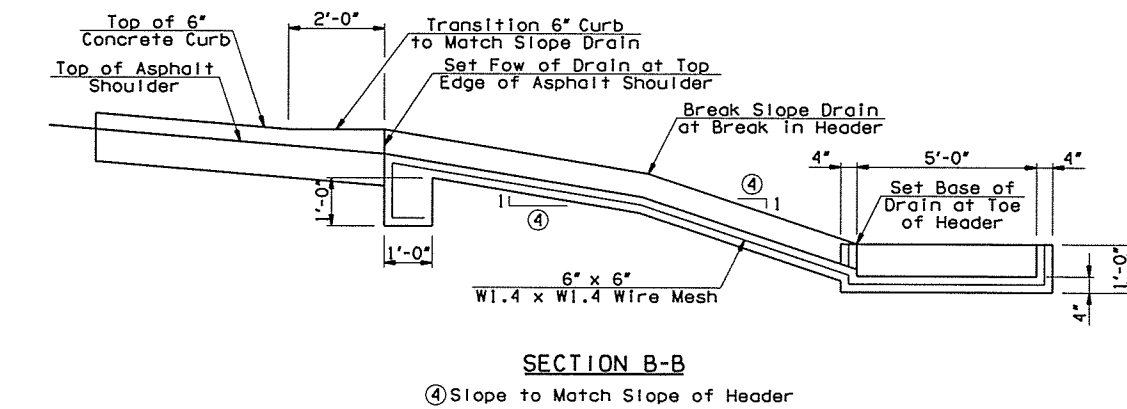
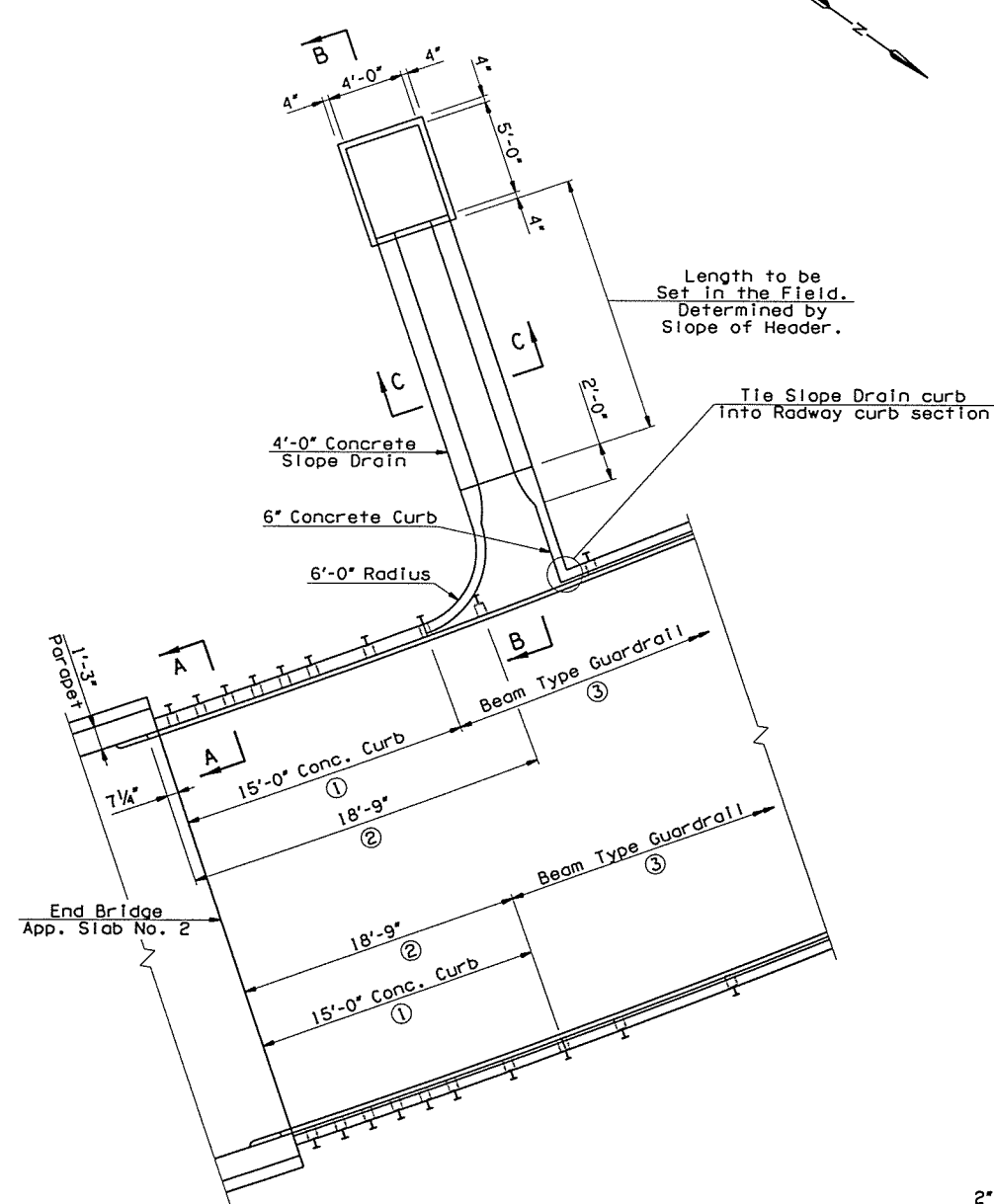
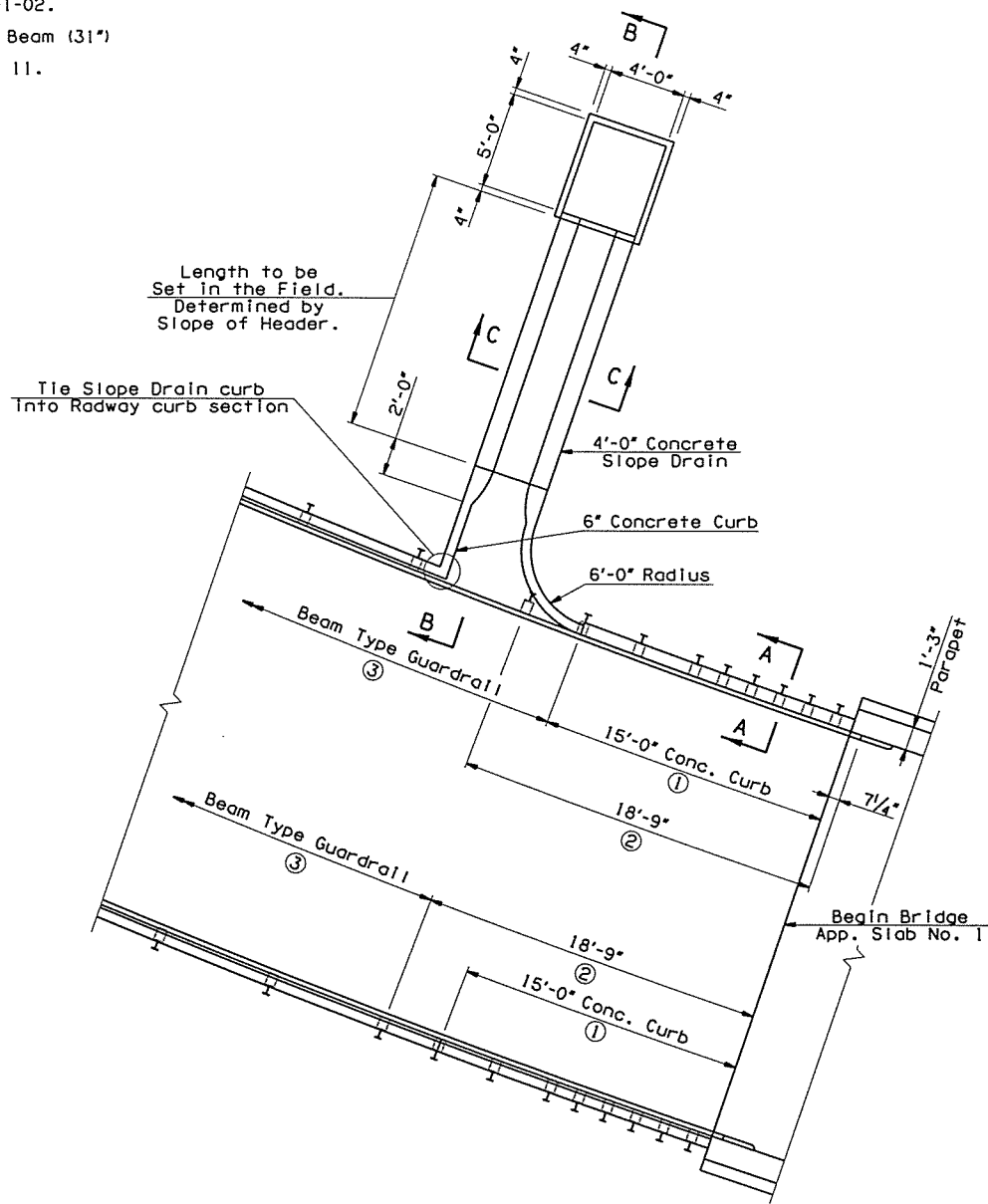


FED. ROAD DIST. NO.	STATE	JOB PIECE NO.	FISCAL YEAR	SHEET NO.	TOTAL SHEETS
6	OKLA.	29773(04)			
DESCRIPTION					DATE

- ① 8" Concrete Curb. See Standard THRI-1-02.
- ② Guardrail Bridge Connection - Three Beam (31")
- ③ For Guardrail limits, see Sheet No. 11.



GILCREASE EXPRESSWAY RAMP OVER COUNTY ROAD & BNSF RR BRIDGE "A"	TULSA COUNTY	DESIGN	JTR	4/16
		DETAIL	SJL	4/16
		CHECK	BRT	5/16
DRAIN DETAILS AT ENDS OF BRIDGE				GARVER

STATE OF OKLAHOMA	DEPARTMENT OF TRANSPORTATION
JOB PIECE NO. 29773(04)	SHEET NO. 24