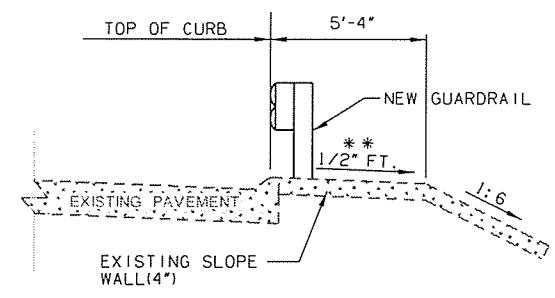


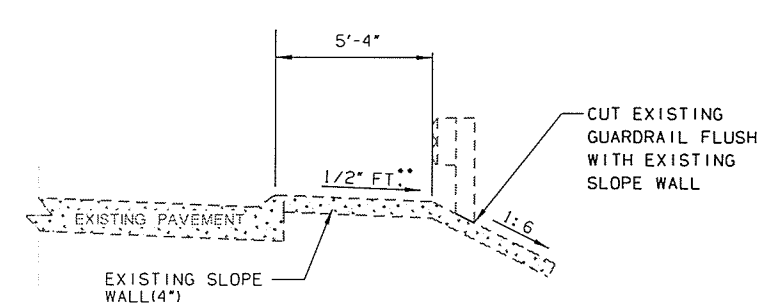
GUARDRAIL TYPICAL 1
NOT TO SCALE

*MATCH EXISTING SLOPE

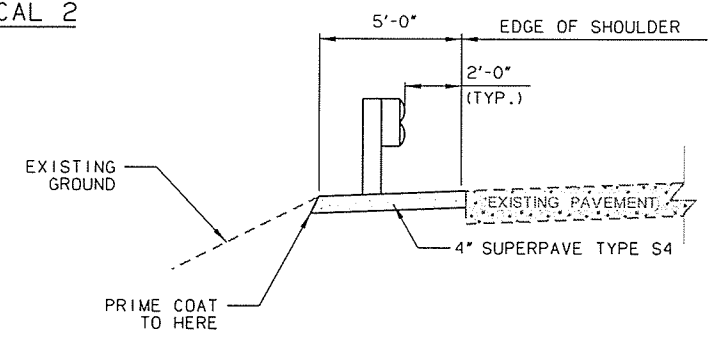


GUARDRAIL TYPICAL 2
NOT TO SCALE

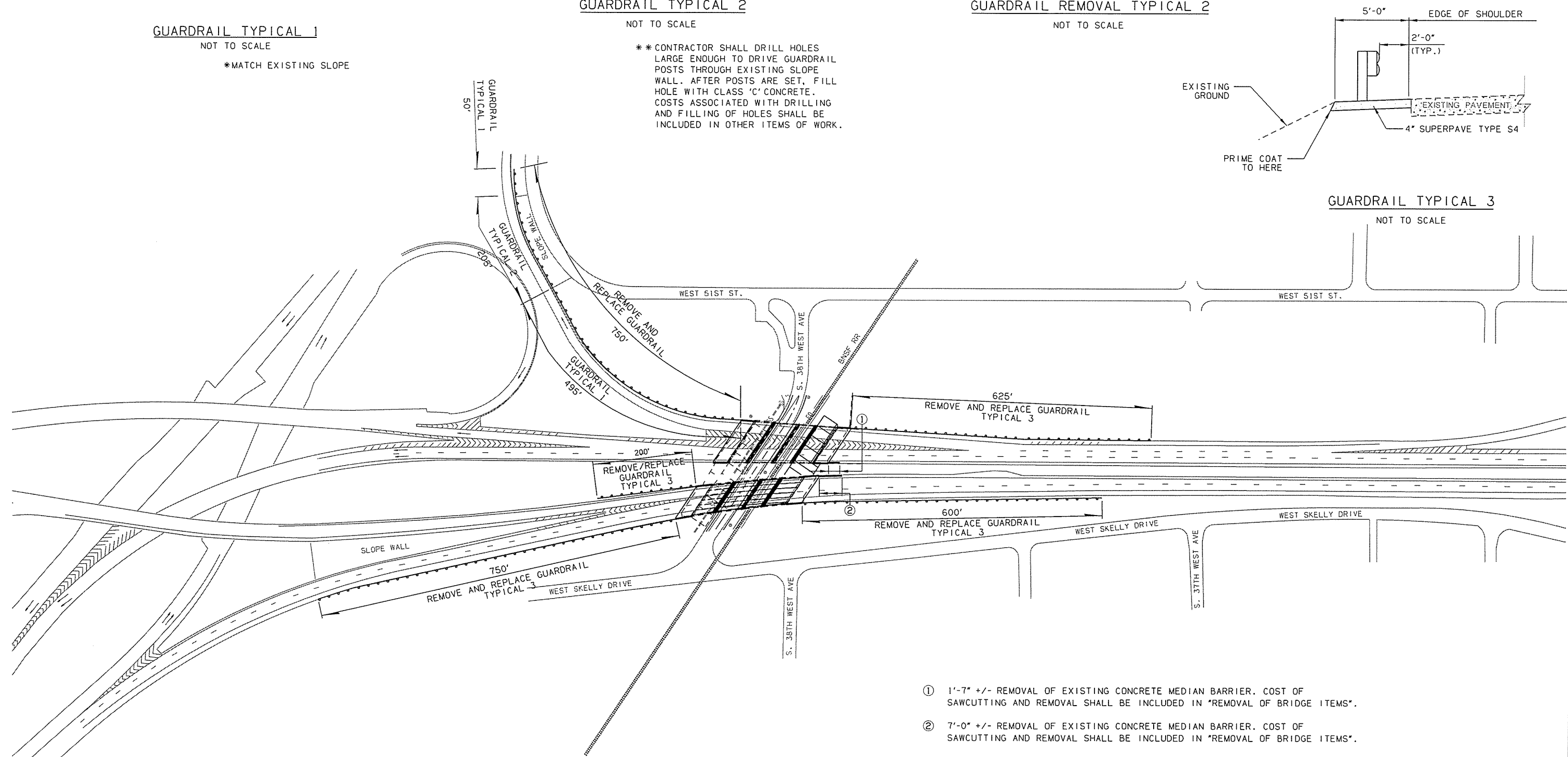
** CONTRACTOR SHALL DRILL HOLES LARGE ENOUGH TO DRIVE GUARDRAIL POSTS THROUGH EXISTING SLOPE WALL. AFTER POSTS ARE SET, FILL HOLE WITH CLASS 'C' CONCRETE. COSTS ASSOCIATED WITH DRILLING AND FILLING OF HOLES SHALL BE INCLUDED IN OTHER ITEMS OF WORK.



GUARDRAIL REMOVAL TYPICAL 2
NOT TO SCALE



GUARDRAIL TYPICAL 3
NOT TO SCALE



- ① 1'-7" +/- REMOVAL OF EXISTING CONCRETE MEDIAN BARRIER. COST OF SAWCUTTING AND REMOVAL SHALL BE INCLUDED IN "REMOVAL OF BRIDGE ITEMS".
- ② 7'-0" +/- REMOVAL OF EXISTING CONCRETE MEDIAN BARRIER. COST OF SAWCUTTING AND REMOVAL SHALL BE INCLUDED IN "REMOVAL OF BRIDGE ITEMS".

DESIGN	MOF	4/16	TULSA COUNTY
DRAWN			
CHECKED	KMM	4/16	
APPROVED			
SQUAD	GARVER		

STATE JOB NO. 28872(04) SHEET NO. 47