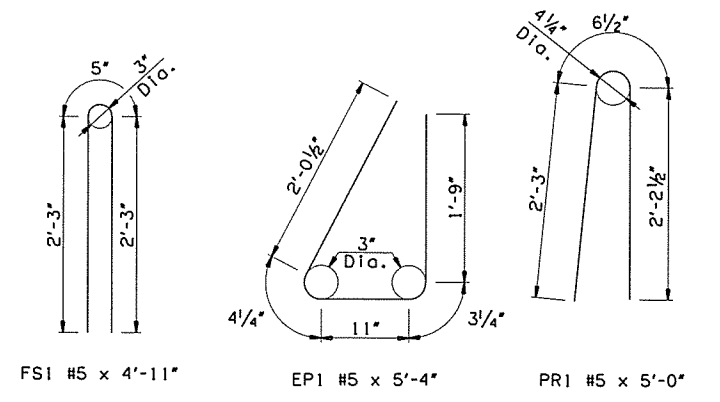
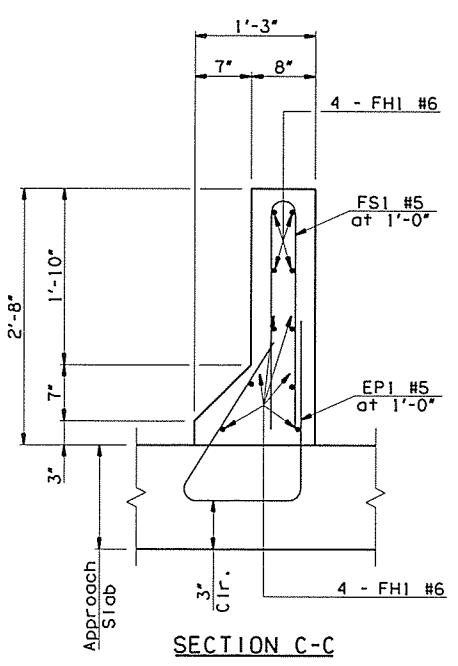
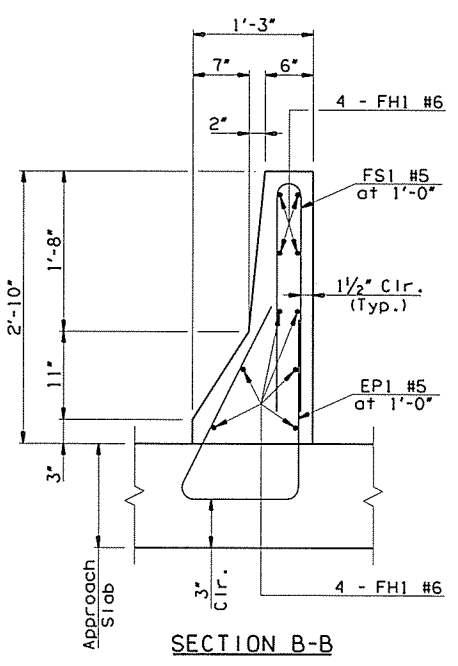
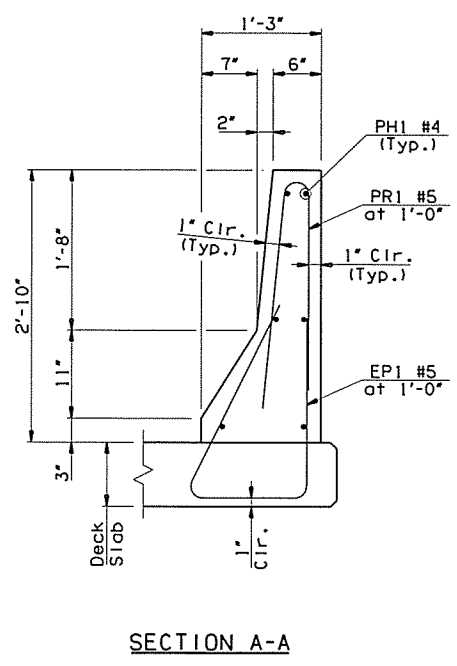
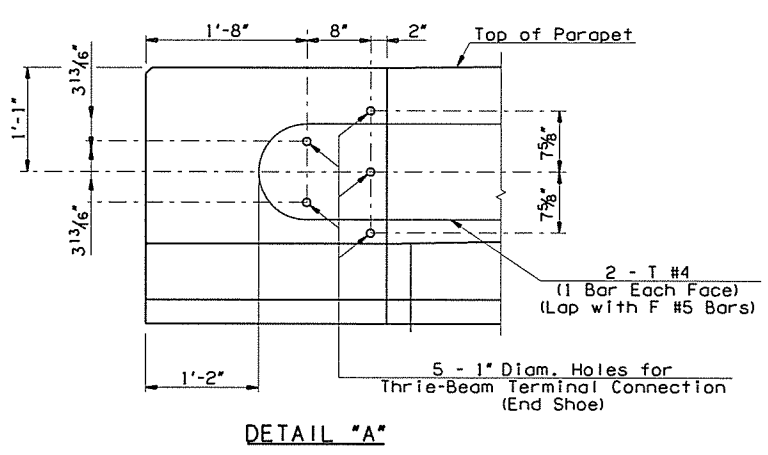
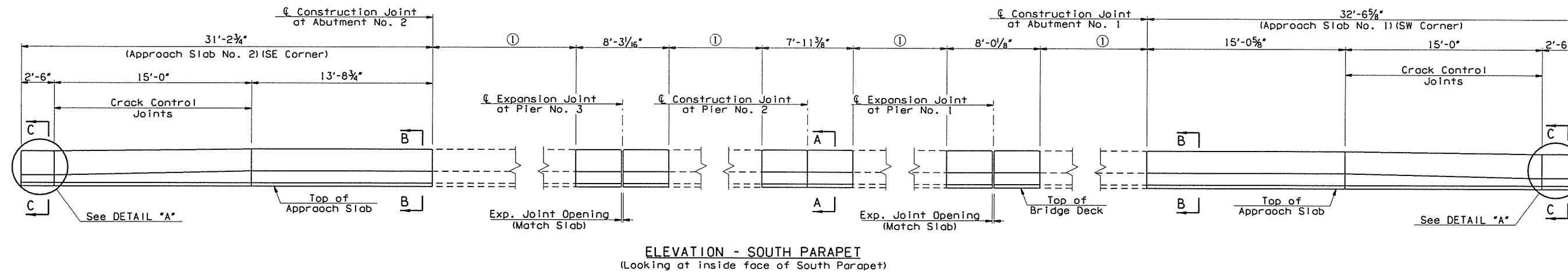
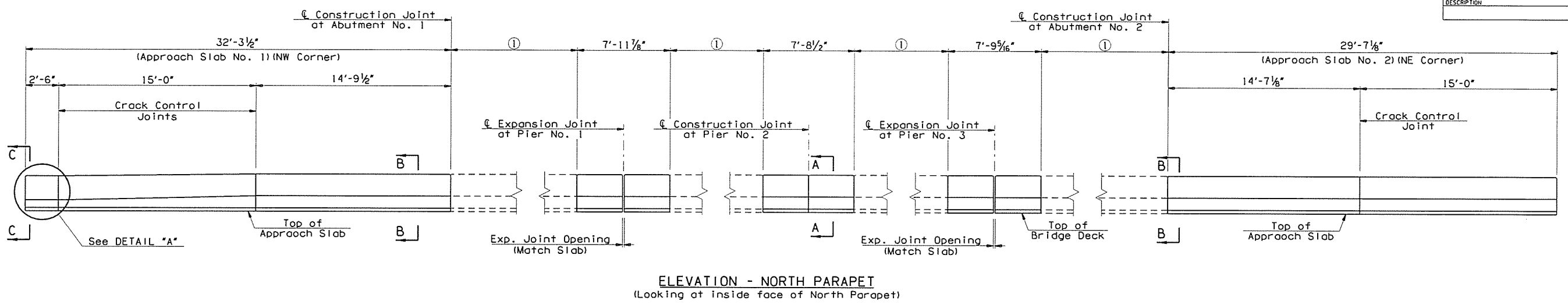


OKLAHOMA DEPARTMENT OF TRANSPORTATION					
FED. ROAD DIST. NO.	STATE	JOB PIECE NO.	FISCAL YEAR	SHEET NO.	TOTAL SHEETS
X	OKLA.	28872104			
DESCRIPTION					DATE



① Existing Parapet to Remain.
NOTES:
 Dimensions measured along roadway face of Parapet.
 For further information about the Joint replacement at Piers, see Sheet Nos. 38 - 41.
 Field Bend EPI Bars to maintain clear distances.

I-44 EB OVER S 38TH W AVE TULSA COUNTY		DESIGN	JMO	10/15
& TSU RR BRIDGE 'B'		DETAIL	SJL	10/15
SUPERSTRUCTURE DETAILS (SHEET 5 OF 5)		CHECK	BRT	11/15
		GARVER		
STATE OF OKLAHOMA	DEPARTMENT OF TRANSPORTATION			
	JOB PIECE NO. 28872104	SHEET NO. 42		