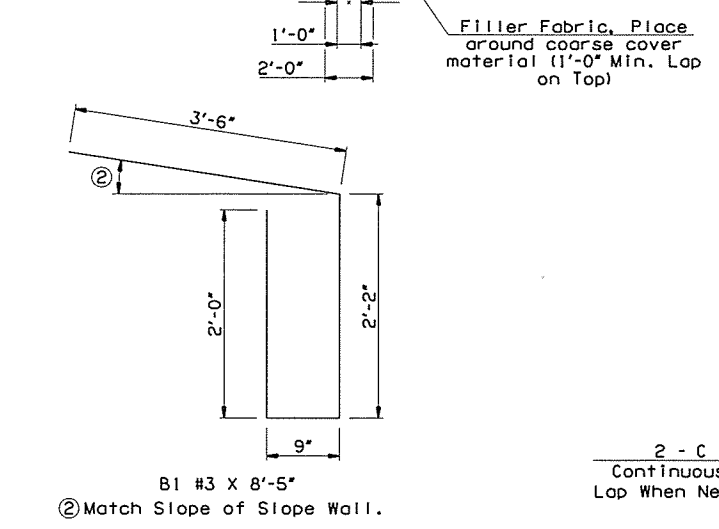
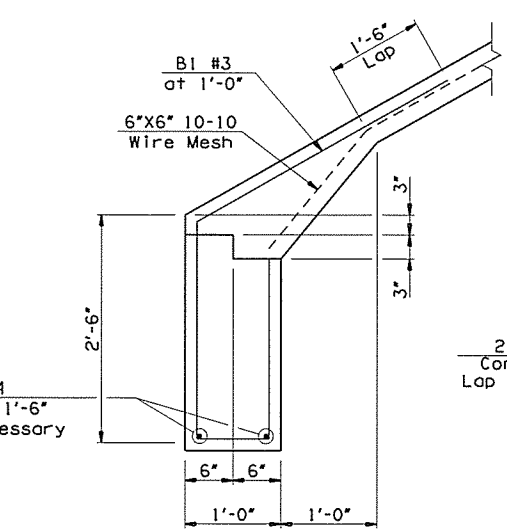


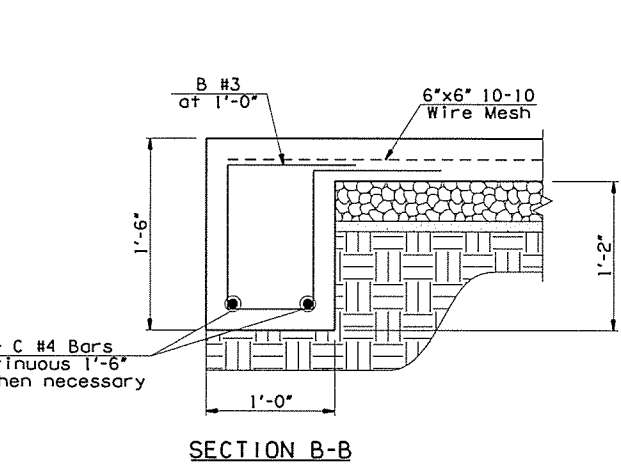
SECTION A-A



DETAIL "A"



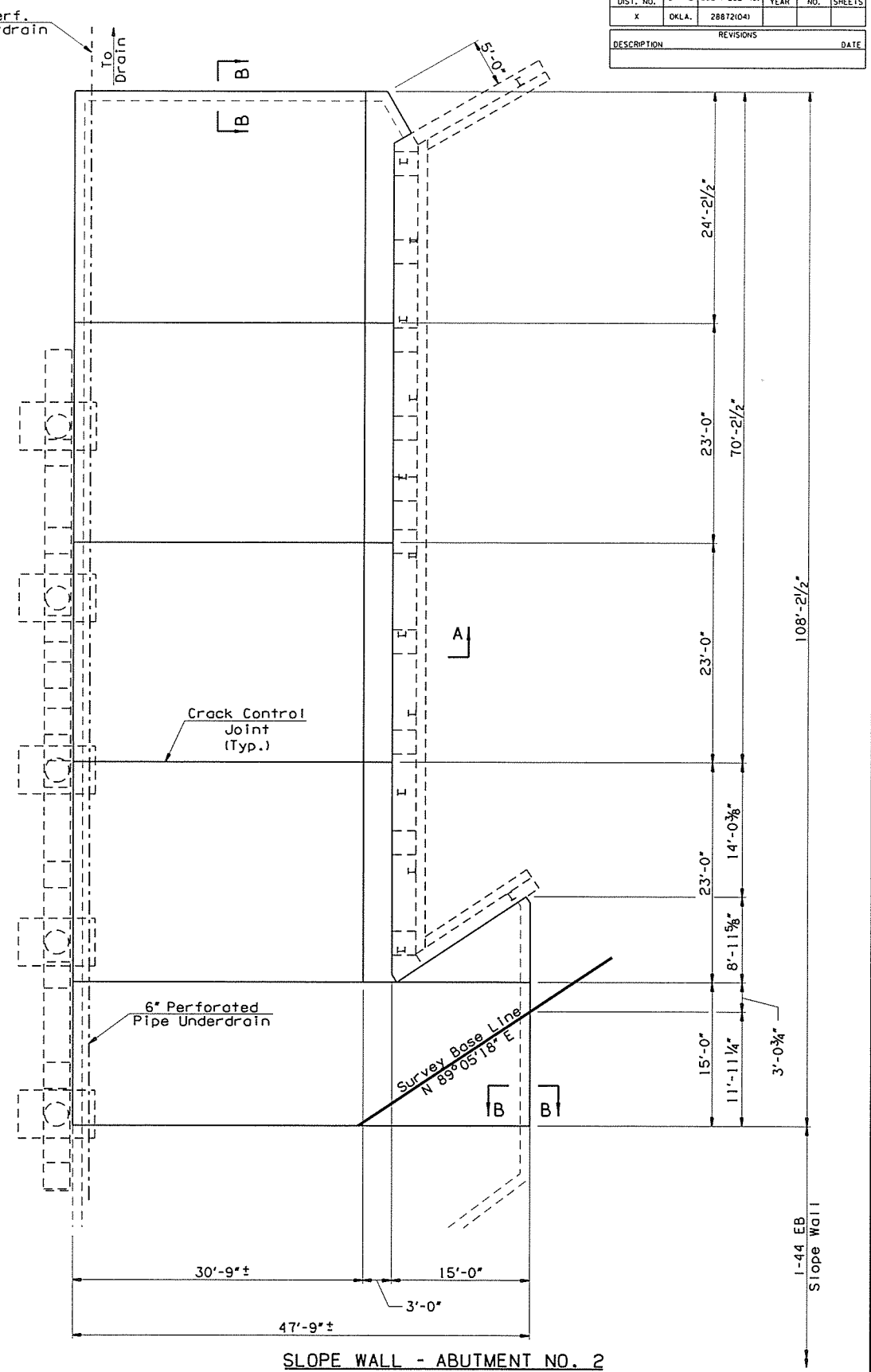
DETAIL "B"



SECTION B-B

SUMMARY OF QUANTITIES - SLOPE WALL NO. 2		
ITEM	UNIT	TOTAL
③ SLOPE WALL (5')	S.Y.	495.90
6" PERFORATED PIPE UNDERDRAIN ROUND	L.F.	109.00
6" NON-PERF. PIPE UNDERDRAIN RND.	L.F.	20.00

③ All costs of the "SLOPE WALL (5')" installation including Class A concrete, reinforcing steel, lap splices, backer rod, silicone joint sealant, preformed joint filler, polystyrene, filter fabric, excavation, aggregate base (Type A), unclassified backfill, labor, equipment and other incidentals necessary to complete the work as specified on the plans shall be included in the price bid per Square Yard of "SLOPE WALL (5')".



SLOPE WALL - ABUTMENT NO. 2

**LEGEND**  
 6" Perf. Underdrain - - - - -  
 6" Non-Perf. Underdrain - - - - -

1-44 WB OVER S 38TH W AVE	TULSA COUNTY	DESIGN	JMO	10/15
& TSU RR		DETAIL	SJL	10/15
BRIDGE "A"		CHECK	BRT	11/15
<b>GARVER</b>				